

SUNTECH
CLOSURES

TECHNICAL LT
2021^{PLUS}

Complementary closure solutions to be integrated contemporary Suntech product ranges or existing modern structures

Suntech's innovative Closure product range is serving hi-grade side enclosure solutions that can be integrated between any existing structures or pergola systems.

Closure serie is designed to present accomplished combination of minimal lines and functionality while providing visual optimisation.



Closures

- 007 Sapphire
- 017 Cycle
- 029 Swind
- 039 Violet
- 051 Framee
- 061 Slidia
- 073 Doors
- 079 Vertex
- 089 Wallfix

Closures

SAPPHIRE



A new generation of innovative outdoor protection that expands outdoor living areas with its wide panoramic motorised glass panels with perfectly balanced motorised operation

CYCLE



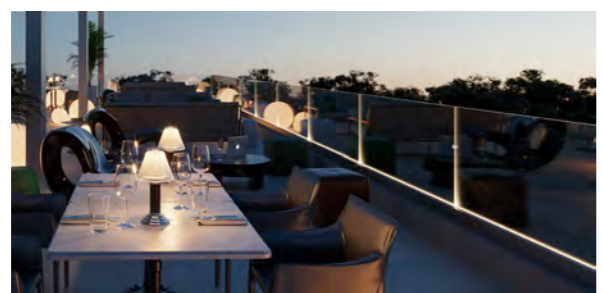
Customized sleek wide panoramic structural glazing solution

SWIND



Windbreaker - Automatic vertical up-down glass panel

VIOLET



Glass balustrade system with elegant and functional design

FRAMEE



Made of fine-framed aluminum profiles with modern design

SLIDIA



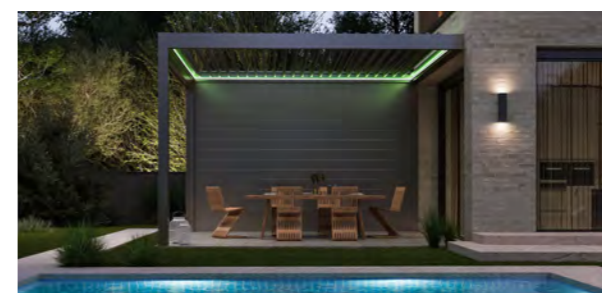
System enables the individual parallel sliding panels to be moved horizontally

VERTEX



Motorised external blind which is extremely durable, practical in use and provides great flexibility for outdoor and indoor living areas

WALLFIX



Aluminium fixed wall privacy with minimal and outstanding design

MORE LUXURY...
MORE PROJECTS...



SAPPHIRE

Explore the stunning new structural glazing solutions with maximized perspectives...

Sapphire is a new generation of innovative outdoor protection that expands outdoor living areas with its wide panoramic motorised glass panels. The system offers a high end fine frame designed guillotine glass system enriched with a perfect combination of luxury and functionality.

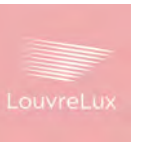
The patented worm shaft technology is supported with creative gearing mechanism that provides high level of safety and eliminates the operational problems with maintenance-free mechanism. Systems can incorporate tempered glazing with exclusive frame, glass type and glass color options. Optional two or three panels configurations are available with perfectly balanced motorised operation by remote control. Thanks to strengthened counterweight movement mechanism motor provides balanced up/down operation and panels can be stacked to either upwards or downwards.

System can be configured to fit and cover various types of areas such as restaurants, terraces, wintergardens, balconies either private or commercial. In addition system can be adapted with Suntech range so if there's a Suntech model to suit you can cover any large open area with side glazing options.

Depending on application, panels can be operated & stacked to suit, either upwards or downwards. Alternative opening-stacking configurations provide an infinite range of spacious living area options.

Thanks to multiple stacking positions, fixed panels can also incorporate the function of balustrades. The position of movable panels can be adjusted according to desired height.

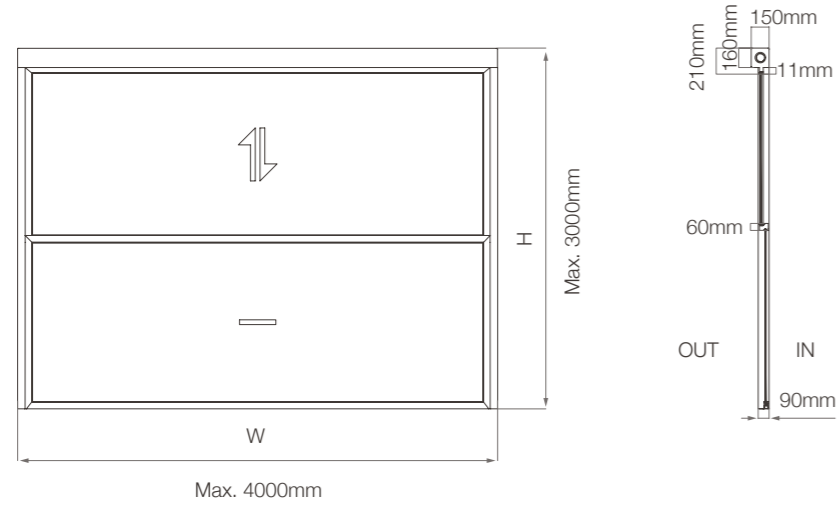




Configurations

2 Panels / Down Parking

Standard Tempered Single Glass 8 / 10mm

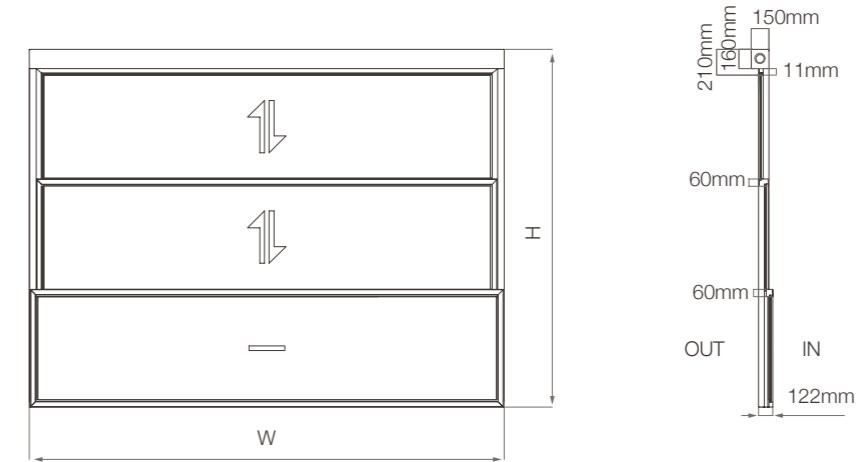


Internal View

Lateral Section

3 Panels / Down Parking

Standard Tempered Single Glass 8 / 10mm

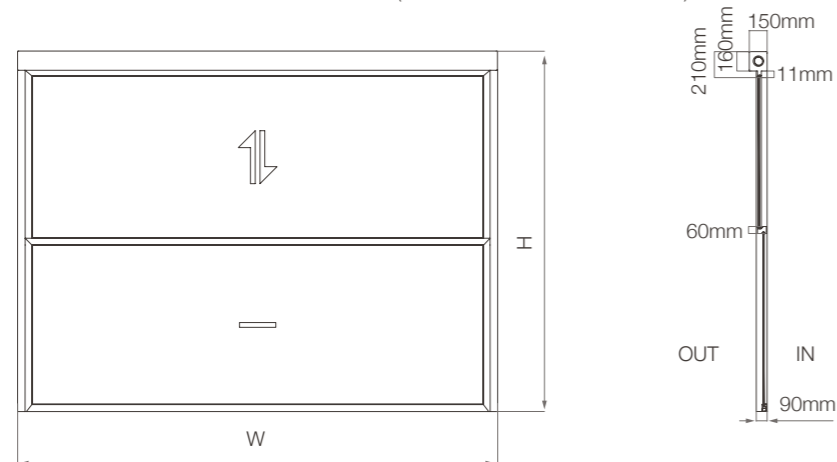


Internal View

Max. W 4000 > H 3000 mm
Max. W 3000 > H 3500 mm

Lateral Section

Insulated Double Glass 4+12+4 mm (width 2000-3000 mm max.)
5+10+5 mm (width 3000-4000 mm max.)

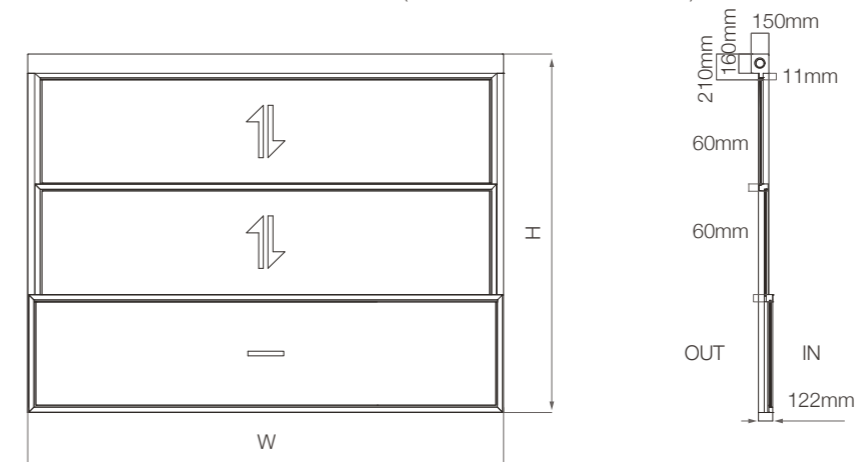


Internal View

Max. W 4000 > H 2500 mm
Max. W 3500 > H 2750 mm
Max. W 3000 > H 3000 mm

Lateral Section

Insulated Double Glass 4+12+4 mm (width 2000-3000 mm max.)
5+10+5 mm (width 3000-4000 mm max.)



Internal View

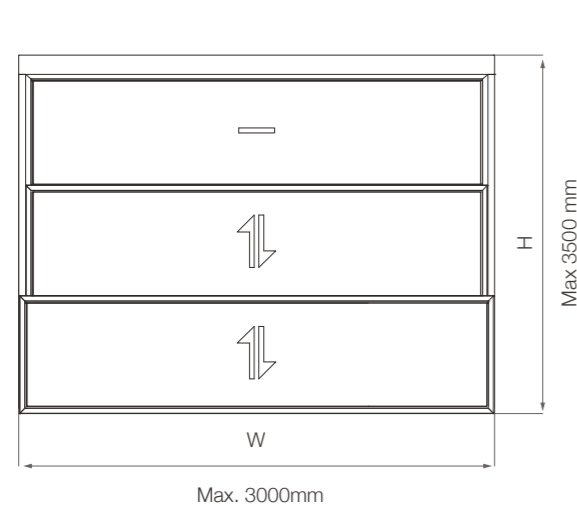
Max. W 4000 > H 3000 mm
Max. W 3000 > H 3500 mm

Lateral Section

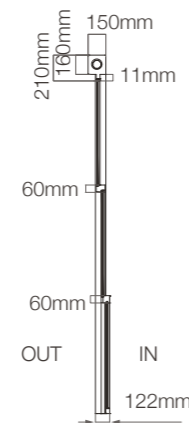
Configurations

3 Panels / Up Parking

Standard Tempered Single Glass 8 / 10mm

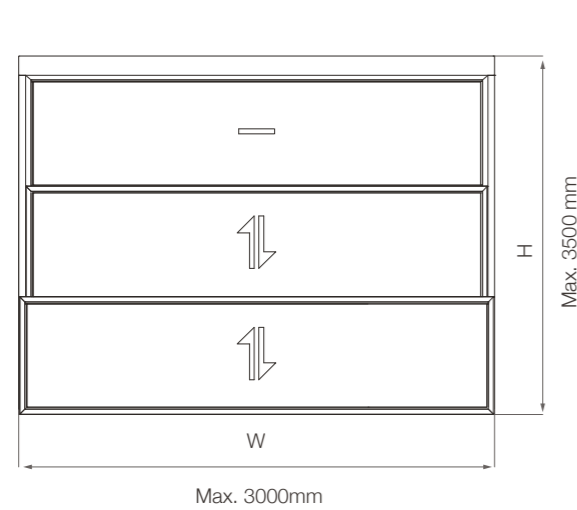


Internal View

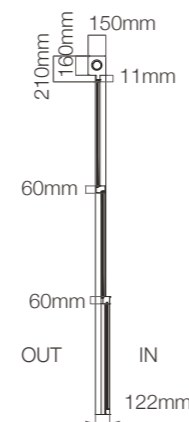


Lateral Section

Insulated Double Glass 4+12+4 mm (width 2000-3000 mm max.)



Internal View



Lateral Section

Worm Shaft Technology



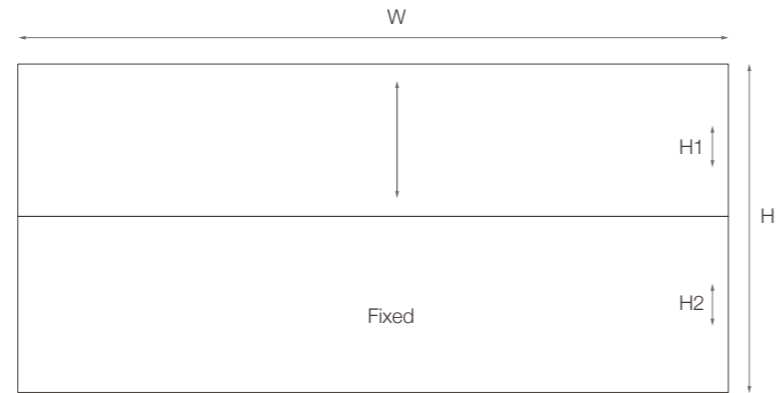
- The patented Worm Shaft technology eliminates the trembling and gives smooth movement even on large dimensions with its maintenance-free mechanism.
- This smart technology provides high degree safety compared to other working mechanism based on belts, ropes.
- Gearbox system transfers the movement from the gear to the worm shaft mechanism and ensures the continuation of the movement.
- System has pure balanced up/down operation thanks to strengthened counterweight movement mechanism. Second panel supported by three-wheeled slider and ensures vibration-free movement.
- Depending on application, panels can be operated & stacked either upwards or downwards. Alternative opening-stacking configurations provide various range of spacious living area options.

Company Name:
Order Reference:

Order Date:

DIMENSIONS

Width :.....mm Height :.....mm Quantity :.....pc
 W :.....mm H :.....mm Q :.....pc
 : : :
 : : :



If panels are in different height,
please provide details.
(H1 ≤ H2)

H1 :.....mm
H2 :.....mm

*Only down position parking is available.

GLASS TYPES

- Single Glass
 - 8mm 10mm
- Double Glass (4+12+4mm / 5+10+5mm)
- Preassembled Frame Without Glass
 - 8mm 10mm 4+12+4mm/5+10+5mm

POWDER-COAT COLORS

- | RAL colors | Exclusive colors | Texture colors | |
|-------------------------------|--------------------------------|---------------------------------|------------------------------------|
| <input type="checkbox"/> 9016 | <input type="checkbox"/> OGN35 | <input type="checkbox"/> ST9010 | <input type="checkbox"/> Other ... |
| <input type="checkbox"/> 1013 | <input type="checkbox"/> OS561 | <input type="checkbox"/> ST9001 | |
| <input type="checkbox"/> 9006 | <input type="checkbox"/> OY395 | <input type="checkbox"/> ST1013 | |
| <input type="checkbox"/> 7006 | <input type="checkbox"/> OGN39 | <input type="checkbox"/> ST7039 | |
| <input type="checkbox"/> 7016 | <input type="checkbox"/> ON617 | <input type="checkbox"/> ST7016 | |
| <input type="checkbox"/> 9005 | <input type="checkbox"/> ON611 | <input type="checkbox"/> ST8019 | |

GLASS COLORS

- TR22 / Transparent
- SM33 / Smoked
- GN44 / Green
- BL55 / Blue
- BR66 / Bronze
- Other.....

AUTOMATION

- | | | |
|--|---|---|
| <input type="checkbox"/> SWITCH CONTROL | <input type="checkbox"/> REMOTE CONTROL | <input type="checkbox"/> SMART CONTROL |
| <input type="checkbox"/> Inis Keo.....pc | <input type="checkbox"/> Telis 1 Pure RTS.....pc | <input type="checkbox"/> Situo 1 IO Pure.....pc |
| <input type="checkbox"/> Inis Duo.....pc | <input type="checkbox"/> Telis 4 Pure RTS.....pc | <input type="checkbox"/> Situo 5 IO Pure.....pc |
| | <input type="checkbox"/> Telis 16 Pure RTS.....pc | <input type="checkbox"/> NINA IO.....pc |
| | | <input type="checkbox"/> Thamo New Box.....pc |
| | | <input type="checkbox"/> Connexoon Box.....pc |

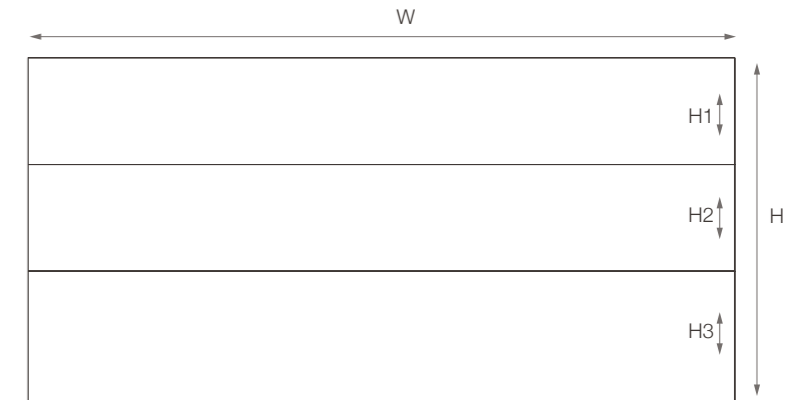
ADDITIONAL NOTES & DRAWINGS ATTACHED

Company Name:
Order Reference:

Order Date:

DIMENSIONS

Width :.....mm Height :.....mm Quantity :.....pc
 W :.....mm H :.....mm Q :.....pc
 : : :
 : : :



PARKING

- Down
(H1 ≤ H2 ≤ H3)
- Up
(H3 ≤ H2 ≤ H1)
*Available with max. 3000mm width
- If panels are in different height,
please provide details.

H1 :.....mm
H2 :.....mm
H3 :.....mm

GLASS TYPES

- Single Glass
 - 8mm 10mm
- Double Glass (4+12+4mm / 5+10+5mm)
- Preassembled Frame Without Glass
 - 8mm 10mm 4+12+4mm/5+10+5mm

POWDER-COAT COLORS

- | RAL colors | Exclusive colors | Texture colors | |
|-------------------------------|--------------------------------|---------------------------------|------------------------------------|
| <input type="checkbox"/> 9016 | <input type="checkbox"/> OGN35 | <input type="checkbox"/> ST9010 | <input type="checkbox"/> Other ... |
| <input type="checkbox"/> 1013 | <input type="checkbox"/> OS561 | <input type="checkbox"/> ST9001 | |
| <input type="checkbox"/> 9006 | <input type="checkbox"/> OY395 | <input type="checkbox"/> ST1013 | |
| <input type="checkbox"/> 7006 | <input type="checkbox"/> OGN39 | <input type="checkbox"/> ST7039 | |
| <input type="checkbox"/> 7016 | <input type="checkbox"/> ON617 | <input type="checkbox"/> ST7016 | |
| <input type="checkbox"/> 9005 | <input type="checkbox"/> ON611 | <input type="checkbox"/> ST8019 | |

GLASS COLORS

- TR22 / Transparent
- SM33 / Smoked
- GN44 / Green
- BL55 / Blue
- BR66 / Bronze
- Other.....

AUTOMATION

- | | | |
|--|---|---|
| <input type="checkbox"/> SWITCH CONTROL | <input type="checkbox"/> REMOTE CONTROL | <input type="checkbox"/> SMART CONTROL |
| <input type="checkbox"/> Inis Keo.....pc | <input type="checkbox"/> Telis 1 Pure RTS.....pc | <input type="checkbox"/> Situo 1 IO Pure.....pc |
| <input type="checkbox"/> Inis Duo.....pc | <input type="checkbox"/> Telis 4 Pure RTS.....pc | <input type="checkbox"/> Situo 5 IO Pure.....pc |
| | <input type="checkbox"/> Telis 16 Pure RTS.....pc | <input type="checkbox"/> NINA IO.....pc |
| | | <input type="checkbox"/> Thamo New Box.....pc |
| | | <input type="checkbox"/> Connexoon Box.....pc |

ADDITIONAL NOTES & DRAWINGS ATTACHED



Technical Details

2 Panels



Description	Glazing Type
Glazing	Standard 8mm Tempered / Optional 10mm Tempered and 4+12+4mm/5+10+5mm Insulated.
Max. movable glazed frame weight	110kg
Max. height	300cm
Max. width	400cm (Min width :120cm)
Max. size	12 sqm
Surface finish	Electrostatic powder-coating
Motor type	220 VAC 50/60Hz Tubular motor 85NM or 120NM Direct Drive
Control	Switch, remote or smart control options

Description	Glazing Type
Standard Glazing	8mm Tempered Clear Glass
Large Span Glazing	10mm Tempered Clear Glass
Double Insulated Glazing	4mm T + 12mm air gap + 4mm T 5mm T + 10mm air gap + 5mm T

3 Panels



Description	Glazing Type
Glazing	Standard 8mm Tempered / Optional 10mm Tempered and 4+12+4mm/5+10+5mm Insulated.
Max. movable glazed frame weight	220kg
Max. height	350cm
Max. width	400cm (Min width :120cm)
Max. size	12 sqm
Surface finish	Electrostatic powder-coating
Motor type	220 VAC 50/60Hz Tubular motor 85NM or 120NM Direct Drive
Control	Switch, remote or smart control options

Description	Glazing Type
Standard Glazing	8mm Tempered Clear Glass
Large Span Glazing	10mm Tempered Clear Glass
Double Insulated Glazing	4mm T + 12mm air gap + 4mm T 5mm T + 10mm air gap + 5mm T

CYCLE



Adequate comfort of panoramic transparency

Cycle is a vertical guillotine glass system with chain mechanism that is a culmination of this widely utilized modern design concept ensuring maximum transparency and excellent performance with its wide panoramic motorised glass panels.

Flawless design aesthetics offering a smart solution to numerous architectural requirements with simple and contemporary architectural design. The minimal aluminum frame of structure provides availability for an expanded and visually unobstructed perspective.

Cycle can be configured to fit various applications in commercial spaces such as restaurants, hotels, cafes as well as in residential applications.

System features striking elegance and unique facade configurations with its clear and precise lines creating a minimal look and offer a panoramic view in any kind of weather condition.

The movable panels are slid either upwards or downwards and parked behind fixed panel which forms a glass parapet.

Thanks to the full thermal break within the frame and the high specification of glazing used, these guillotine windows have high level of thermal insulation, solar protection and transparency. Different number of glass options are available to provide the needed specific performance.

The system is operated by chain mechanism for ultra-simple control. The motorization of system is fully hidden.

To ensure complete safety, system stops when it meets with an obstacle thanks to smart sensor technology that contributes the safety precautions and make the system highly dependable, durable and performing product.

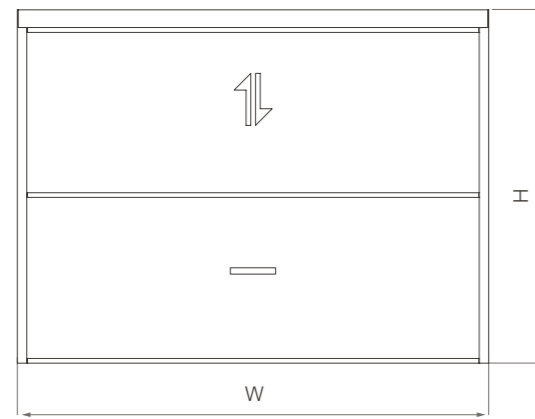
Additionally smart home automation systems can be integrated as well switch and remote control options, with a touch of a button you can create your desired ambience.



Configurations

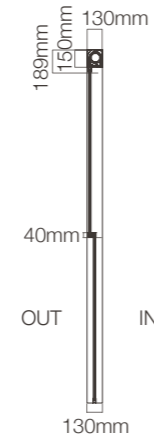
2 Panels / Down Parking

Insulated Double Glass 5+11+5 mm



Internal View

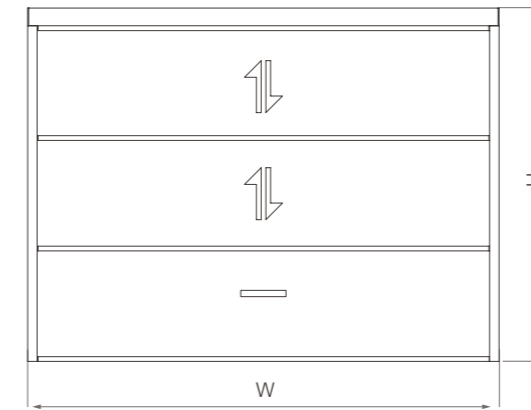
Max. W 4000 H 2500 mm
Max. W 3500 H 2750 mm
Max. W 3000 H 3000 mm



Lateral Section

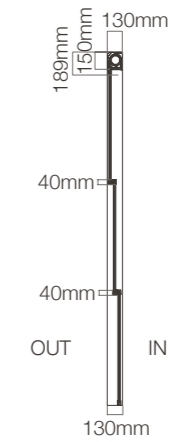
3 Panels / Down Parking

Insulated Double Glass 5+11+5 mm



Internal View

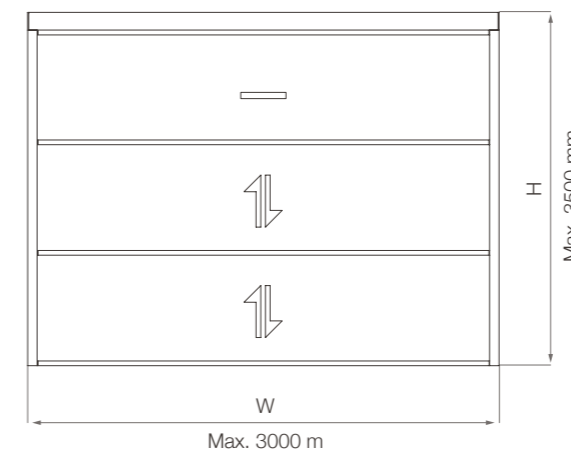
Max. W 4000 H 3000 m
Max. W 3000 H 3500 mm



Lateral Section

3 Panels / Up Parking

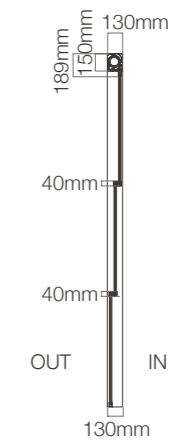
Insulated Double Glass 5+11+5 mm



Internal View

Max. 3000 m

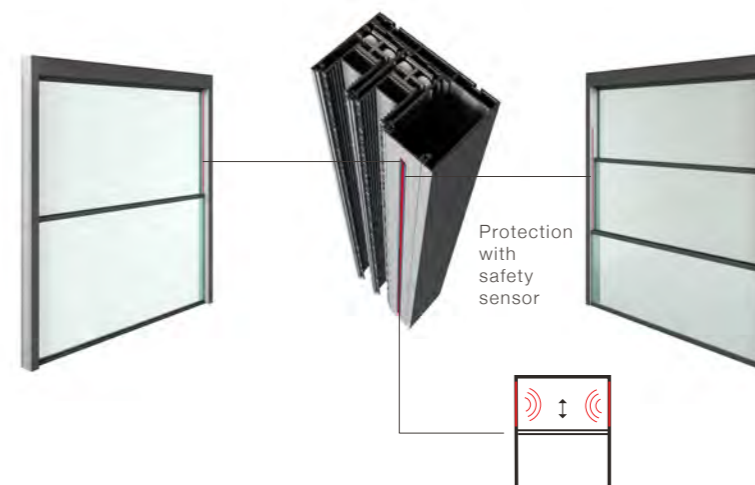
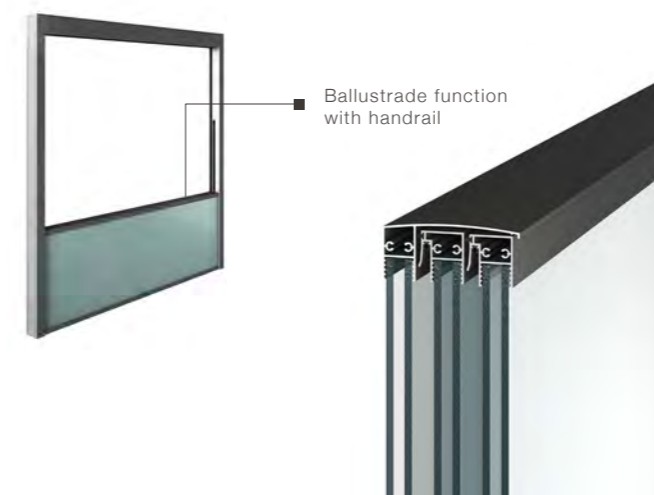
Max. 3500 mm



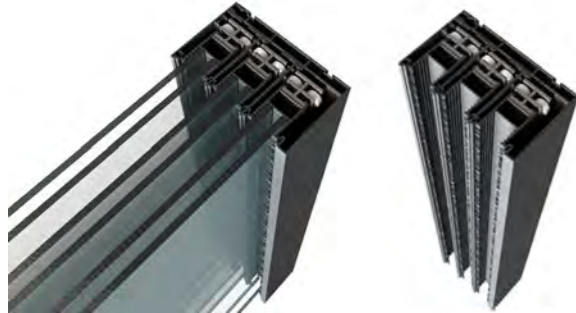
Lateral Section



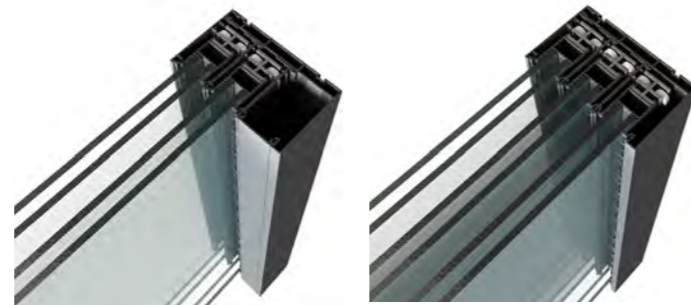
Cycle Guillotine Glass System
 Cycle offers a maximum clear span that provides unobstructed view & minimalistic style. The system is operated by just the touch of button.



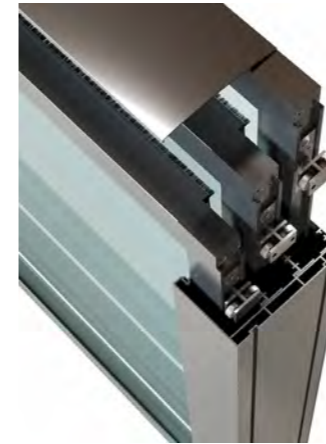
with & without glass options



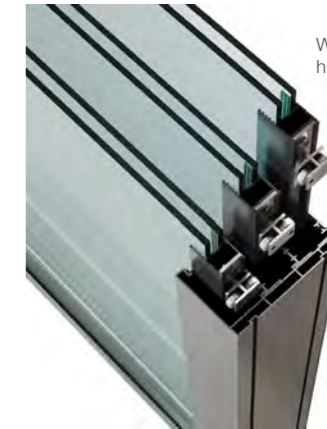
2 & 3 panels options



Combination of compact design and high-tech engineering



Wide clear span with hidden panel frames



Compact guide profile consisting of four parts for easy assembly & disassembly

Fully hidden strengthened counterweight movement mechanism



Safety stopper guide

Fully hidden motor drive

Rubber cord and brush for high level insulation



Guide rollers for optimum and smooth running



5+11+5mm tempered insulated double glass

Rubber cord and brush for high level insulation and resistance between glass panels connection

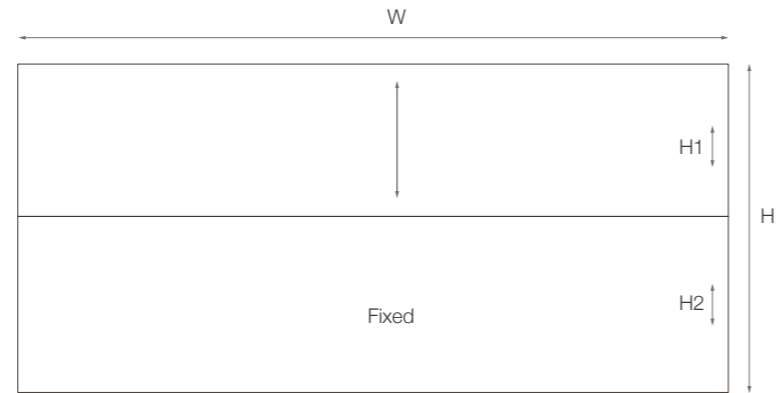


Company Name:
Order Reference:

Order Date:

DIMENSIONS

Width :.....mm Height :.....mm Quantity :.....pc
 W :.....mm H :.....mm Q :.....pc
 :
 :



If panels are in different height,
please provide details.
(H1 ≤ H2)

 H1 :.....mm
 H2 :.....mm

*Only down position parking is available.

GLASS OPTION

With Glass
 Preassembled Frame Without Glass
 (5+11+5mm)

POWDER-COAT COLORS

RAL colors	Exclusive colors	Texture colors	<input type="checkbox"/> Other ...
<input type="checkbox"/> 9016	<input type="checkbox"/> OGN35	<input type="checkbox"/> ST9010	
<input type="checkbox"/> 1013	<input type="checkbox"/> OS561	<input type="checkbox"/> ST9001	
<input type="checkbox"/> 9006	<input type="checkbox"/> OY395	<input type="checkbox"/> ST1013	
<input type="checkbox"/> 7006	<input type="checkbox"/> OGN39	<input type="checkbox"/> ST7039	
<input type="checkbox"/> 7016	<input type="checkbox"/> ON617	<input type="checkbox"/> ST7016	
<input type="checkbox"/> 9005	<input type="checkbox"/> ON611	<input type="checkbox"/> ST8019	

GLASS COLORS

TR22 / Transparent
 SM33 / Smoked
 GN44 / Green
 BL55 / Blue
 BR66 / Bronze
 Other.....

AUTOMATION

<input type="checkbox"/> SWITCH CONTROL	<input type="checkbox"/> REMOTE CONTROL	<input type="checkbox"/> SMART CONTROL
<input type="checkbox"/> Inis Keo.....pc	<input type="checkbox"/> Telis 1 Pure RTS.....pc	<input type="checkbox"/> Situo 1 IO Pure.....pc
<input type="checkbox"/> Inis Duo.....pc	<input type="checkbox"/> Telis 4 Pure RTS.....pc	<input type="checkbox"/> Situo 5 IO Pure.....pc
	<input type="checkbox"/> Telis 16 Pure RTS.....pc	<input type="checkbox"/> NINA IO.....pc
		<input type="checkbox"/> Thamo New Box.....pc
		<input type="checkbox"/> Connexoon Box.....pc

OPTIONAL

SAFETY SENSOR

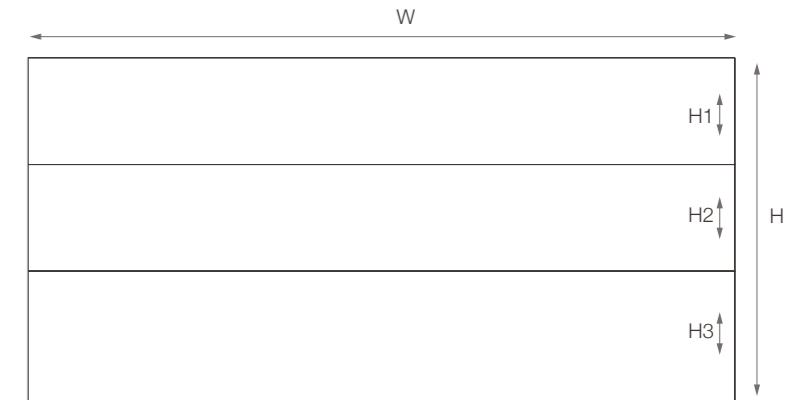
ADDITIONAL NOTES & DRAWINGS ATTACHED

Company Name:
Order Reference:

Order Date:

DIMENSIONS

Width :.....mm Height :.....mm Quantity :.....pc
 W :.....mm H :.....mm Q :.....pc
 :
 :



PARKING

Down
 (H1 ≤ H2 ≤ H3)
 Up
 (H3 ≤ H2 ≤ H1)
 *Available with max. 3000mm width
 If panels are in different height,
please provide details.

 H1 :.....mm
 H2 :.....mm
 H3 :.....mm

GLASS OPTION

With Glass
 Without Glass

* Glass is 5+11+5MM

POWDER-COAT COLORS

RAL colors	Exclusive colors	Texture colors	<input type="checkbox"/> Other ...
<input type="checkbox"/> 9016	<input type="checkbox"/> OGN35	<input type="checkbox"/> ST9010	
<input type="checkbox"/> 1013	<input type="checkbox"/> OS561	<input type="checkbox"/> ST9001	
<input type="checkbox"/> 9006	<input type="checkbox"/> OY395	<input type="checkbox"/> ST1013	
<input type="checkbox"/> 7006	<input type="checkbox"/> OGN39	<input type="checkbox"/> ST7039	
<input type="checkbox"/> 7016	<input type="checkbox"/> ON617	<input type="checkbox"/> ST7016	
<input type="checkbox"/> 9005	<input type="checkbox"/> ON611	<input type="checkbox"/> ST8019	

GLASS COLORS

TR22 / Transparent
 SM33 / Smoked
 GN44 / Green
 BL55 / Blue
 BR66 / Bronze
 Other.....

AUTOMATION

<input type="checkbox"/> SWITCH CONTROL	<input type="checkbox"/> REMOTE CONTROL	<input type="checkbox"/> SMART CONTROL
<input type="checkbox"/> Inis Keo.....pc	<input type="checkbox"/> Telis 1 Pure RTS.....pc	<input type="checkbox"/> Situo 1 IO Pure.....pc
<input type="checkbox"/> Inis Duo.....pc	<input type="checkbox"/> Telis 4 Pure RTS.....pc	<input type="checkbox"/> Situo 5 IO Pure.....pc
	<input type="checkbox"/> Telis 16 Pure RTS.....pc	<input type="checkbox"/> NINA IO.....pc
		<input type="checkbox"/> Thamo New Box.....pc
		<input type="checkbox"/> Connexoon Box.....pc

OPTIONAL

SAFETY SENSOR

ADDITIONAL NOTES & DRAWINGS ATTACHED



Technical Details

2 Panels



Description	Glazing Type
Glazing	5+11+5mm Insulated.
Max. movable glazed frame weight	110kg
Max. height	300cm
Max. width	400cm (Min width :120cm)
Max. size	12 sqm
Surface finish	Electrostatic powder-coating
Motor type	220 VAC 50/60Hz Tubular motor 85NM or 120NM Direct Drive
Control	Switch, remote or smart control options

Description	Glazing Type
Double Insulated Glazing	5mm T + 11mm air gap + 5mm T

3 Panels



Description	Glazing Type
Glazing	5+11+5mm Insulated.
Max. movable glazed frame weight	220kg
Max. height	350cm
Max. width	400cm (Min width :120cm)
Max. size	12 sqm
Surface finish	Electrostatic powder-coating
Motor type	220 VAC 50/60Hz Tubular motor 85NM or 120NM Direct Drive
Control	Switch, remote or smart control options

Description	Glazing Type
Double Insulated Glazing	5mm T + 11mm air gap + 5mm T

SWIND Windbreaker

Definition of outdoor areas with wider panoramas

Swind has a simple and functional wind breaker design concept that expands your terrace, patio or open-air spaces to shield outdoor living areas by offering adequate wind breaking with the option of total transparency.

System is mostly preferred at restaurants, cafes and terraces either private or commercial as an automatic vertical up-down glass separator for outdoor spaces, besides fixed panel can also incorporate the function of balustrade. Thanks to led stripe dimmer lighting integrated side frame the fixed panel assigns distinctive appeal.

The system is modular and completely flexible as there are no limits in the horizontal direction that can be used to surround spaces of all types and sizes. There are no vertical struts between moveable and fix panels that provides unobstructed view. The modules can be moved up-down individually or in groups by remote control and the position of movable panels can be adjusted according to desired height. The system can be fixed on the ground or can be portable with the wheeled base option, also a decorative harmony can be ensured with plant pot integration.

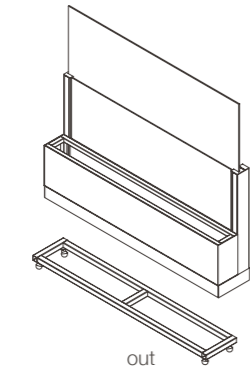
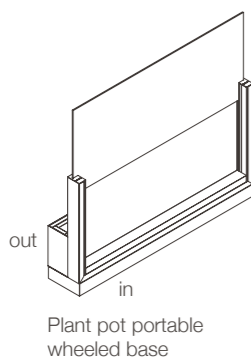
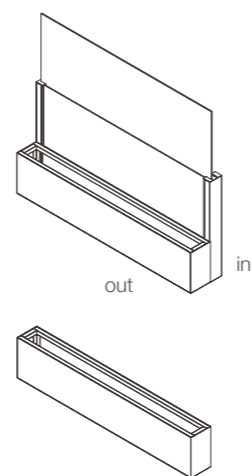
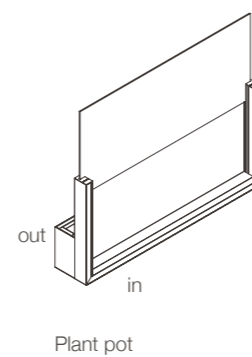
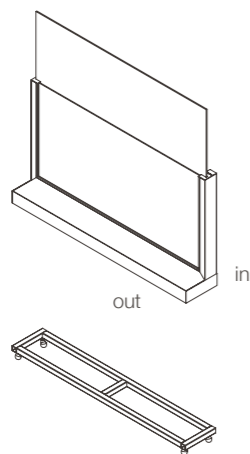
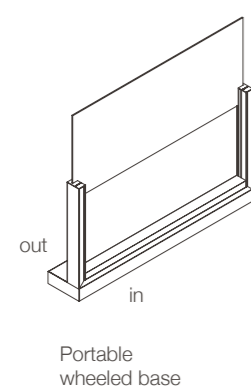
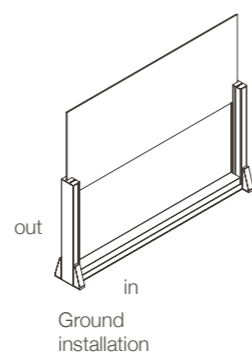
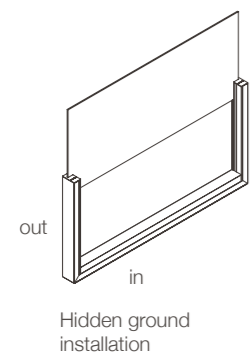




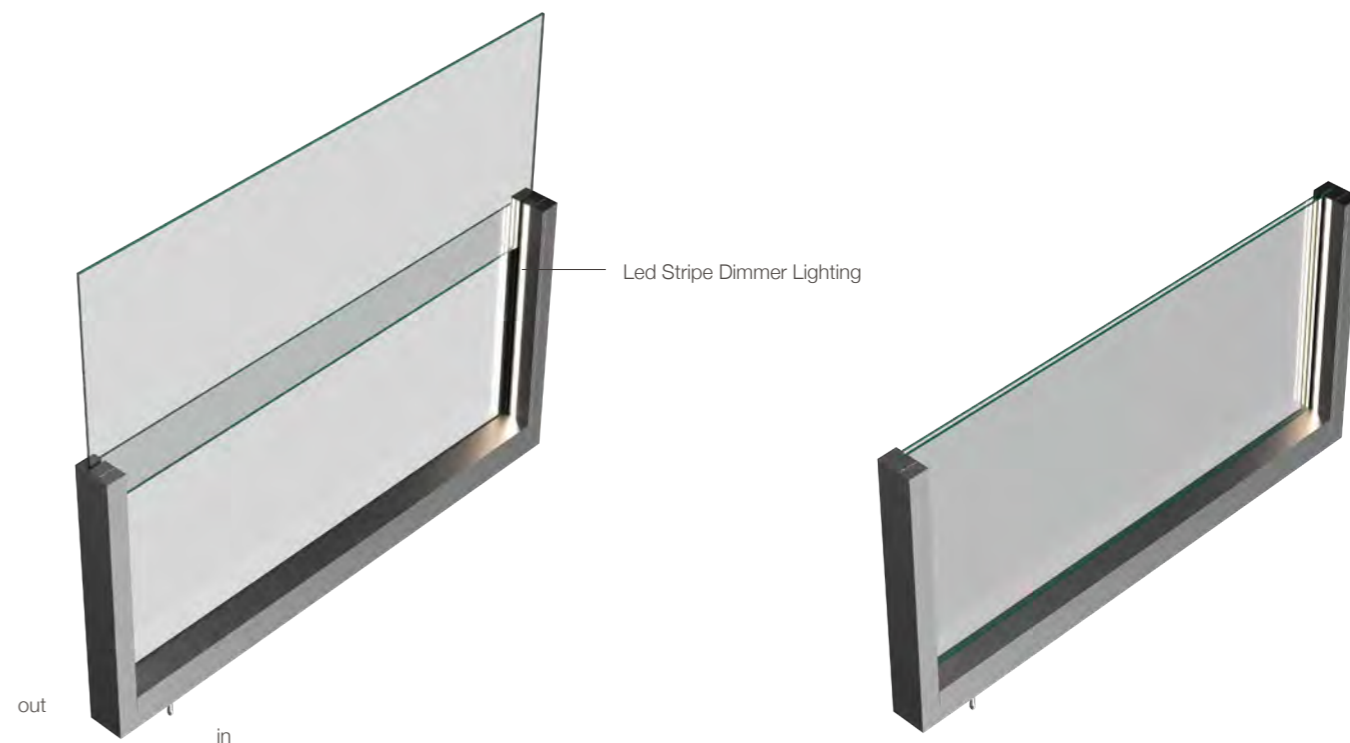
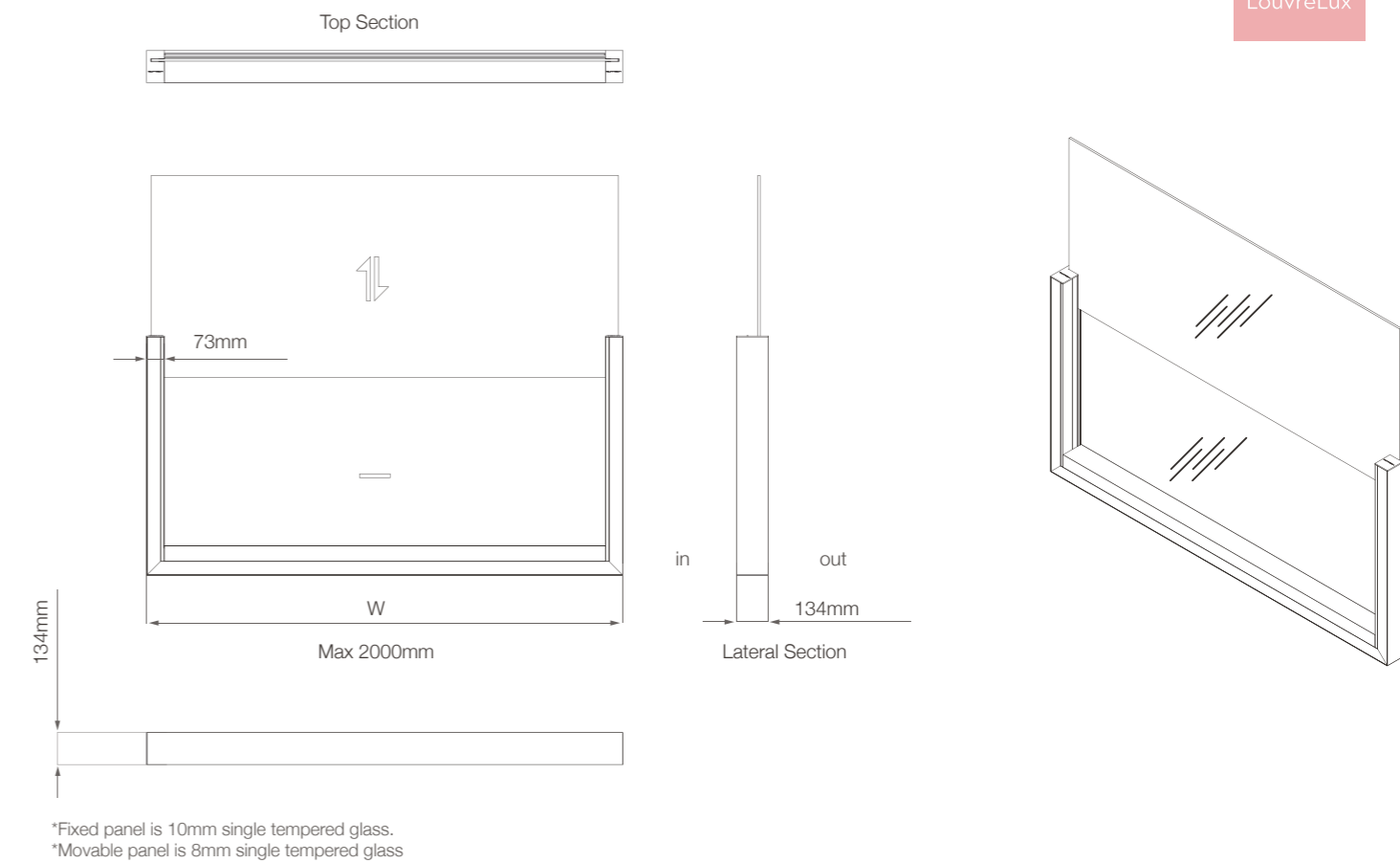
Led Stripe Dimmer Lighting illuminates all around the system and creates a warm atmosphere. Dimmable Soft Led Stripe lighting on sides within the structure provides intensity of day light or cool white options.

■ Led Stripe Dimmer Lighting

Installation & Base Options



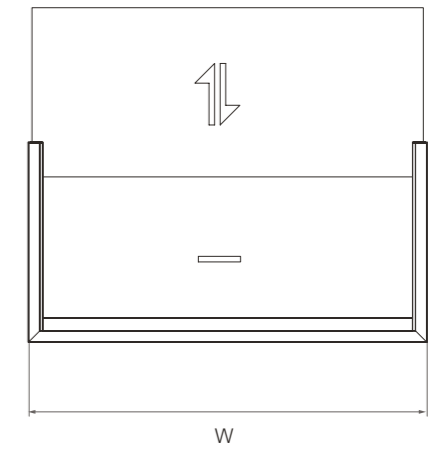
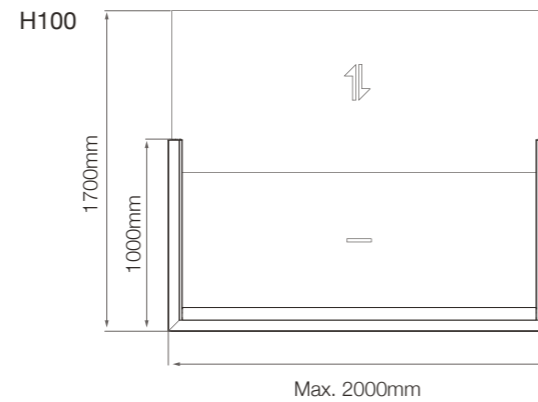
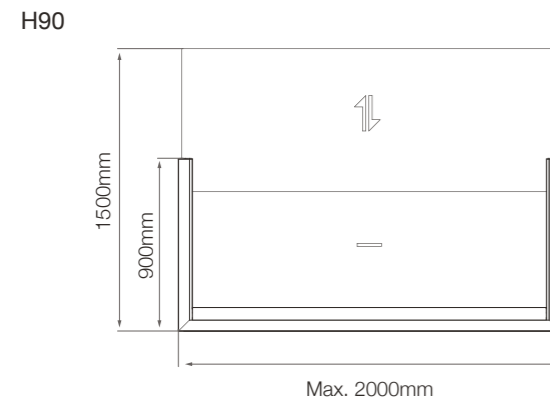
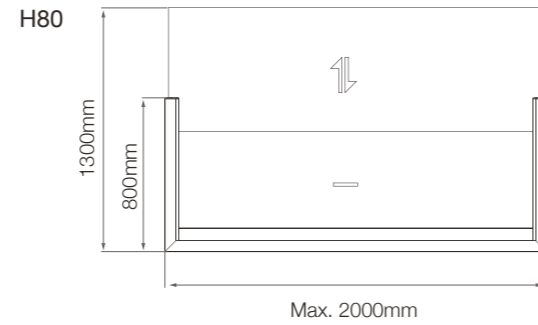
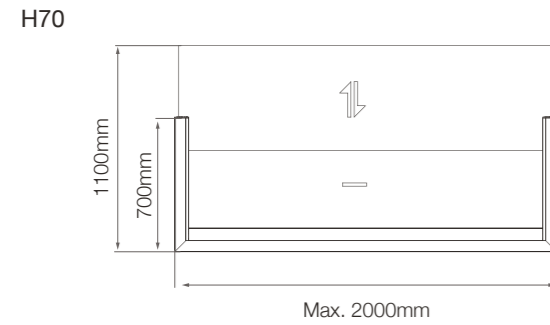
Section Details



Configurations

Company Name:
Order Reference:

Order Date:



CONFIGURATIONS

- H70 H90
 H80 H100

DIMENSIONS

Width :mm Quantity :pc

W :mm Q :pc

·
·
·

* Fixed panel is 10mm single, movable panel is 8mm single tempered glass

- With Glass
 Without Glass

POWDER-COAT COLORS

RAL colors	Exclusive colors	Texture colors	
<input type="checkbox"/> 9016	<input type="checkbox"/> OGN35	<input type="checkbox"/> ST9010	<input type="checkbox"/> Other ...
<input type="checkbox"/> 1013	<input type="checkbox"/> OS561	<input type="checkbox"/> ST9001	
<input type="checkbox"/> 9006	<input type="checkbox"/> OY395	<input type="checkbox"/> ST1013	
<input type="checkbox"/> 7006	<input type="checkbox"/> OGN39	<input type="checkbox"/> ST7039	
<input type="checkbox"/> 7016	<input type="checkbox"/> ON617	<input type="checkbox"/> ST7016	
<input type="checkbox"/> 9005	<input type="checkbox"/> ON611	<input type="checkbox"/> ST8019	

GLASS COLORS

- TR22 / Transparent
 SM33 / Smoked
 GN44 / Green
 BL55 / Blue
 BR66 / Bronze
 Other.....

OPTIONAL

- Led Stripe Dimmer Lighting
 Cool White - 5100K
 Day Light - 2800K
 Ground Installation (Inox)
 Portable Wheeled Base
 Plant Pot
 Plant Pot Portable Wheeled Base

AUTOMATION

- SWITCH CONTROL REMOTE CONTROL
 Inis Keo.....pc Telis 1 Pure RTS.....pc
 Inis Duo.....pc Telis 4 Pure RTS.....pc
 Telis 16 Pure RTS.....pc

ADDITIONAL NOTES & DRAWINGS ATTACHED

Technical Details



Glazing	Fixed panel 10 mm tempered single glass Up-down panel 8 mm tempered single glass
Max. width for single module	2000 mm
Max. height for single module	1000 mm (fixed) + 700 mm (up-down)
Max. movable glazed frame weight	50 kg
Fixed panel glass dimension	10 mm single tempered
Movable panel glass dimension	8 mm single tempered
Frame profile dimension	134x73 mm
Surface finish	Electrostatic powder-coating
Motor type	220 VAC 50 Hz double shaft direct drive
Control system	Switch, remote control options
Automation	included
Control Unit	optional
Led Stripe Dimmer lighting	optional
Ground installation (inox)	optional
Wheeled base	optional
Plant pot	optional

VIOLET

Minimal separation way for exteriors...

Violet is a glass balustrade system that can be applied in various application areas with its modern and minimalistic design. System provides the simplicity and elegance demanded by today's world at the same time and creates an effective solution with its straight lines. It is both a safety barrier and protects your living space against wind and various other elements.

When the clean lines of the glass balustrade match with the modern finish it will enable you to have experience of the glass elegance by providing the optimum result as an architectural solution.

Thanks to its transparent appearance, it does not create an obstacle between inside and outside and protects you against external influences with its strong protection effect.

Multiple modules that come side by side with sandwich panel structure and optional handrail preference give you the choice to cover a wider area. With a maximum width of 6 m and a height of 1 m, it can be used comfortably in many different areas such as balcony, terrace, pool side, patio, garden, restaurant and cafe.

Violet is an ideal option for structural glass solutions that creates no obstruction insight through a space with a minimal contemporary finish throughout for use as frameless balustrades.

The stylish lighting solution that can be integrated into the system creates distinguished features.

It enables you to design a minimal, aesthetically neat and functional glass barrier between levels with no visible fixings.

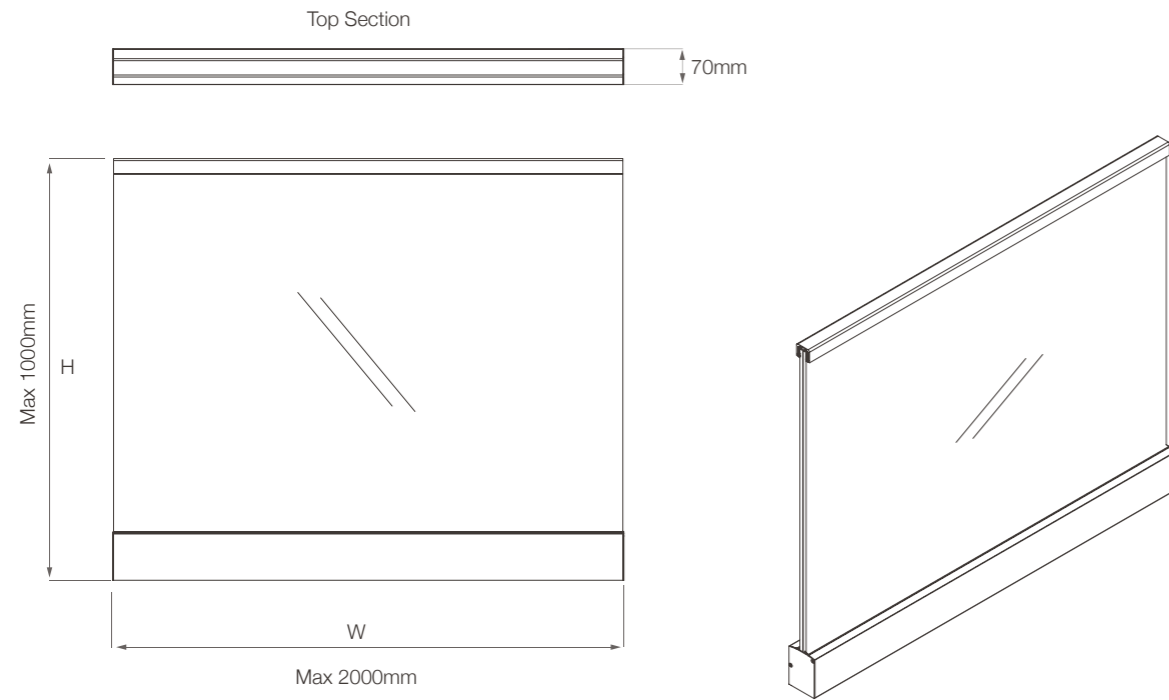




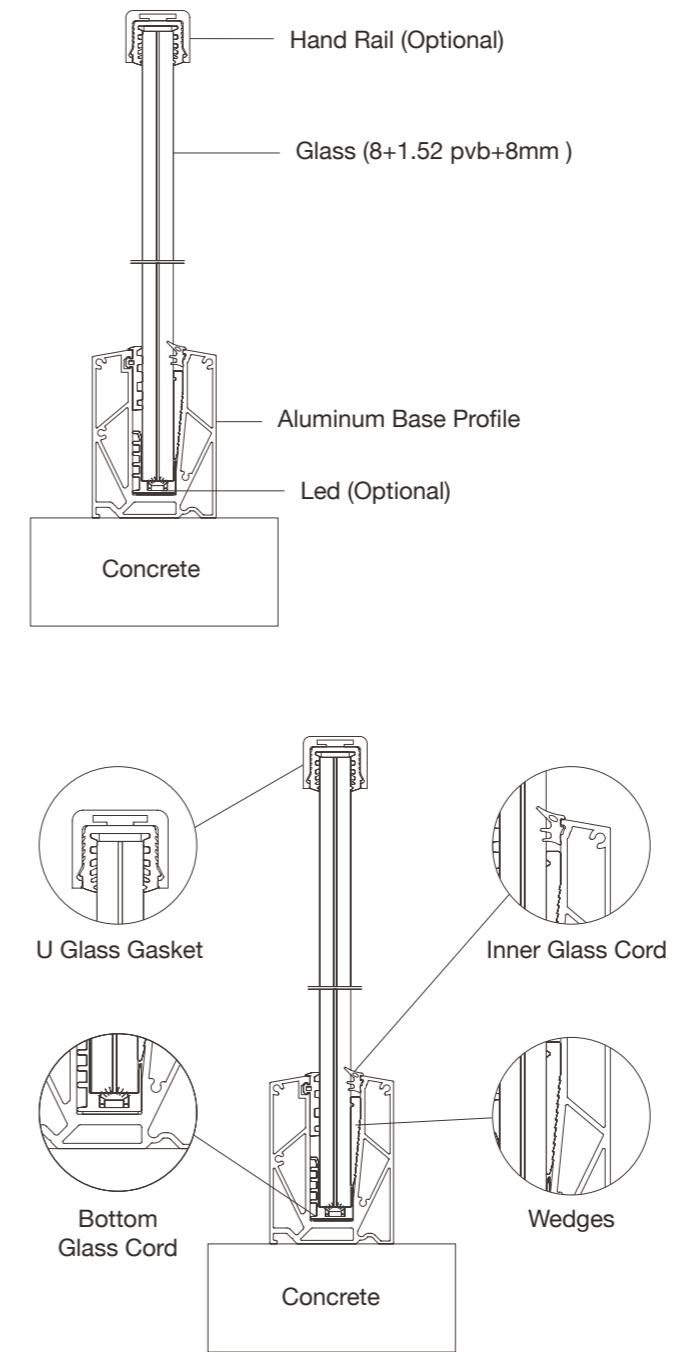
Led Stripe Dimmer Ligting illuminates all around the system and creates a warm atmosphere. Dimmable Soft Led Stripe lighting on sides within the structure provides intensity of day light or cool white options.

■ Led Stripe Dimmer Lighting

Section Details



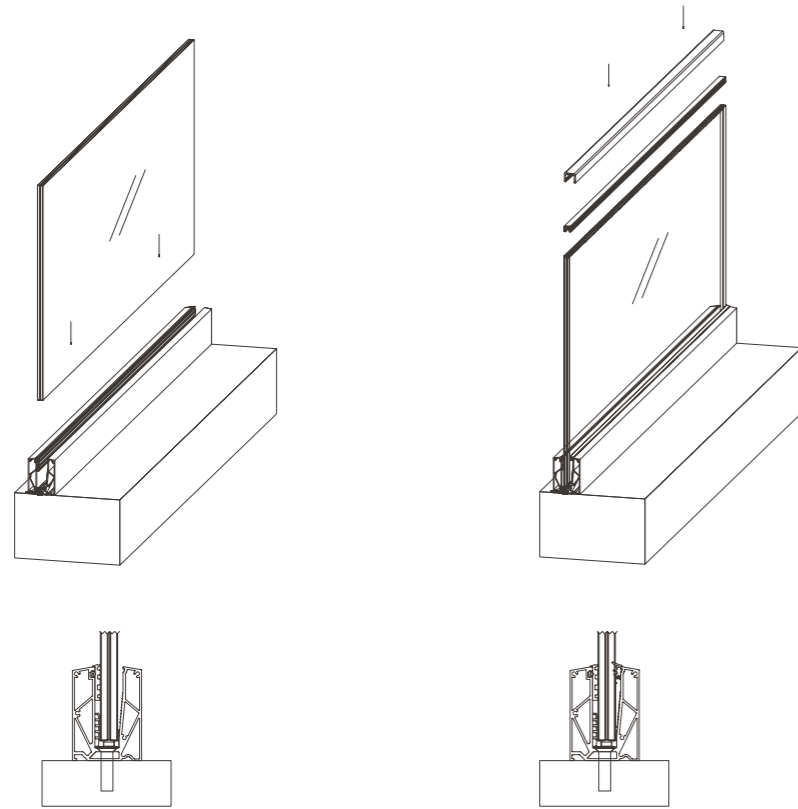
Accessories & Optionals



Installation & Base Options

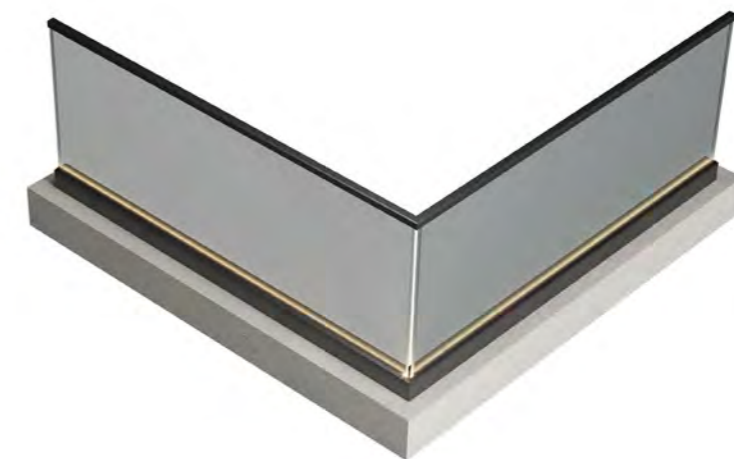
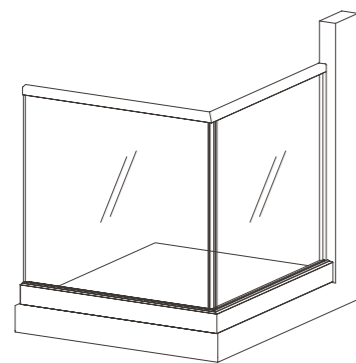
Compact & Easy Assembly

The system reaches its compact outlook with simple and quick installation steps.



Smooth Edge Connection

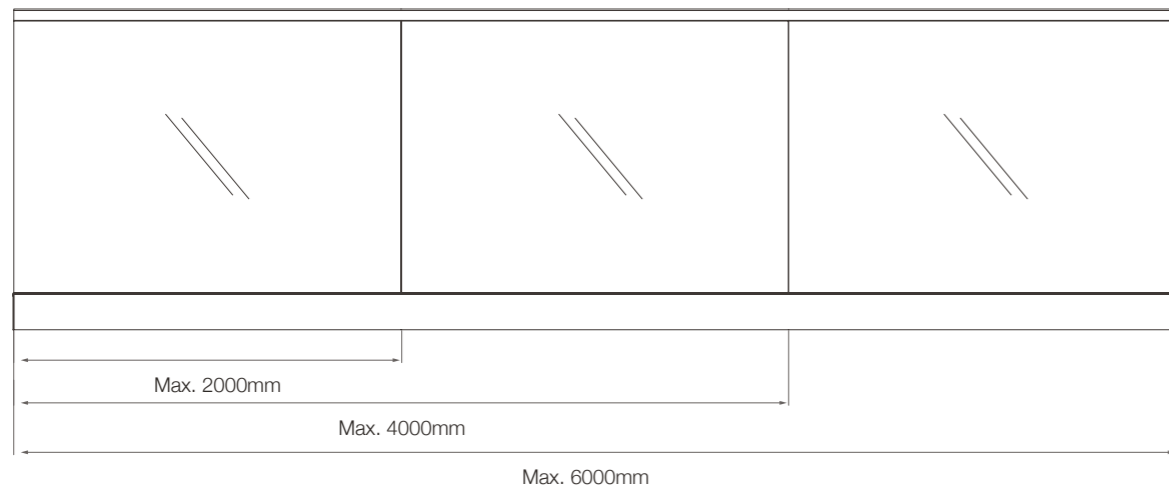
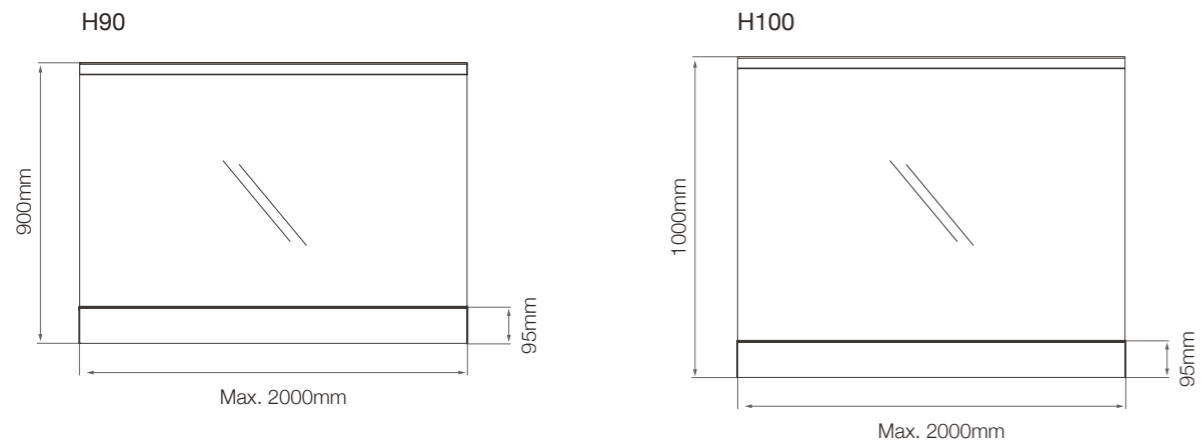
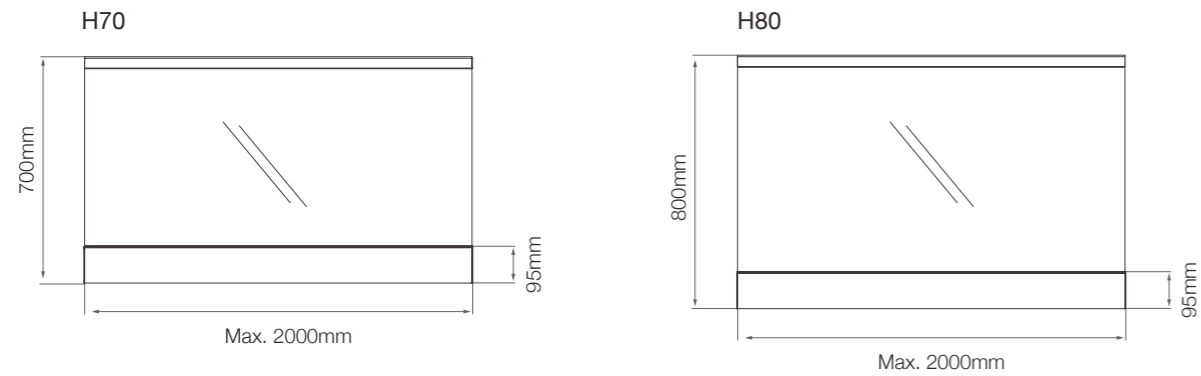
Clean appearance in the corner points.



Configurations

Company Name:
Order Reference:

Order Date:



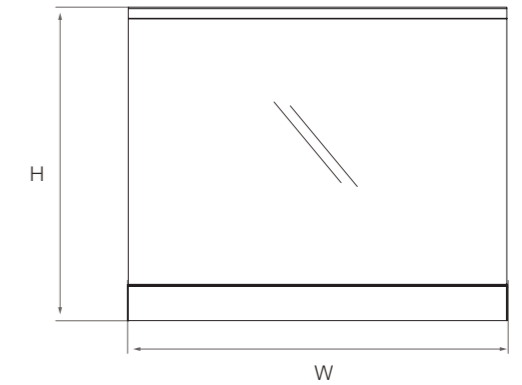
One Module
1000<2000mm
Two Modules
2000<4000mm
Three Modules
4000<6000mm

CONFIGURATIONS

- H70 H90
 H80 H100

DIMENSIONS

Width :.....mm Quantity :.....pc
W :.....mm Q :.....pc
:
:



If modules are multiple and each module is in different width, please provide details (max. width for single module is 2000 mm, double modules 4000 mm, triple modules 6000 mm)

W1 cm
W2 cm
W3 cm

GLASS OPTION

- With Glass
 Without Glass

* Glass is 8MM+1,52PVP+8MM

POWDER-COAT COLORS

RAL colors	Exclusive colors	Texture colors	
<input type="checkbox"/> 9016	<input type="checkbox"/> OGN35	<input type="checkbox"/> ST9010	<input type="checkbox"/> Other ...
<input type="checkbox"/> 1013	<input type="checkbox"/> OS561	<input type="checkbox"/> ST9001	
<input type="checkbox"/> 9006	<input type="checkbox"/> OY395	<input type="checkbox"/> ST1013	
<input type="checkbox"/> 7006	<input type="checkbox"/> OGN39	<input type="checkbox"/> ST7039	
<input type="checkbox"/> 7016	<input type="checkbox"/> ON617	<input type="checkbox"/> ST7016	
<input type="checkbox"/> 9005	<input type="checkbox"/> ON611	<input type="checkbox"/> ST8019	

GLASS COLORS

- TR22 / Transparent
 SM33 / Smoked
 GN44 / Green
 BL55 / Blue
 BR66 / Bronze
 Other.....

OPTIONAL

- Led Stripe Dimmer Lighting Handrail
 Cool White
 Day Light

LIGHTING OPERATION

- SWITCH CONTROL REMOTE CONTROL
 Inis Keo.....pc Telis 1 Pure RTS.....pc
 Inis Duo.....pc Telis 4 Pure RTS.....pc
 Telis 16 Pure RTS.....pc

ADDITIONAL NOTES & DRAWINGS ATTACHED



Technical Details



Glazing	8+1.52 pvb+8 mm laminated glass
Max. size for single system	6000x1000 mm (three modules)
Max. width for single module	2000 mm
Max. height for single module	1000 mm
Aluminum base profile	70x95 mm
Surface finish	Electrostatic powder-coating
Lighting operation	Switch, remote control options
Automation	N/A
Led Stripe Dimmer lighting	optional
Control unit	optional
Hand rail	optional

* N/A (not available)



FRAMEE

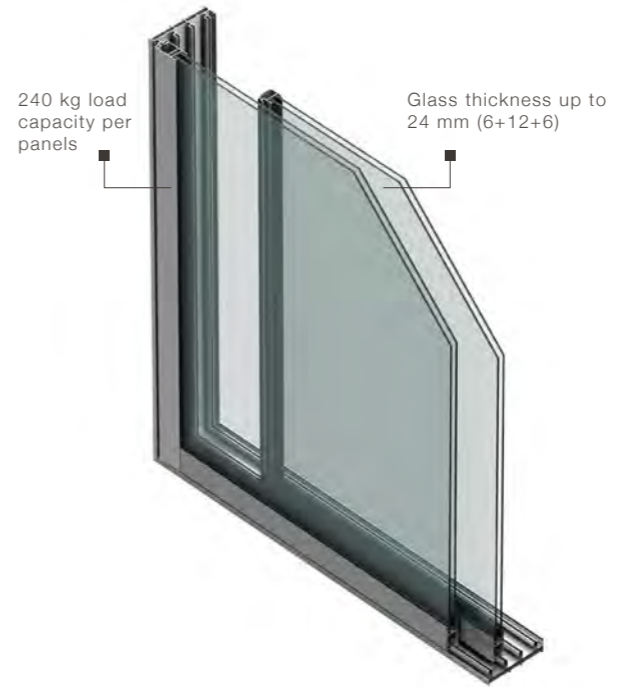
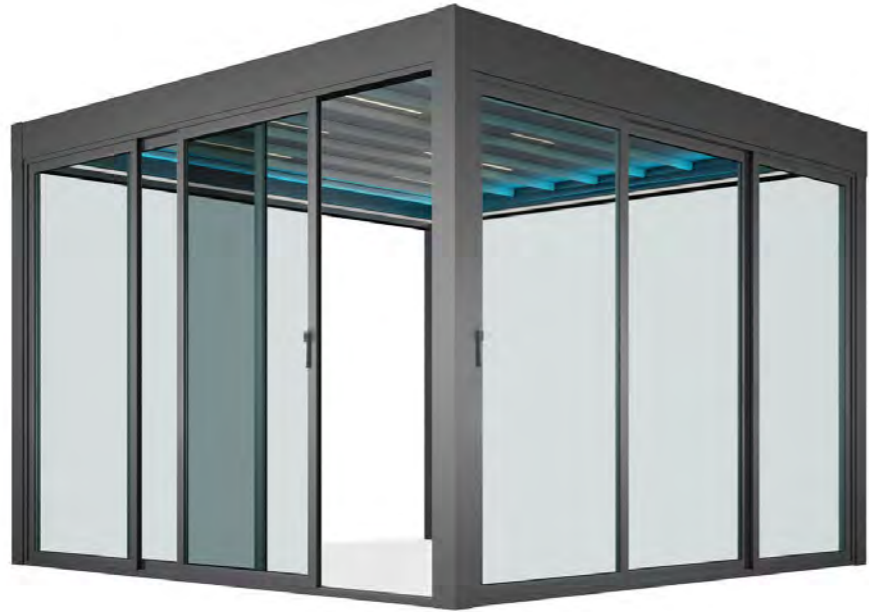


Framee is sliding glass system with fine-framed double glazed panels

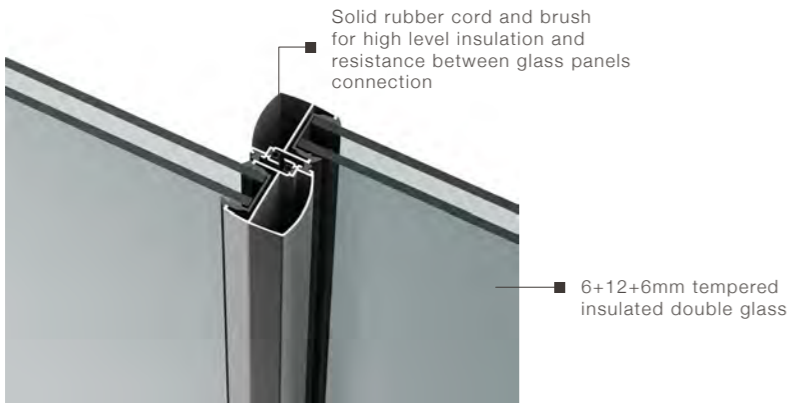
System is made of fine-framed aluminum profiles with modern design & suitable especially for large-area applications and completed with stylish and functional accessories perfectly matching with modern architectural living spaces. System offers a comfortable sliding with silent movement and allows individual sliding panels to be moved horizontally to one side or both in parallel.

Framee provides reinforced profile designs for customized static values, condensated frame profile design as well as glazing up to 26mm thickness.

System is ease of install with compact connection details.



Stainless steel bottom rail for easy and smooth movement



Taking up minimum space in open position up to 8 panels option

Rubber cord for feature a smooth, compact look and concealed soft-close technology



Special sloped rail design for efficient drainage



Brush seal on joint point of panels for maximizing air insulation



Adjustable panel height up to 8mm



Technical Specifications	Measurements	
System Depth	Frame	81,7/112,6/181,7 mm
	Sash	38 mm
Air Permeability	Opening Sash	24 mm

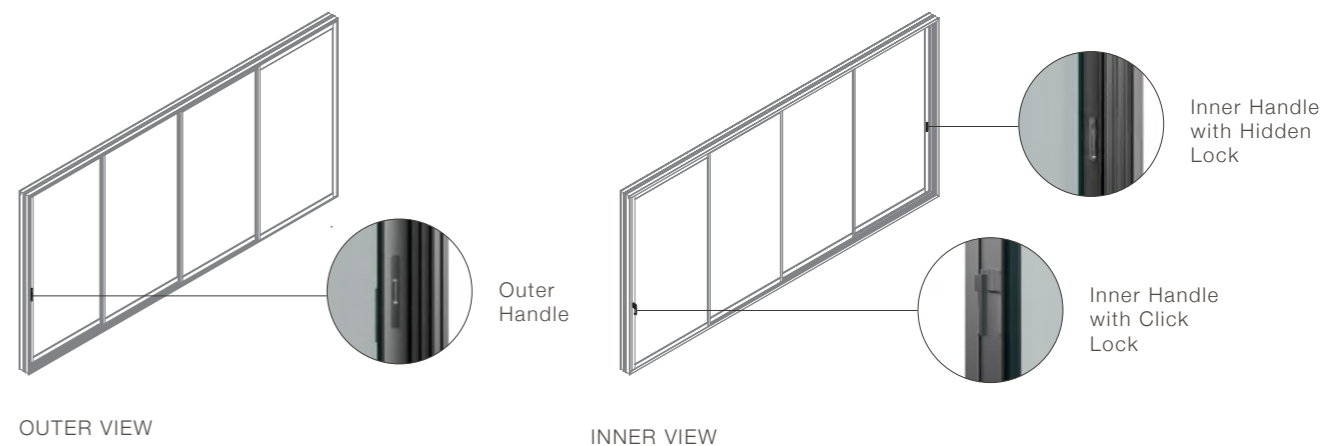
* Take double glazing thickness tolerances into consideration.



Performance Criteria	Classification	Test Standards
Thermal Transm. Coeff.*	-	-
Air Permeability	Class 8A (450 Pa)	EN 1026 EN 12207
Water Tightness	Class 4 (600 Pa)	EN 1027 EN 12208
Resistance to Wind	Class B2 (800 Pa)	EN 12210

* Special condensation calculations for the project were separately carried out.
** Please contact us to obtain reports that contain the relevant performance values.

Handles & Lock Positions

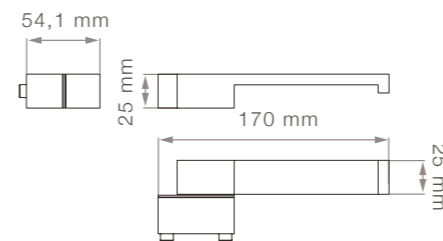


Handles & Lock Types

Inner Handle with Click Lock



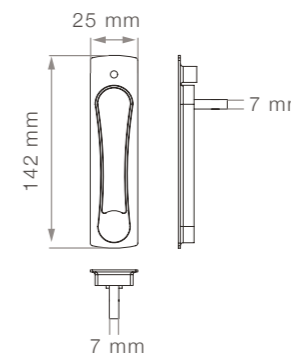
Section Details



Inner Handle with Hidden Lock



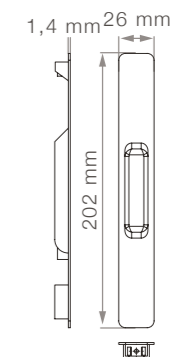
Section Details



Outer Handle



Section Details



Anodising Brushed Color Options

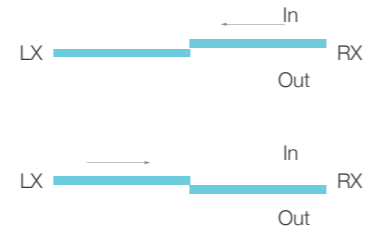
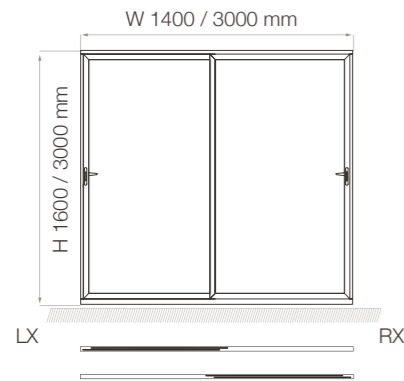


- Natural
- Metallic
- Black

From natural and metallic to anodizing brushed color options give a sleek and elegant finish to systems.

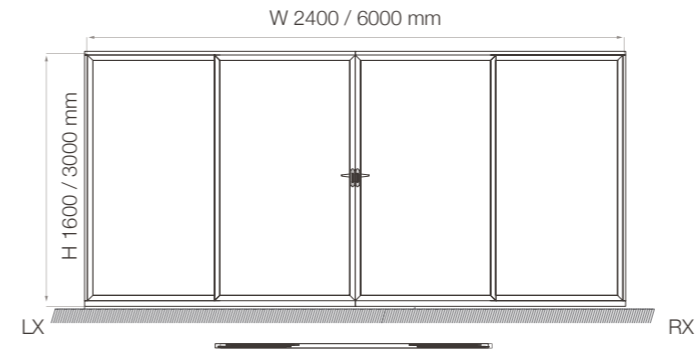
Single Slide

2 Rails 2 Panels

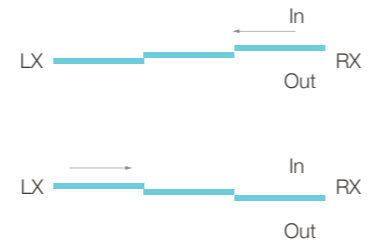
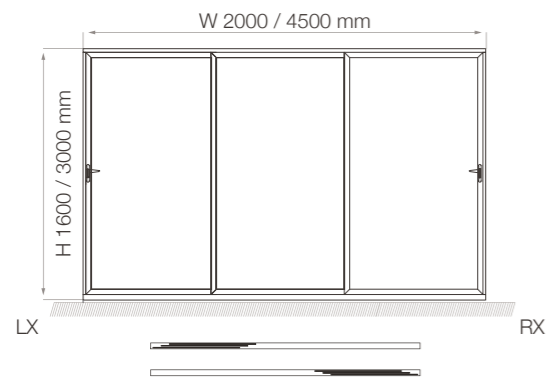


Double Slide

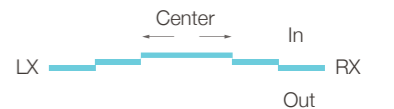
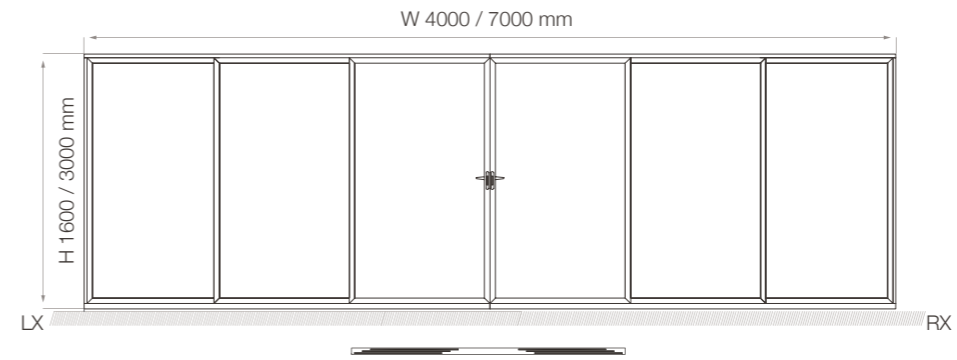
2 Rails 4 Panels



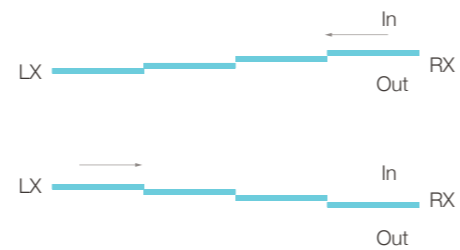
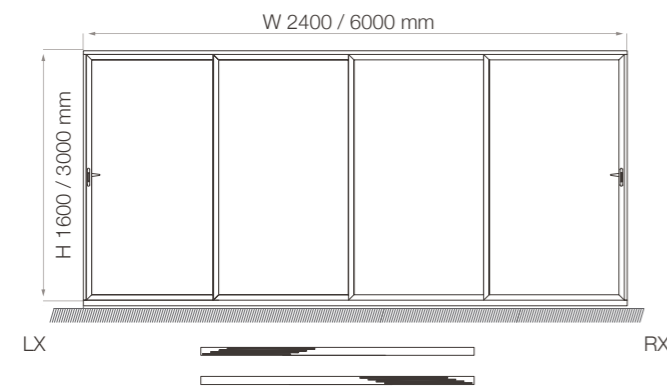
3 Rails 3 Panels



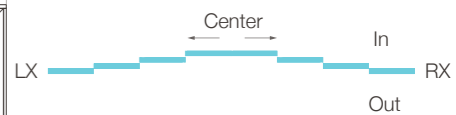
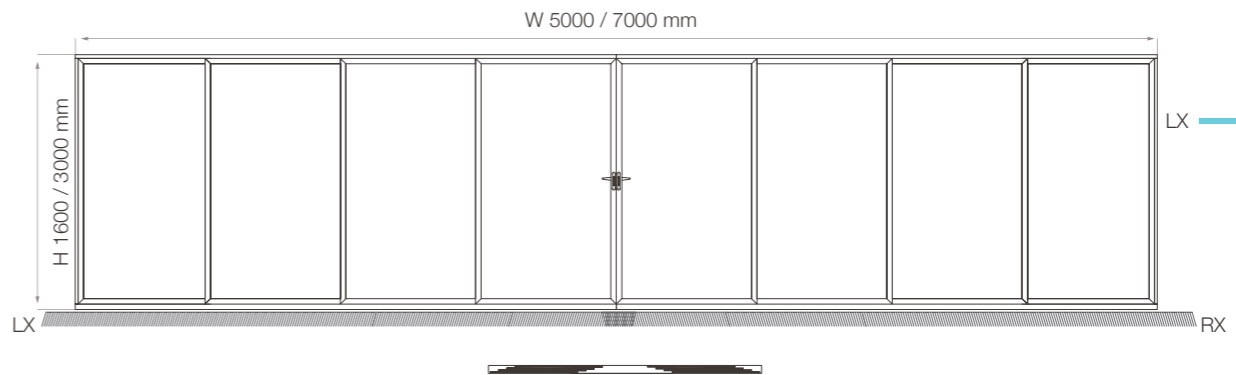
3 Rails 6 Panels



4 Rails 4 Panels



4 Rails 8 Panels



Order Form

Company Name:
Order Reference:

Order Date:

QUANTITY: pc

GLASS OPTION

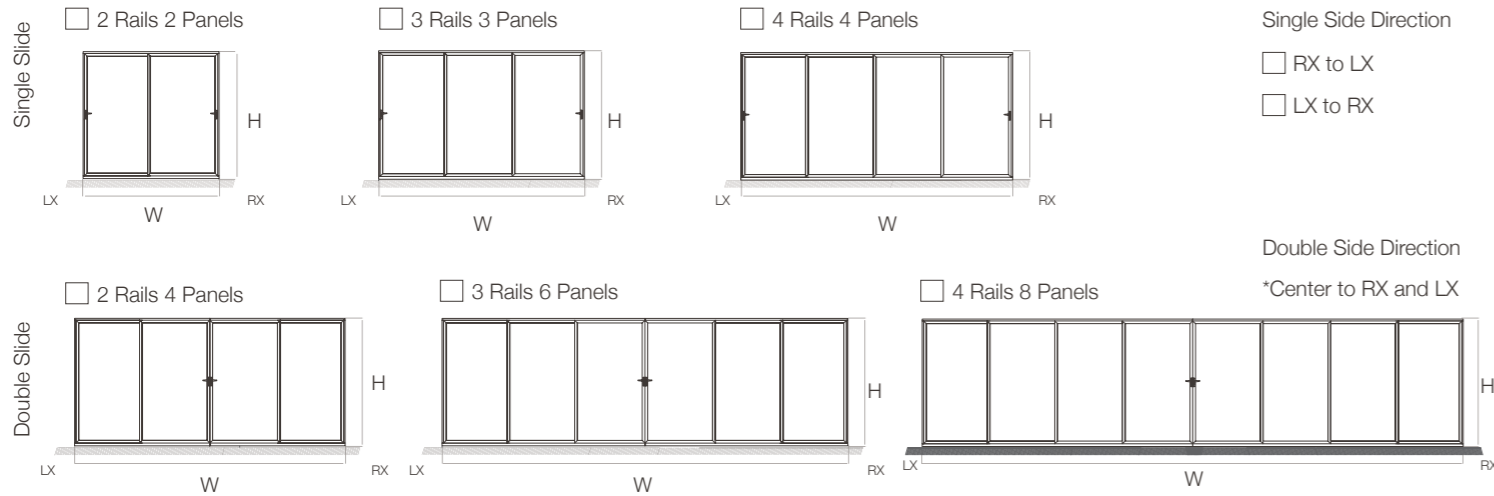
DIMENSIONS

W - Width :.....mm
H - Height :.....mm

- With Glass
 Without Glass

* Glass is 6+12+6MM

PANEL TYPES



SLIDE DIRECTIONS

- Single Side Direction
 RX to LX
 LX to RX

- Double Side Direction
*Center to RX and LX

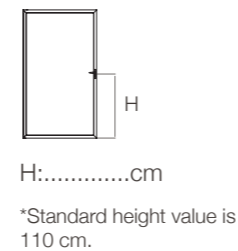
POWDER-COAT COLORS

- | | | | |
|-------------------------------|--------------------------------|---------------------------------|------------------------------------|
| RAL colors | Exclusive colors | Texture colors | <input type="checkbox"/> Other ... |
| <input type="checkbox"/> 9016 | <input type="checkbox"/> OGN35 | <input type="checkbox"/> ST9010 | |
| <input type="checkbox"/> 1013 | <input type="checkbox"/> OS561 | <input type="checkbox"/> ST9001 | |
| <input type="checkbox"/> 9006 | <input type="checkbox"/> OY395 | <input type="checkbox"/> ST1013 | |
| <input type="checkbox"/> 7006 | <input type="checkbox"/> OGN39 | <input type="checkbox"/> ST7039 | |
| <input type="checkbox"/> 7016 | <input type="checkbox"/> ON617 | <input type="checkbox"/> ST7016 | |
| <input type="checkbox"/> 9005 | <input type="checkbox"/> ON611 | <input type="checkbox"/> ST8019 | |

HANDLE COLORS

- Natural
 Metallic
 Black
(Anodising brushed)

HANDLE POSITION



GLASS COLORS

- TR22 / Transparent
 SM33 / Smoked
 GN44 / Green
 BL55 / Blue
 BR66 / Bronze
 Other.....

ADDITIONAL NOTES & DRAWINGS ATTACHED

Technical Details

FRAMEE



Glazing	6+12+6 mm insulated double glass
Slide Options	2,3 or 4 panels single slide 4,6 or 8 panels double slide
Max. width for single slide	6000 mm
Max. width for double slide	7000 mm
Max. height	3000 mm
Max. load capacity per panels	240 kg
System depth	Frame 81 mm Sash 38 mm
Surface finish	Electrostatic powder-coating
Control system	Manual
Inner handle with click lock	included
Inner handle with hidden lock	included
Outer handle	included

SLIDIA



Give modern appeal and depth to spaces...

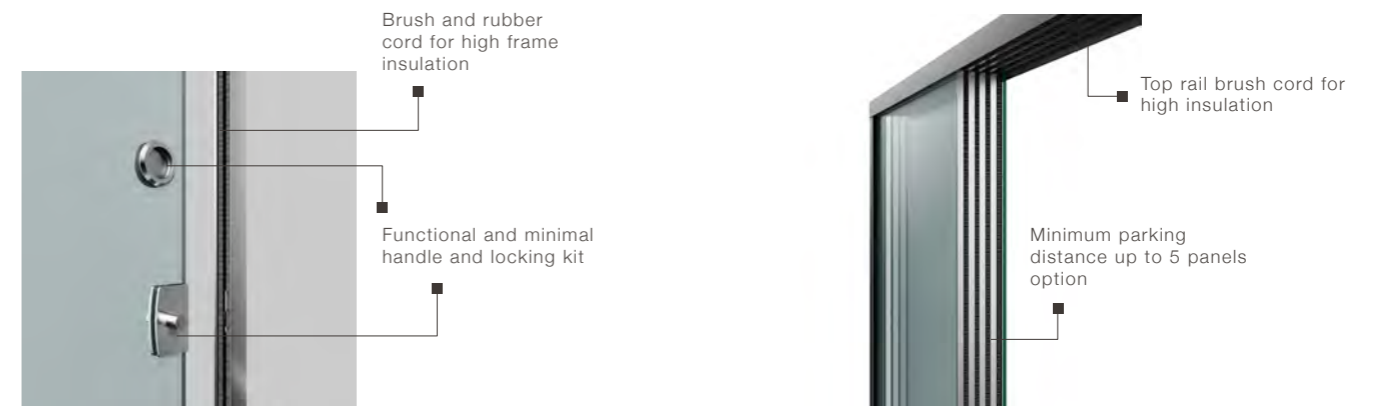
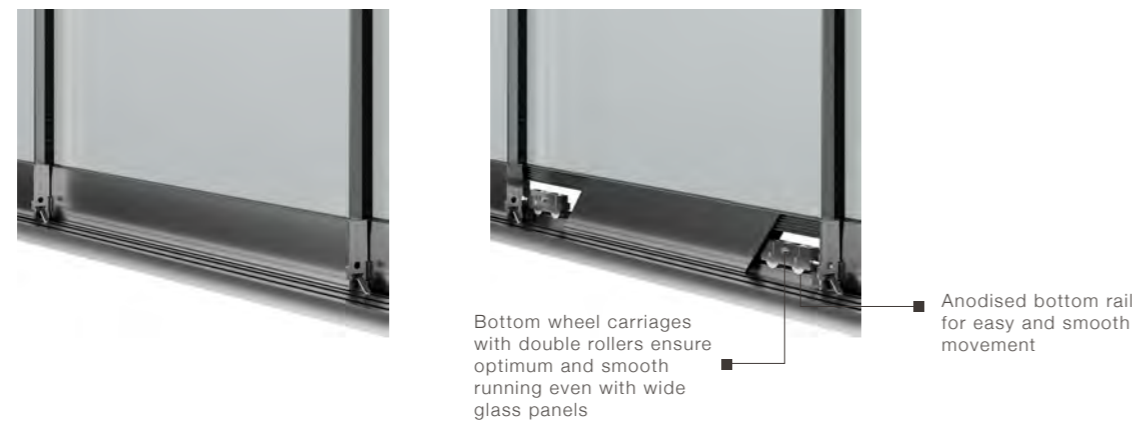
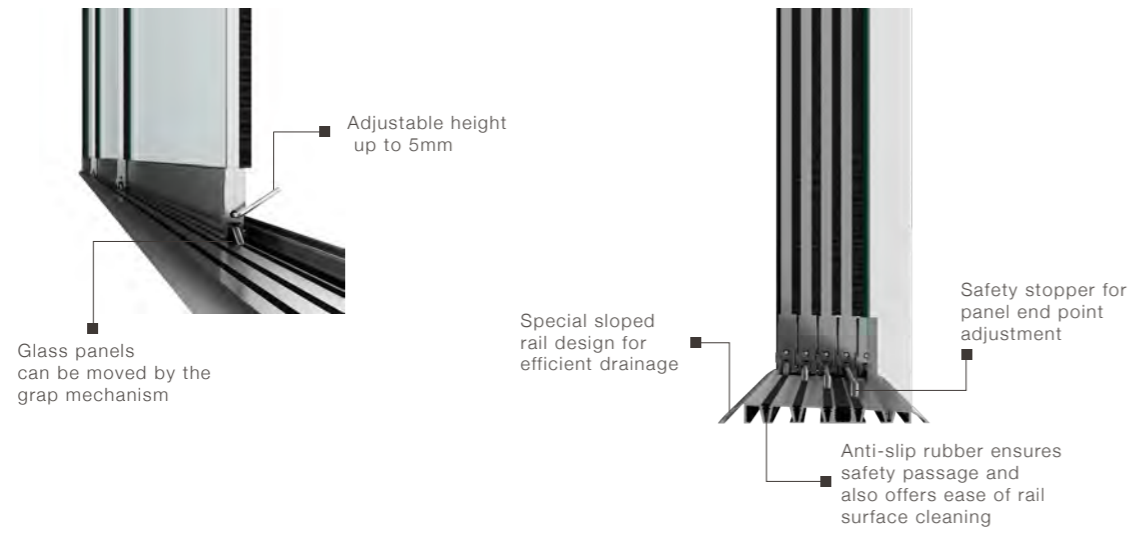
Slidia is a stylish and practical closing solution that can be integrated into structures and presents you indoor coziness along with outdoor coolness.

Sliding system enables the individual parallel sliding panels to be moved horizontally. By opening and closing of first sliding panel, the other sliding panels are automatically opened and closed by integrated subsequent panels. The floor-mounted construction means that a wide open area can be covered without additional roof supports.

The bottom wheel carriages ensure optimum and smooth running of the individual sliding panels. Height compensation of the ceiling rail up to 20 mm and height adjustment of the rollers up to 5 mm allows the sliding system to compensate for potential subsidence in the eaves or a lintel easily.

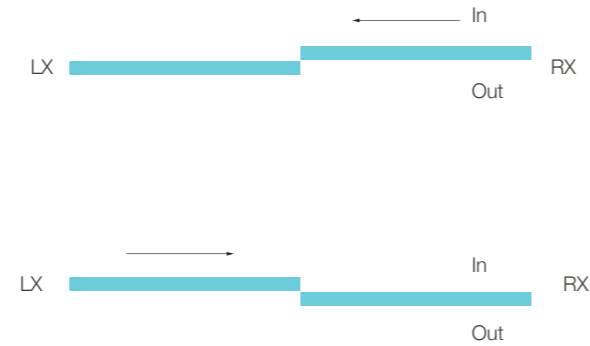
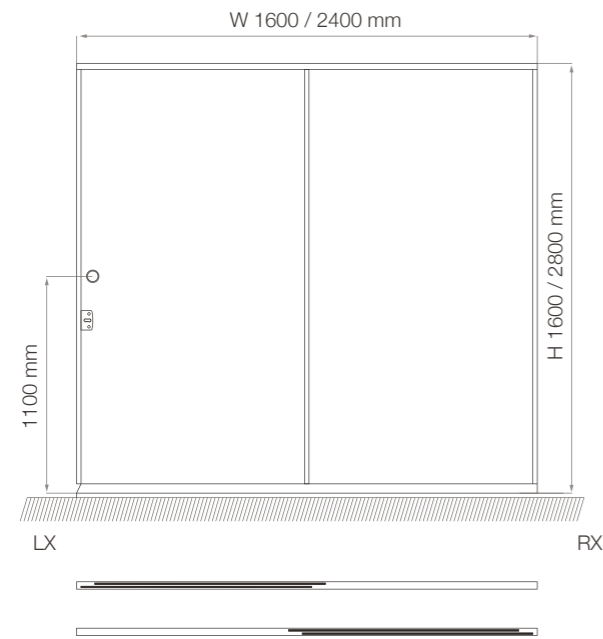
The sliding glass can be easily matched with attractive look you aspire with variety of rail and panel types. The system can be slided to one side or both sides as you desire.



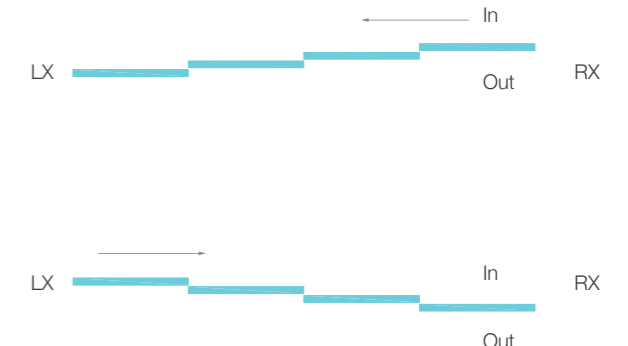
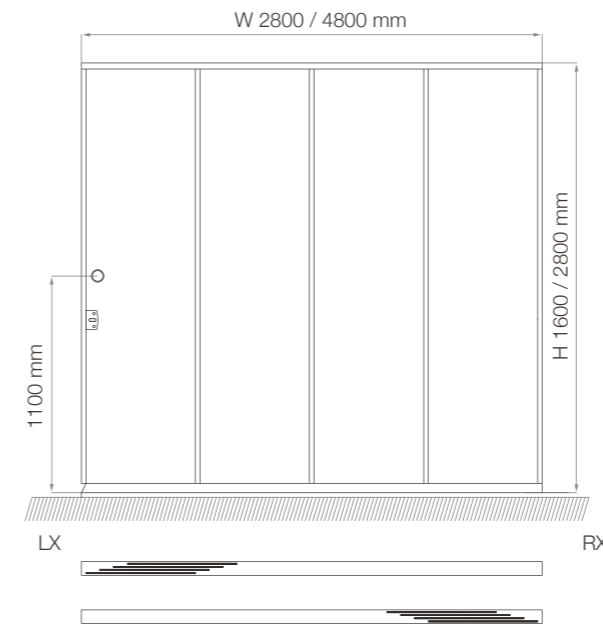


Slide Direction - Single Side

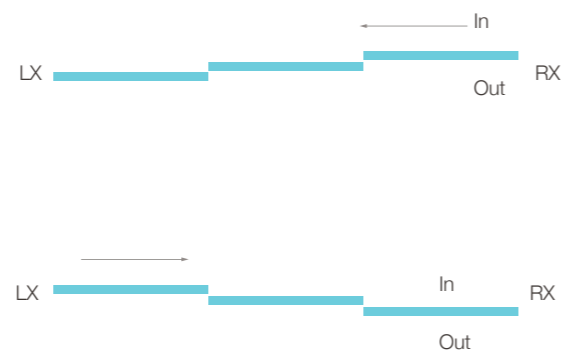
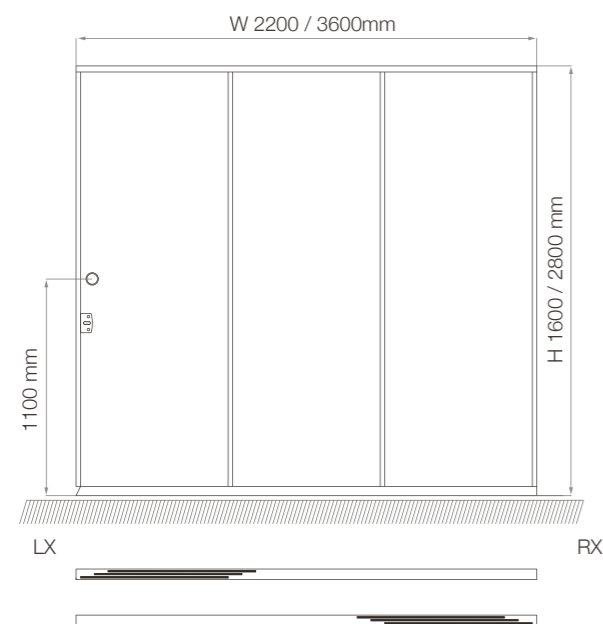
3 Rails 2 Panels



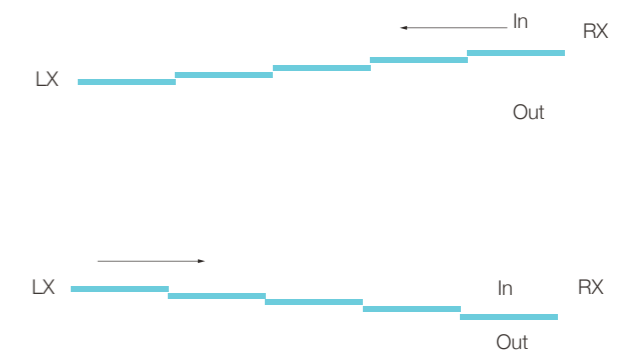
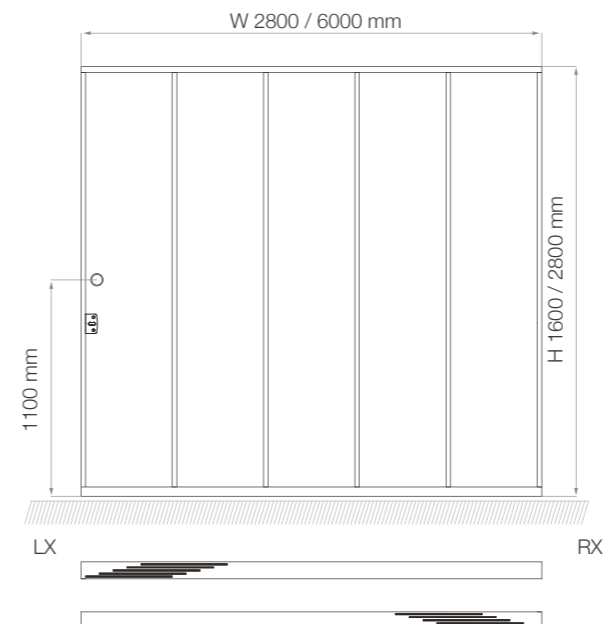
5 Rails 4 Panels



3 Rails 3 Panels

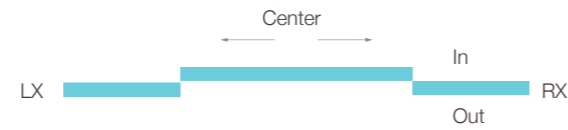
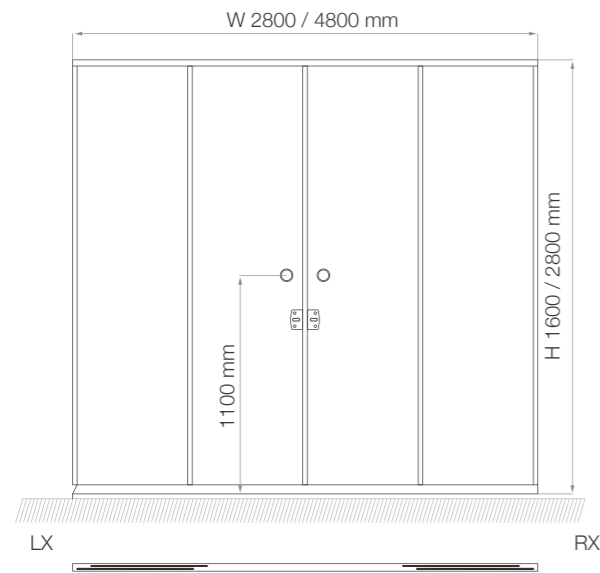


5 Rails 5 Panels

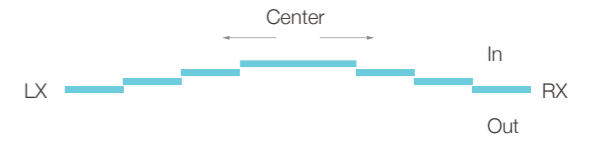
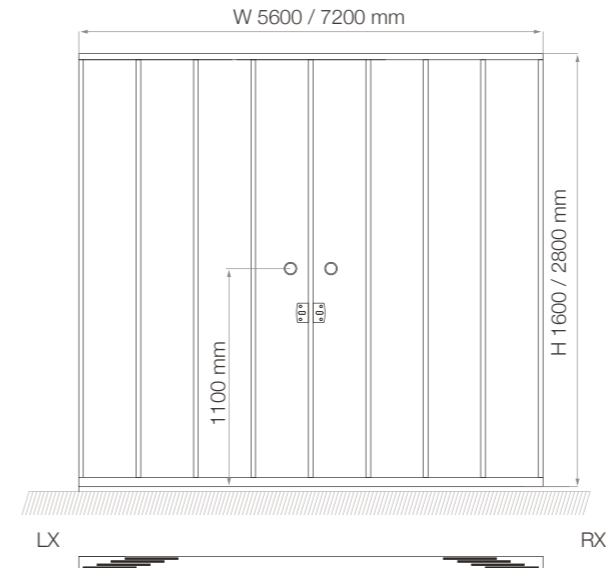


Slide Direction - Double Side

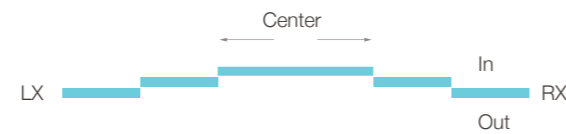
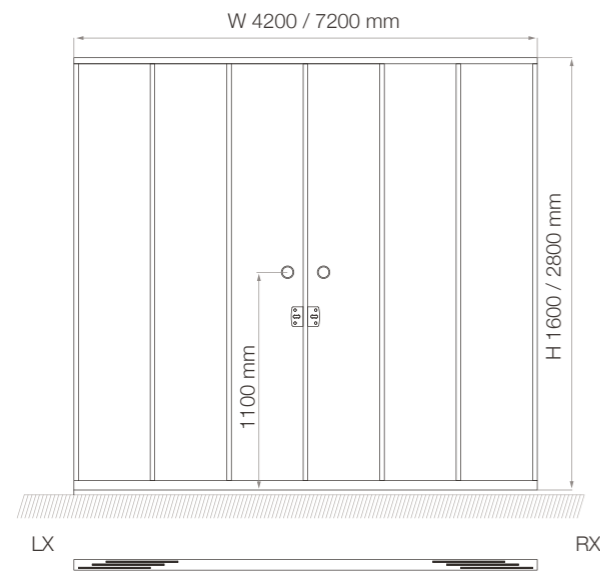
3 Rails 4 Panels



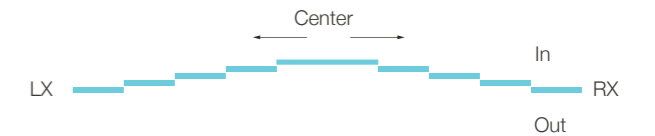
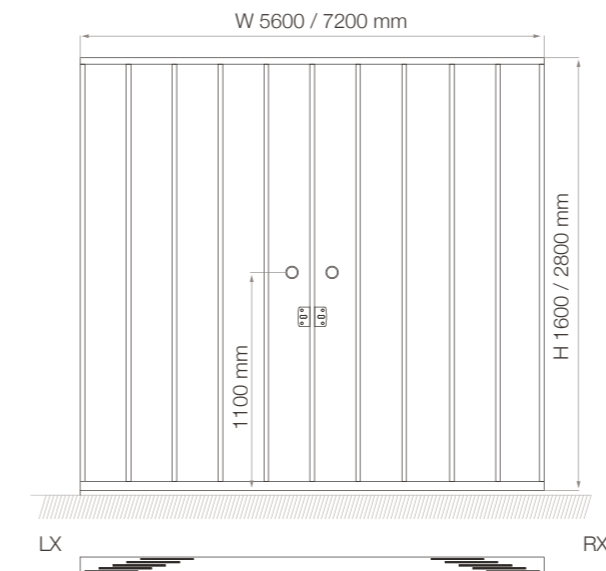
5 Rails 8 Panels



3 Rails 6 Panels



5 Rails 10 Panels





Company Name:
Order Reference:

Order Date:

DIMENSIONS

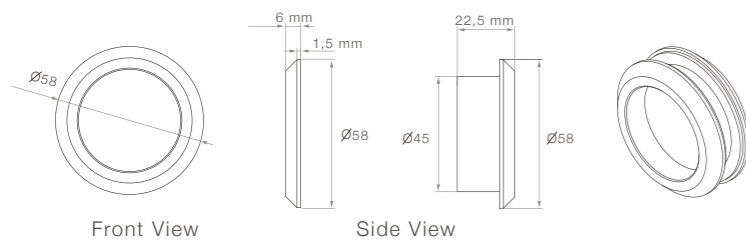
Width :.....mm Height :.....mm Quantity :.....pc
 W :.....mm H :.....mm Q :.....pc
 : : :
 : : :

GLASS OPTION

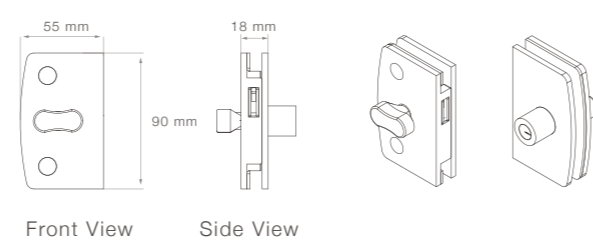
- With Glass
- Without Glass
- * Glass is 8MM

Single Glass Handle Types

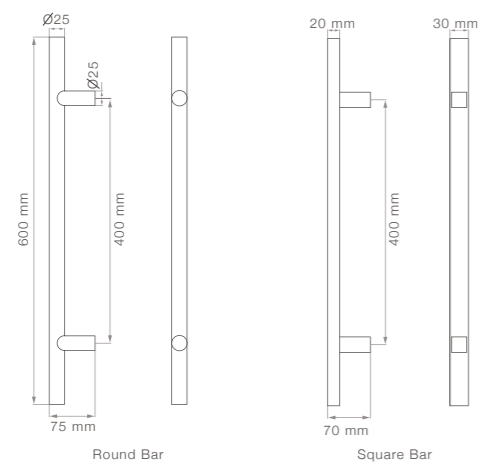
Flush Circle Handle



Sliding Glass Lock Types



Push & Pull Bar



PANEL TYPES

Single Side	<input type="checkbox"/> 3 Rails 2 Panels	<input type="checkbox"/> 3 Rails 3 Panels	<input type="checkbox"/> 5 Rails 4 Panels	<input type="checkbox"/> 5 Rails 5 Panels	SLIDE DIRECTIONS Single Side <input type="checkbox"/> RX to LX <input type="checkbox"/> LX to RX
Double Side	<input type="checkbox"/> 3 Rails 4 Panels	<input type="checkbox"/> 3 Rails 6 Panels	<input type="checkbox"/> 5 Rails 8 Panels	<input type="checkbox"/> 5 Rails 10 Panels	Double Side *Center to RX and LX

POWDER-COAT COLORS

- | | | | |
|-------------------------------|--------------------------------|---------------------------------|------------------------------------|
| RAL colors | Exclusive colors | Texture colors | <input type="checkbox"/> Other ... |
| <input type="checkbox"/> 9016 | <input type="checkbox"/> OGN35 | <input type="checkbox"/> ST9010 | |
| <input type="checkbox"/> 1013 | <input type="checkbox"/> OS561 | <input type="checkbox"/> ST9001 | |
| <input type="checkbox"/> 9006 | <input type="checkbox"/> OY395 | <input type="checkbox"/> ST1013 | |
| <input type="checkbox"/> 7006 | <input type="checkbox"/> OGN39 | <input type="checkbox"/> ST7039 | |
| <input type="checkbox"/> 7016 | <input type="checkbox"/> ON617 | <input type="checkbox"/> ST7016 | |
| <input type="checkbox"/> 9005 | <input type="checkbox"/> ON611 | <input type="checkbox"/> ST8019 | |

HANDLE TYPE

- Flush Circle Handle
- Push & Pull Bar
 - Round Bar
 - Square Bar

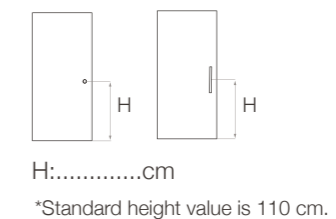
PANEL INSULATION TYPE

- Transparent Gasket
- Transparent Gasket with Brush
- Aluminum Slat with Brush

GLASS COLORS

- TR22 / Transparent
- SM33 / Smoked
- GN44 / Green
- BL55 / Blue
- BR66 / Bronze
- Other.....

HANDLE POSITION



ADDITIONAL NOTES & DRAWINGS ATTACHED

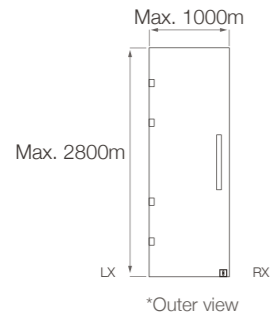


Technical Details

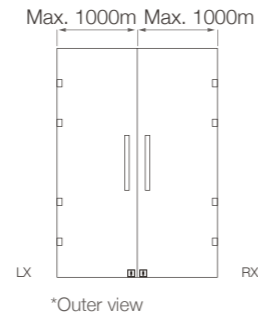


Glazing	8 mm tempered single glass
Slide Options	2,3 or 4 panels single slide 4,6,8 or 10 panels double slide
Max. width for single slide	6000 mm
Max. width for double slide	7200 mm
Max. height	2800 mm
Max. load capacity per panels	80 kg
Surface finish	Electrostatic powder-coating
Control system	Manual
Flush circle handle or push&pull bar	included
Lock	included

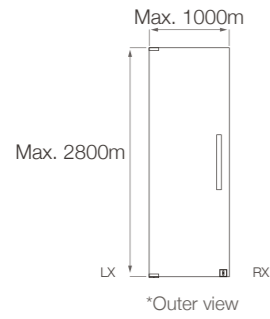
Glass Door



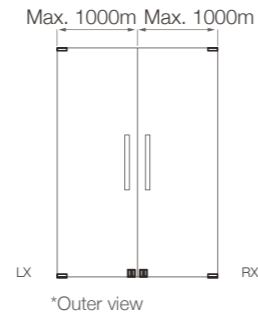
Single Slide (Hinged)



Double Slide (Hinged)

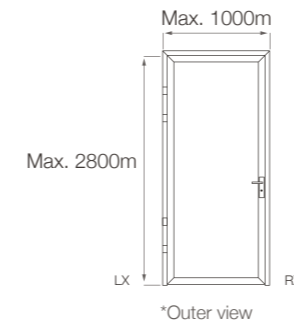


Single Slide (Hydraulic)

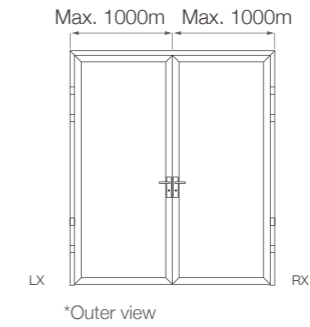


Double Slide (Hydraulic)

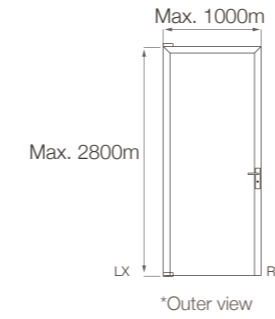
Frame Door



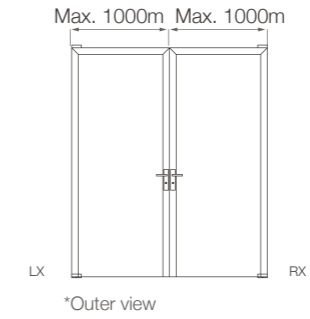
Single Slide (Hinged)



Double Slide (Hinged)



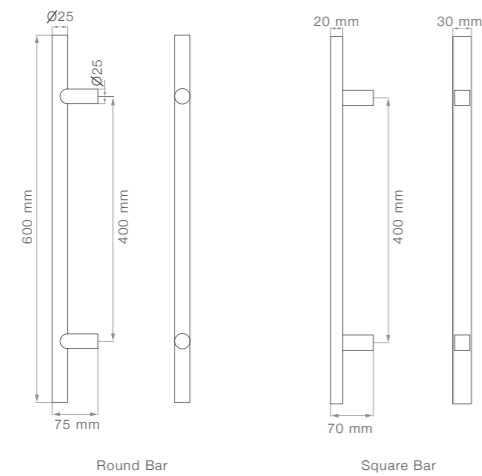
Single Slide (Hydraulic)



Double Slide (Hydraulic)

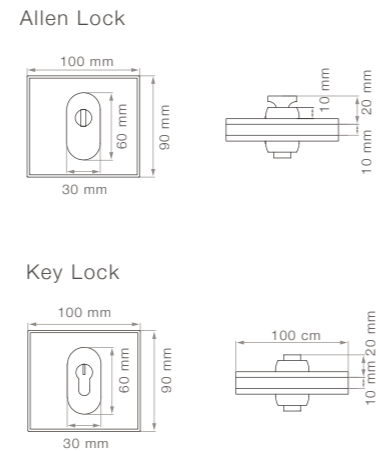
Sliding Glass Handle Types

Push & Pull Bar

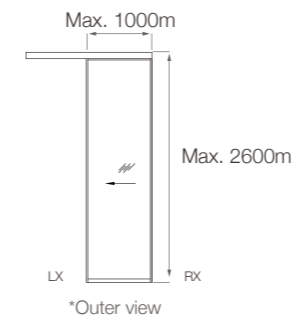


Sliding Glass Lock Types

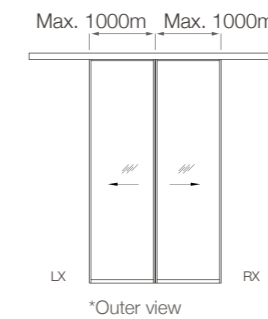
Square Floor Installed



Photocell Door



Single Slide



Double Slide

Only movable panels are included. Fixed panels are not included.

GLASS DOOR

Single Slide (Hinged)	1.127 €
Double Slide (Hinged)	2.255 €
Single Slide (Hydraulic)	1.214 €
Double Slide (Hydraulic)	2.429 €

FRAME DOOR

Single Slide (Hinged)	1.301 €
Double Slide (Hinged)	2.602 €
Single Slide (Hydraulic)	1.822 €
Double Slide (Hydraulic)	3.642 €

PHOTOCELL DOOR

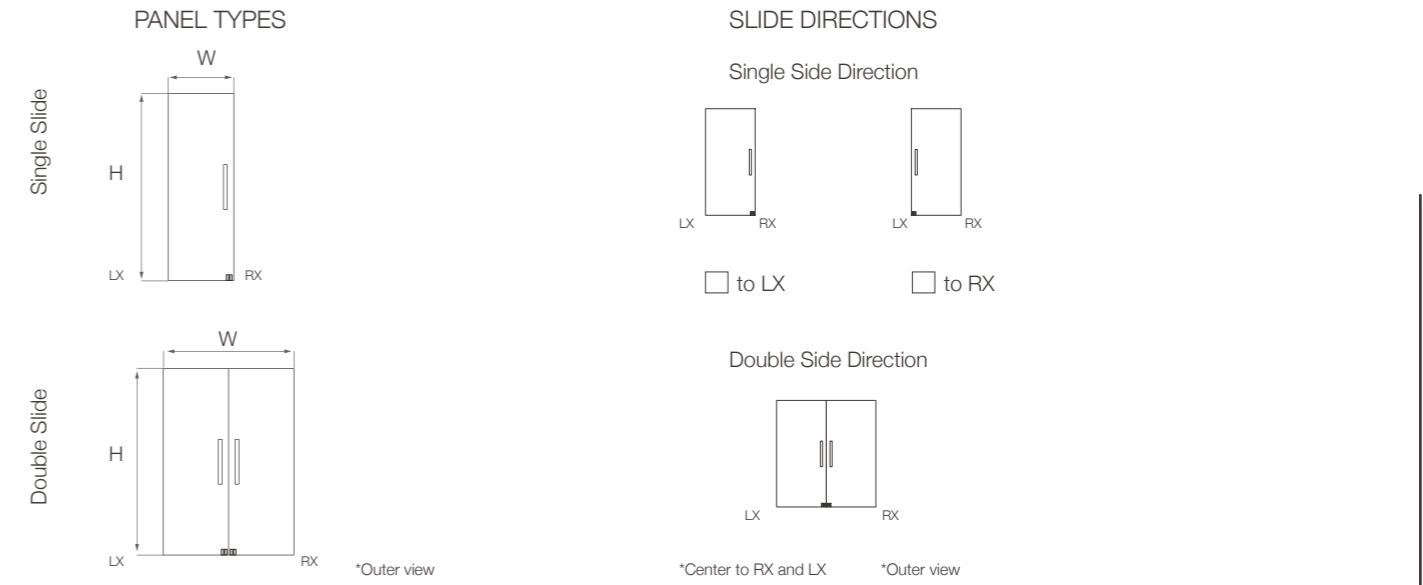
Single Slide	4.770 €
Double Slide	5.204 €

Notes:
 Prices are Ex-Works.
 Handles and Locks are included for Glass and Frame Doors.
 Standard color is transparent glass, for other options net +13€/m² price difference will be charged.
 Packing Cost:
 Wooden crate cost is net 205€.

Company Name:
 Order Reference:

Order Date:
 Quantity:

DOOR TYPE	DIMENSIONS	GLASS TYPE
<input type="checkbox"/> Single Panel	W - Width :.....mm H - Height :.....mm	*Single Glass (10mm)
<input type="checkbox"/> Double Panel		



POWDER-COAT COLORS			HANDLE TYPE	LOCK TYPE
RAL colors	Exclusive colors	Texture colors	<input type="checkbox"/> Flush Circle Handle	<input type="checkbox"/> Key Lock
<input type="checkbox"/> 9016	<input type="checkbox"/> OGN35	<input type="checkbox"/> ST9010	<input type="checkbox"/> Push & Pull Bar	<input type="checkbox"/> Square Floor Installed
<input type="checkbox"/> 1013	<input type="checkbox"/> OS561	<input type="checkbox"/> ST9001	<input type="checkbox"/> Round Bar	<input type="checkbox"/> Round Center Installed
<input type="checkbox"/> 9006	<input type="checkbox"/> OY395	<input type="checkbox"/> ST1013	<input type="checkbox"/> Square Bar	<input type="checkbox"/> Allen Lock
<input type="checkbox"/> 7006	<input type="checkbox"/> OGN39	<input type="checkbox"/> ST7039	<input type="checkbox"/> Other ...	<input type="checkbox"/> Square Floor Installed
<input type="checkbox"/> 7016	<input type="checkbox"/> ON617	<input type="checkbox"/> ST7016		<input type="checkbox"/> Round Center Installed
<input type="checkbox"/> 9005	<input type="checkbox"/> ON611	<input type="checkbox"/> ST8019		

GLASS COLORS	HANDLE POSITION
<input type="checkbox"/> TR22 / Transparent	H
<input type="checkbox"/> SM33 / Smoked	H:.....cm
<input type="checkbox"/> GN44 / Green	*Standard height value is 110 cm.
<input type="checkbox"/> BL55 / Blue	
<input type="checkbox"/> BR66 / Bronze	
<input type="checkbox"/> Other.....	

ADDITIONAL NOTES & DRAWINGS ATTACHED *Price will be determined according to project details.

Company Name:
Order Reference:

Order Date:
Quantity:

Company Name:
Order Reference:

Order Date:
Quantity:

- | | | |
|---------------------------------------|---------------------|---------------------------|
| DOOR TYPE | DIMENSIONS | GLASS TYPES |
| <input type="checkbox"/> Single Panel | W - Width :.....mm | *Double Glass (4+11+4 mm) |
| <input type="checkbox"/> Double Panel | H - Height :.....mm | |

OPENING DIRECTIONS

Single Side Direction

to LX

to RX

Double Side Direction

*Center to RX and LX *Outer view

SELF CLOSING

Without Closing Mechanism

With Closing Mechanism

In Out

POWDER-COAT COLORS

RAL colors	Exclusive colors	Texture colors
<input type="checkbox"/> 9016	<input type="checkbox"/> OGN35	<input type="checkbox"/> ST9010
<input type="checkbox"/> 1013	<input type="checkbox"/> OS561	<input type="checkbox"/> ST9001
<input type="checkbox"/> 9006	<input type="checkbox"/> OY395	<input type="checkbox"/> ST1013
<input type="checkbox"/> 7006	<input type="checkbox"/> OGN39	<input type="checkbox"/> ST7039
<input type="checkbox"/> 7016	<input type="checkbox"/> ON617	<input type="checkbox"/> ST7016
<input type="checkbox"/> 9005	<input type="checkbox"/> ON611	<input type="checkbox"/> ST8019

Other ...

HANDLE - LOCK TYPE

Pull Handle / Lock

Handle Without Lock

Handle With Key Lock

Handle With Allen Lock

Push & Pull Bar

Round Bar

Square Bar

HANDLE POSITION

H:.....cm

*Standard height value is 110 cm.

ADDITIONAL NOTES & DRAWINGS ATTACHED

*Price will be determined according to project details.

- | | | |
|---------------------------------------|---------------------|---------------------------|
| DOOR TYPE | DIMENSIONS | GLASS TYPES |
| <input type="checkbox"/> Single Panel | W - Width :.....mm | *Laminated Glass (4+4 mm) |
| <input type="checkbox"/> Double Panel | H - Height :.....mm | |

SLIDE DIRECTIONS

Single Side Direction

RX to LX

LX to LX

Double Side Direction

*Center to RX and LX

POWDER-COAT COLORS

RAL colors	Exclusive colors	Texture colors
<input type="checkbox"/> 9016	<input type="checkbox"/> OGN35	<input type="checkbox"/> ST9010
<input type="checkbox"/> 1013	<input type="checkbox"/> OS561	<input type="checkbox"/> ST9001
<input type="checkbox"/> 9006	<input type="checkbox"/> OY395	<input type="checkbox"/> ST1013
<input type="checkbox"/> 7006	<input type="checkbox"/> OGN39	<input type="checkbox"/> ST7039
<input type="checkbox"/> 7016	<input type="checkbox"/> ON617	<input type="checkbox"/> ST7016
<input type="checkbox"/> 9005	<input type="checkbox"/> ON611	<input type="checkbox"/> ST8019

Other ...

CONTROL TYPE

Double Sided Transition

One Side Button

Double Side Button

ADDITIONAL NOTES & DRAWINGS ATTACHED

*Price will be determined according to project details.

VERTEX ZIP SYSTEM

Aesthetical privacy with hi-tech functions...

New Series Vertex Zip Screens are designed to represent solutions of aesthetic appeal and contemporary complement with its unique fabric guide technology concealed within the side channels.

Vertex is motorised external blind which is extremely durable, practical in use and provides great flexibility for outdoor and indoor living areas. System can be integrated for increased functionality of spaces such as restaurants, terraces, balconies, either private or commercial. Simple and stylish design of the system means it can be incorporated into new or existing buildings and Suntech systems with an extensive range of frame and fabric colour options.

Minimal slimline design of Vertex 95 fits in Eva model perfectly. Vertex 130 serie is ideal solution for Suntech Standard LT & XL models. Vertex 150 is developed to function in a complementary manner with Privée models.

This extensive serie is redefined the simple design for minimal look characterised by architectural demands. The zip external blinds are engineered for ease of installation, flexible application and long durability.

Furthermore the patented locking mechanism secures the fabric in the lower position which ensures even tension on fabric and fully hidden motorisation system allows ultimate control of your living space with a single touch.

Thanks to large range of fabric options system provides maximum protection against solar radiation and penetration of heat while preserving the optimal level of natural light in the interior and contact with environment. The production technology of fabrics ensures a high resistance to external influences such as wind or changes in temperature and humidity.

Thanks to clever interlocking parts and self-aligning side channels, each system offers a perfect fitting from edge to edge with no gaps and provides a stylish and simple finish. It also has specially designed zipper which is welded to the edges of the fabric to create seamlessly operation and control of sunlight. The zipper is securely held in the side channels which allows the fabric to run freely and quietly while preventing the fabric to pull out of the channel.





The minimalist, slimline, contemporary design of the zip system provides comfortable shade and protects against the UV rays. The system includes motorised painted aluminium structure, entirely powder-coated with stainless steel bolts and screws.

Vertex 95 Zip System



Vertex 130 Zip System

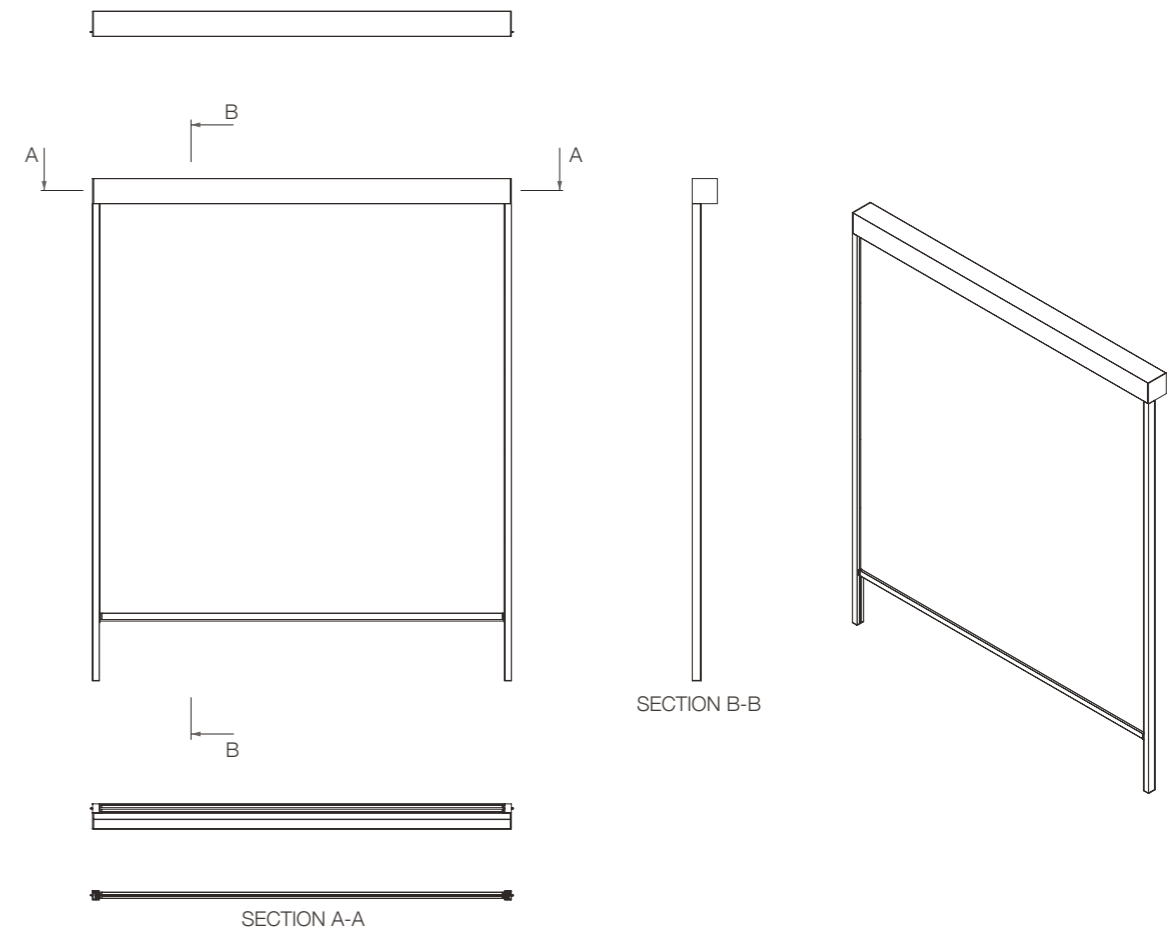


Vertex 150 Zip System





Section Details





Technical Details



Box dimensions	Vertex 95 - 95x120 mm Vertex 130 - 130x140 mm Vertex 150 - 150x150 mm
Max. width for single module	Vertex 95 5000 mm / Vertex 130&150 6000 mm
Max. height for single module	Vertex 95 3000 mm / Vertex 130&150 4000 mm
Puller profile dimension	36,5x37,5 mm
Rafter profile dimension	54x40 mm
Surface finish	Electrostatic powder-coating
Motor type	220 VAC 50Hz tubular motor 20,30 or 40 NM direct drive
Control system	Switch, remote or smart control options
Automation	included
Control Unit	optional
* Fabric	Standard *Ferrari Soltis Horizon 86 Fabric
* Optional fabric types	*Ferrari Soltis Lounge 96, Perform 92, Proff W96 Fabric Crystal (Transparent) Fabric

WALLFIX

Privilege of aesthetical privacy with a stylish look

Wallfix is an aluminium fixed side enclosure that adds privacy whilst enhancing visual appeal and offer a luxurious compliment to Suntech models and highlight design of any outdoor areas.

Simple and elegant lines of Wallfix are compatible with the modern finishes of application areas, it will enable you to have a specific privacy by aluminium fixed wall which is perfect for seamlessly addition to Suntech's architectural models or any independent open spaces.

Wallfix enables you to achieve complete control over shade which adds a unique amenity to your outside areas with invisible fixings.

System highlights attractive aspect of the design by amplifying overall aesthetic of Suntech models with perfect combination ensures comfort and reliefment.



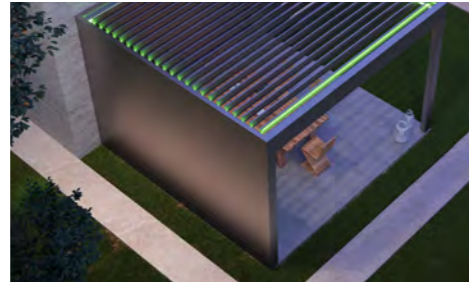


Wallfix Fixed Side Enclosure
The unique designed privacy of Wallfix side enclosure can be combined with Aerolux bioclimatic system to optimise outdoor living areas visually.





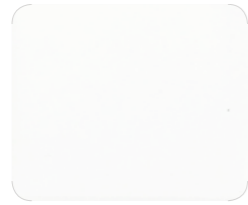
Technical Details



Max. width for single module	6000 mm
Max. height for single module	4000 mm
Louvre dimension	200 mm
Louvre quantity in max. size	20 pcs

ALUMINUM

basic



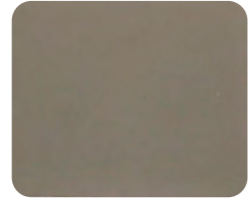
RAL 9016



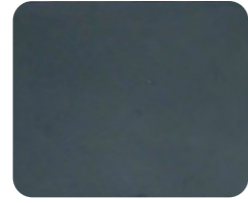
RAL 1013



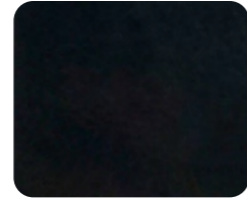
RAL 9006



RAL 7006



RAL 7016



RAL 9005

exclusive



OGN35



OS561



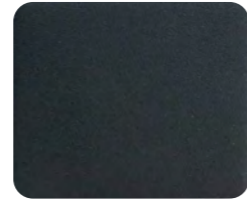
OY395



OGN39



ON617

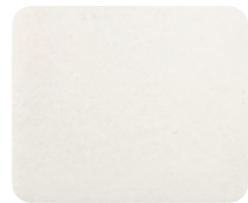


ON611

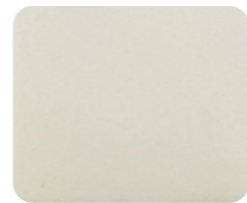
texture



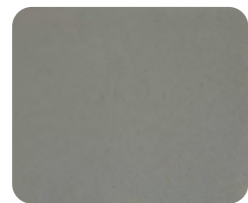
ST9010



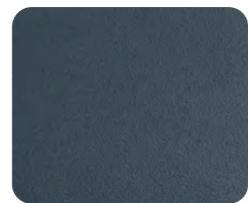
ST9001



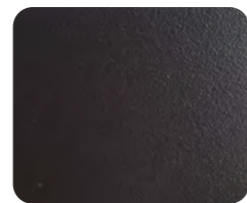
ST1013



ST7039



ST7016



ST8019

Glass Colors



TR22 / Transparent



SM33 / Smoked



GN44 / Green



BL55 / Blue



BR66 / Bronze



The color and gloss level shown in this color swatch should be used only as a guide.
All ral colors are available.



PRICES

All prices in Euro exclude VAT and transport cost, but include all material cost with packaging in bubble wrap.

PRICE LIST

The price lists are effective as of 23.03.2020 and Albayrak has rights to modify the price lists in at any time with a 30 day notice.

TRANSPORT

Goods will be supplied EXW and therefore all costs for transport from the Manufacturer's seat to the Purchaser's destination shall be at full charge of the Purchaser, who will also provide an insurance policy covering all risks for damage or loss of goods during transport.

ALBAYRAK

Delivery terms of contractual products are as follows: Approximately four-six weeks (changeable according to order content or quantity) which will be communicated to the Purchaser at the time of the order weeks from the receiving deposit payment.

INVOICING PROCEDURE

The Invoicing Procedure (in Euro currency) will be according to the Manufacturer's standards.

WARRANTY OF QUALITY

Albayrak warrants that all items shall be free of all defects relating to 5 years structure&coating, 2 years mechanics, 2 years automation and 2 years lighting after delivery. The warranty does not cover the misuse of the goods. The time of the warranty of the product will last for five year and shall commence from the last date of delivery of the Goods. Albayrak must rectify any defects in the Goods which are apparent within a reasonable time. If the Albayrak fails to rectify any defect within a reasonable time for rectification, the Purchaser may engage third parties to perform the rectification. In such case the cost of rectification will be paid by the Albayrak.

WARRANTY BY ALBAYRAK

Albayrak warrants that:

- Albayrak has the right to sell the Goods, which are free from any charge or encumbrance;
- The Goods will be fit for the purpose for which goods of that kind are commonly used and any other purposes made known expressly or by implication to the Albayrak by the Purchaser;
- The Goods will be of merchantable quality and free from defects in material

PACKAGING AND MARKINGS

All proper care and protection must be given and provided by the Albayrak in ensuring against possible damage or breakage in transit. Albayrak is to package all items suitable for transport. The package will be made according to the Albayrak's standard. Albayrak must supply the Goods in a competent and professional manner and comply with all directions from the Purchaser.

DELIVERY TERMS

Albayrak undertakes to deliver the Goods at his own seat in Istanbul – Turkey according to the agreed delivery time. All deliveries shall be accompanied by a fully detailed delivery documents as per the Albayrak's standards. Immediately after receipt of goods, anyhow not later than 10 days from receipt the Purchaser is obliged to inspect goods fully and in detail and notify to Albayrak any defects immediately. Failure in doing so will prevent the Purchaser to issue any claim against Albayrak for defects. Title to and risk in the Goods pass to the Purchaser upon final and full payment of goods delivered. Goods must be delivered during normal hours unless alternative arrangements have been made with the Purchaser.

MISCELLANEOUS

The law applicable to the merits of the dispute shall be United Nations Convention on Contracts for the International Sale of Goods dated 11 April 1980. In case United Nations Convention on Contracts for the International Sale of Goods dated 11 April 1980 does not include any rules governing the dispute arising between the parties, Turkish law will be applied.