

QUATTRO

Distinctive aesthetic style with intelligent lighting control...

Quattro system that combines sophisticated technology and innovative concept is created to breathe new life into outdoor living areas with its modern architectural form along with a unique sense of design. Quattro is characterized by an advanced technology and exalting the product aesthetics.

Quattro has clean modern lines with a minimalist geometric appearance and it is the latest in Suntech's extensive contemporary collection of outdoor living solutions. System also introduces innovative world's first lighting that is integrated within the fabric layer by inspired unique asymmetrical lines. The patented lighting system is also equipped with RGB Led - Hidden Stripe lighting to vary color and Led Stripe Dimmer lighting on sides within the structure to provide intensity or HDD Lux High Power Led lighting options integrated on fabric.

Individual modules can be customised up to 5.5m wide and 8m projection with flexible installation methods such as integration to existing structures, wall mounting and free standing for larger outdoor areas.





Led Stripe Dimmer Lighting

RGB Led-Hidden Stripe Lighting

Linear Fabric Dimmer Led



Led Stripe Dimmer Lighting illuminates all around the system and creates a warm atmosphere. Dimmable Soft Led Stripe lighting on sides within the structure provides intensity of day light or cool white options.

RGB Led-Hidden Stripe Lighting provides ultimate luxury by creating distinctive atmosphere in outdoor living areas with infinite colour options.

Hdd Lux High Power Led integrated lighting profiles on fabric creates sufficient ambient light during evening.

Linear Fabric Dimmer Led innovative world's first lighting that is integrated within the fabric layer by inspired unique asymmetrical lines. The patented lighting system can be offered symmetrical or asymmetrical design to complete your minimalist style.



Flexible installation methods are available with wall mounting and free standing installations and they can even be served as a roof assembled to existing frameworks.



Self Standing
Single Module



Wall Mounting
Single Module



Self Standing
Multiple Modules

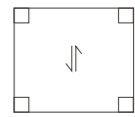


Wall Mounting
Multiple Modules

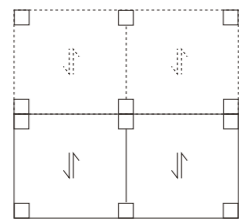
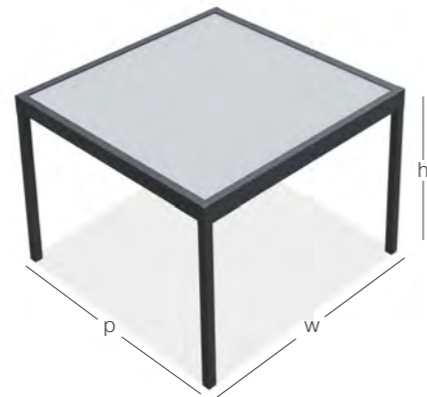




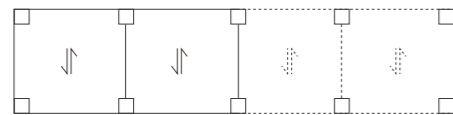
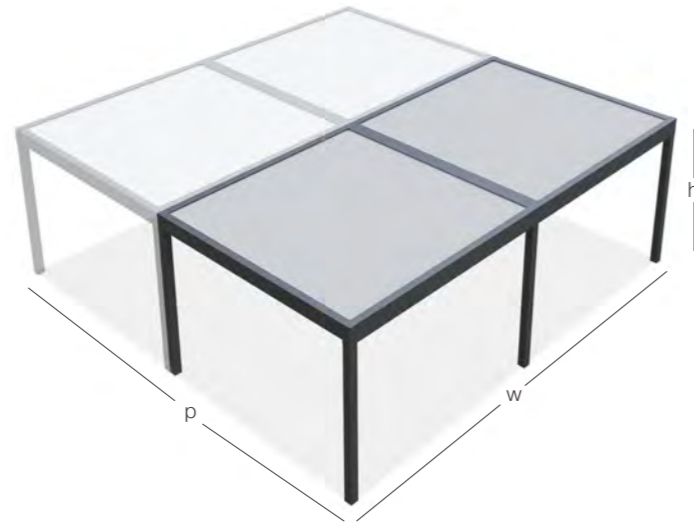
Blocked assembly for customized modules with a wide range of flexible combinations.



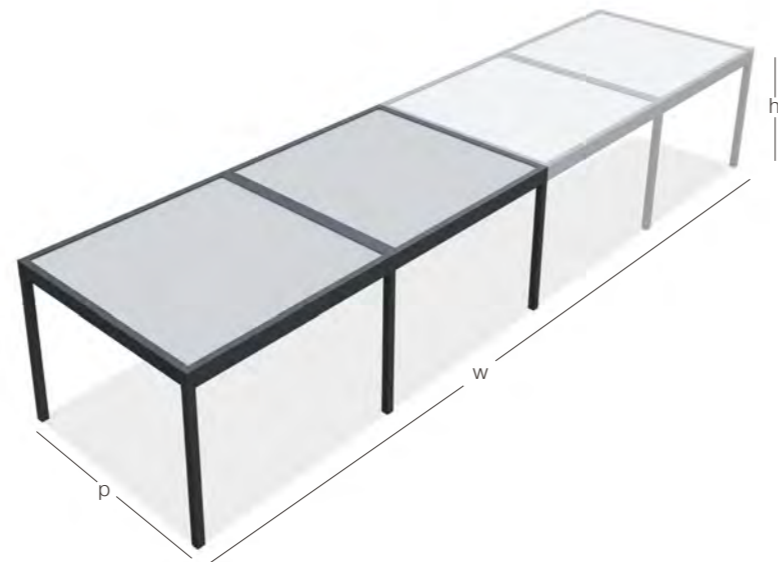
(w) Width
1500 mm < 5500 mm
(p) Projection
1500 mm < 8000 mm
(h) Height
3000 mm



(w) Width
3000 mm < 11000 mm
(p) Projection
3000 mm < 16000 mm
(h) Height
3000 mm



(w) Width
6000 mm < 22000 mm
(p) Projection
1500 mm < 8000 mm
(h) Height
3000 mm

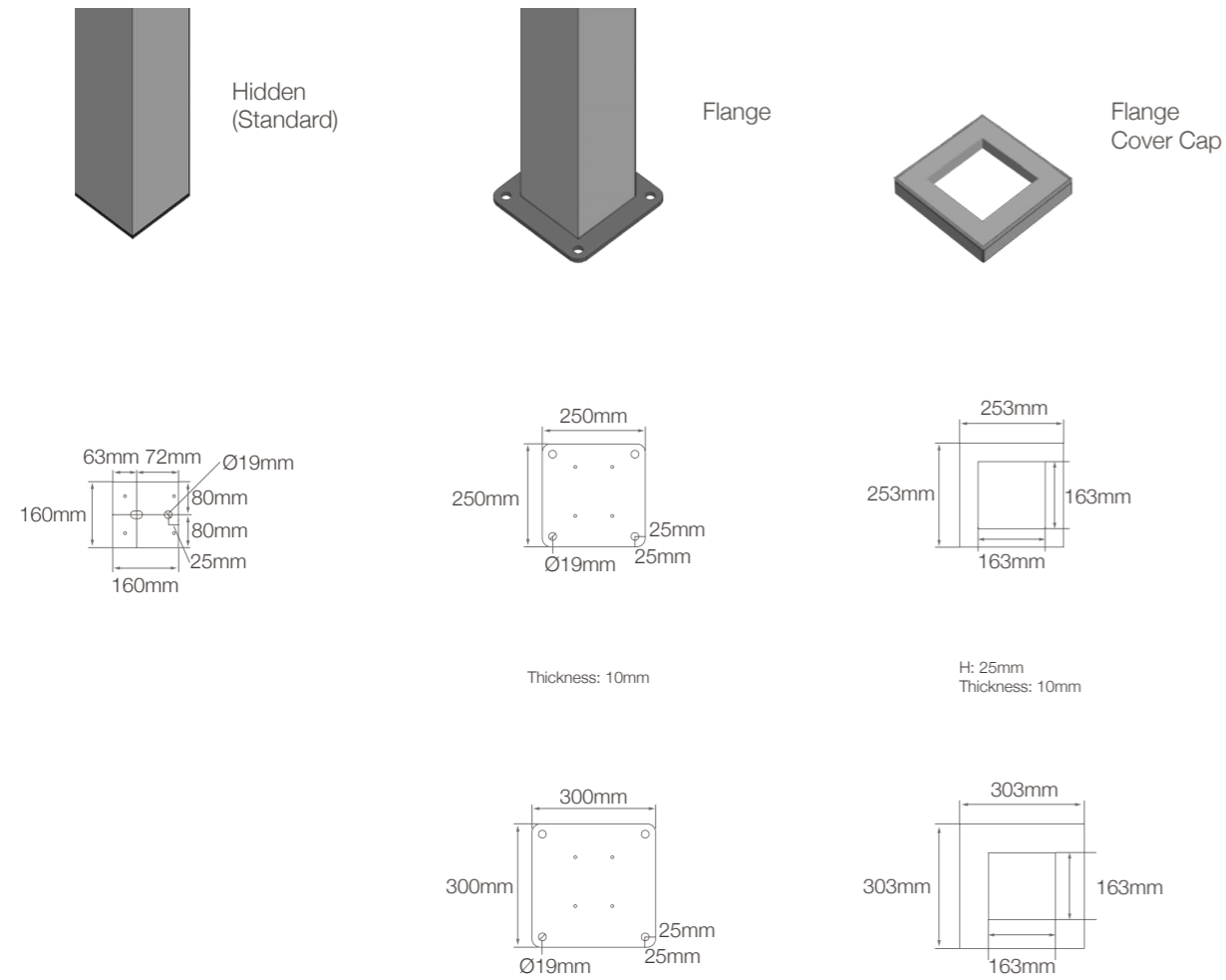


Intra-Column Drainage Pipe

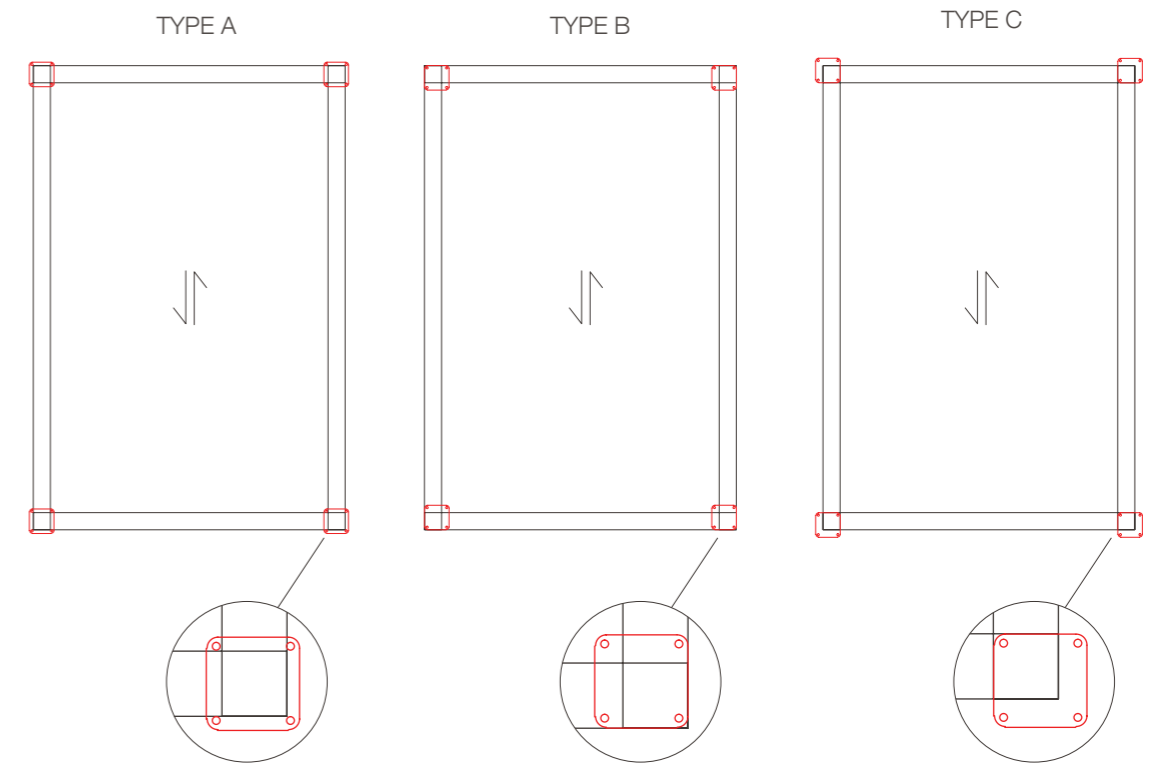
The water can be drained through internal drainage pipe and it eliminates factors that could block correct water flow. Intra-column drainage pipe collects the water and discharges to the ground.



Column Base Options

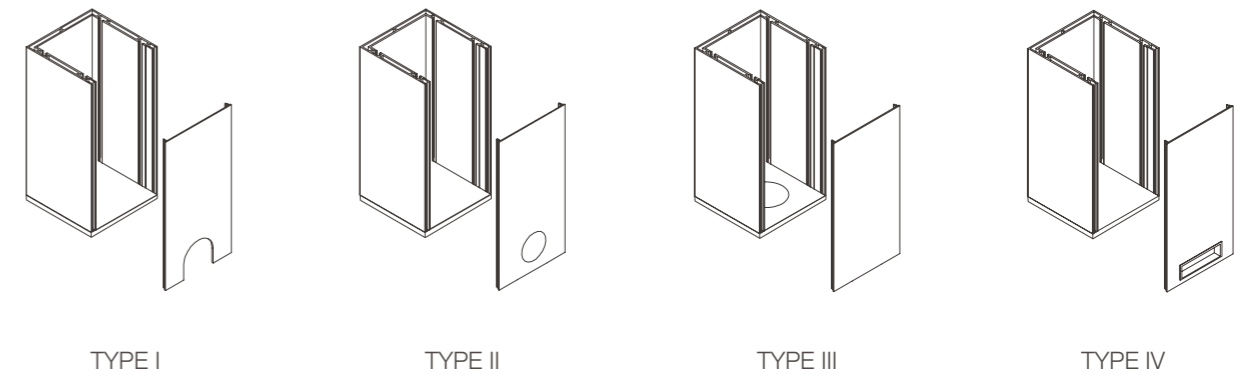


Flange Positions



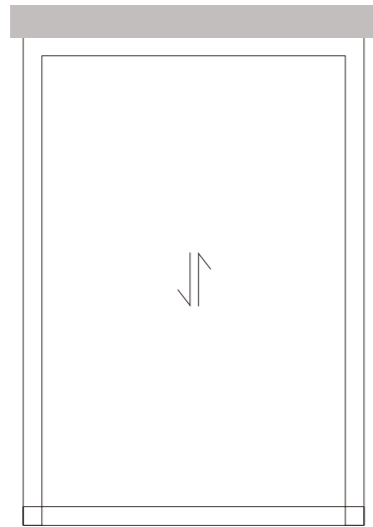
To be chosen only with flange option.

Drainage Types



Wall Installation

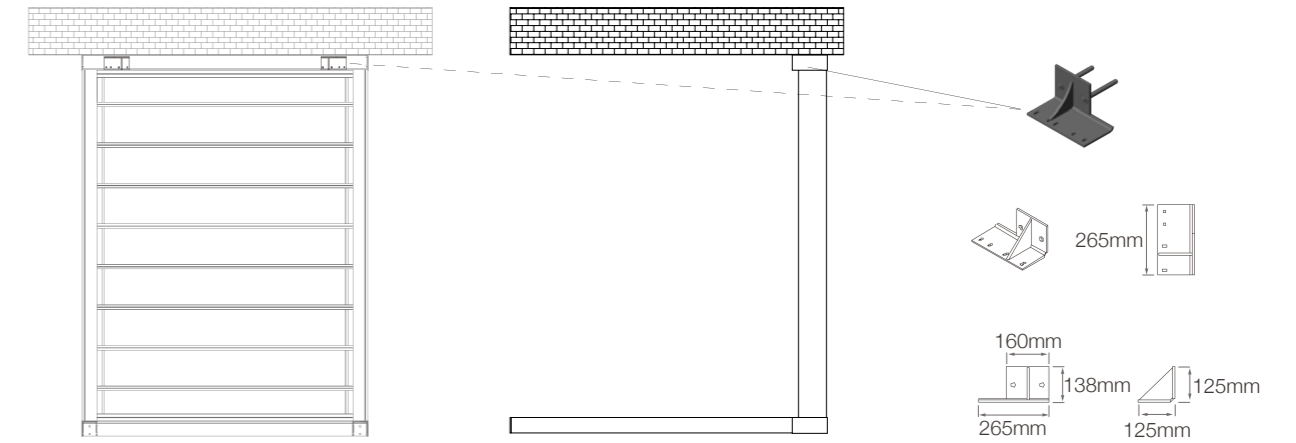
Parallel To Wall



Vertical To Wall

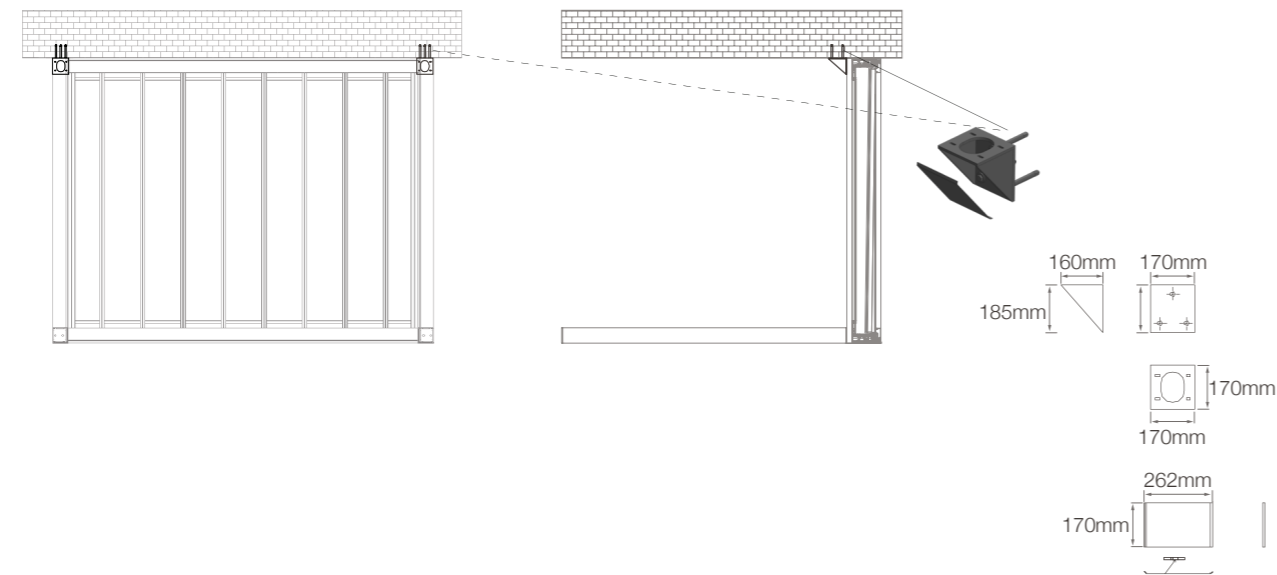


Inner (Hidden) Wall Bracket (Inox)

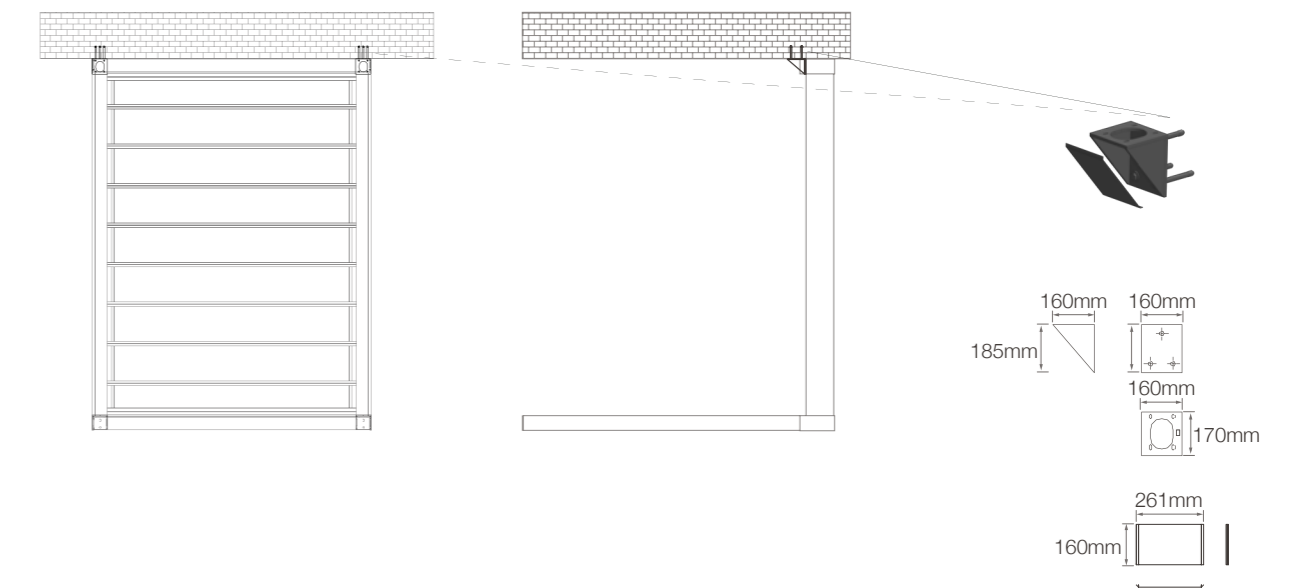


Hang Bracket Types

Vertical Mounting Outer Wall Bracket (Inox) With Optional Cover Cap

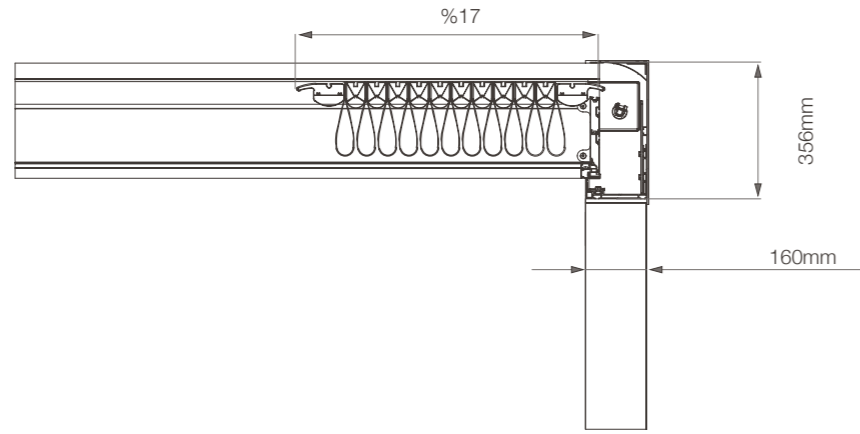


Parallel Mounting Outer Wall Bracket (Inox) With Optional Cap





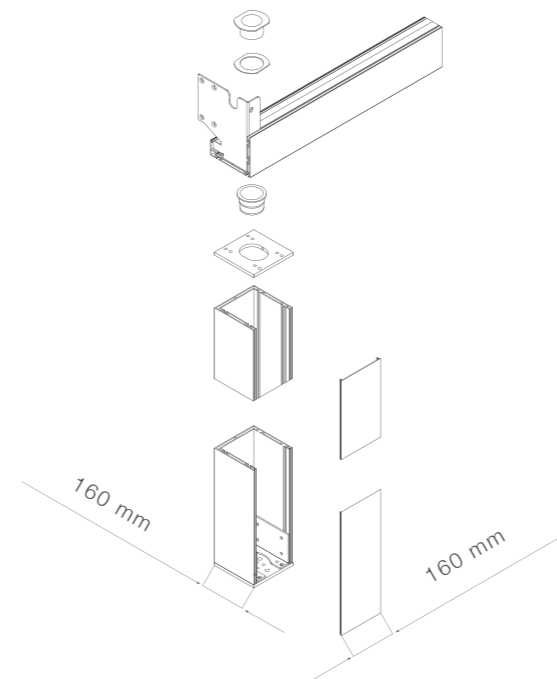
Side Elevation



Column Connection

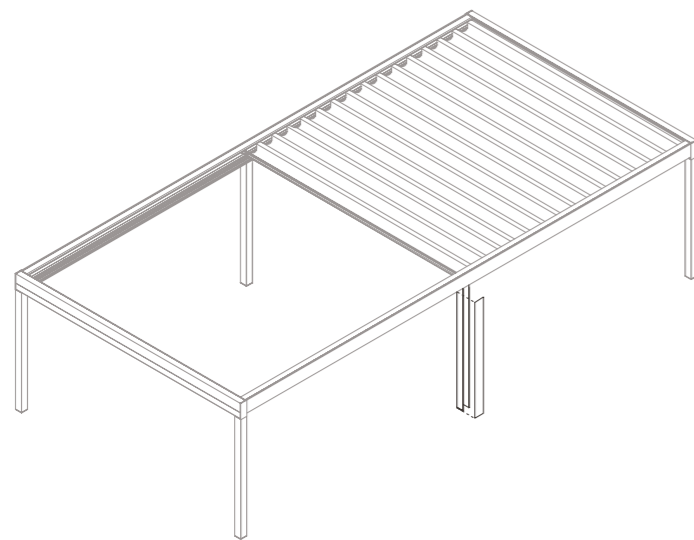
Thanks to ease of column base assembly each columns can be installed practically through a series of simple operations that guarantee installation quality and speed to reduce number of staff required.

The front column cap can be pulled out simply and inner column cavity conceals the wiring cables of heater, speaker or automation to provide clean appearance.



Support Column

Over 7000mm projection dimension support columns need to be used.



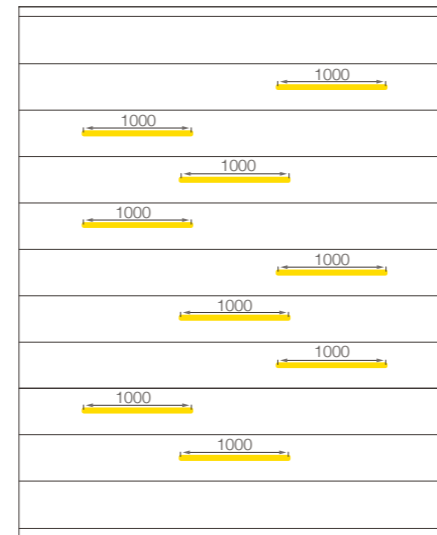


Linear Fabric Dimmer Led Configuration

Symmetrical

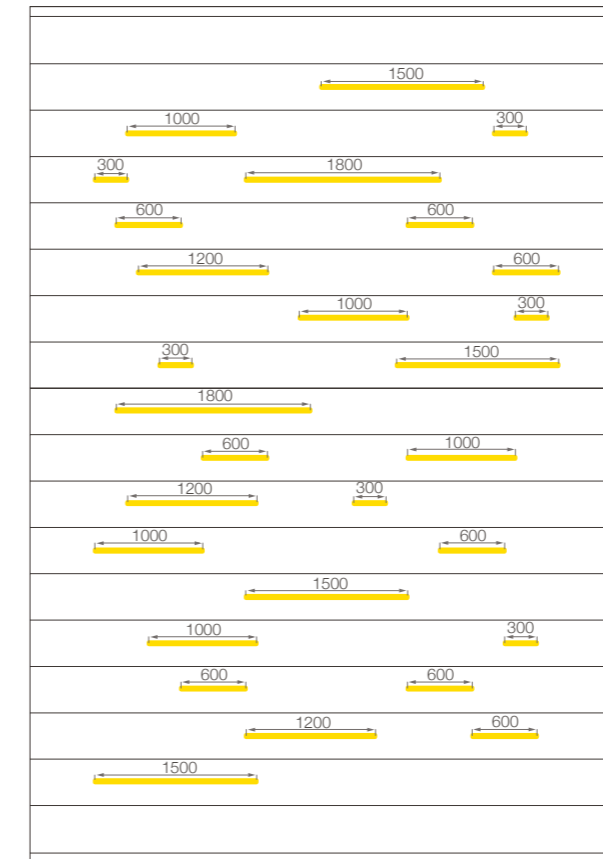


(w) Width
4000 mm > 5500 mm
(p) Projection
5000 mm > 8000 mm

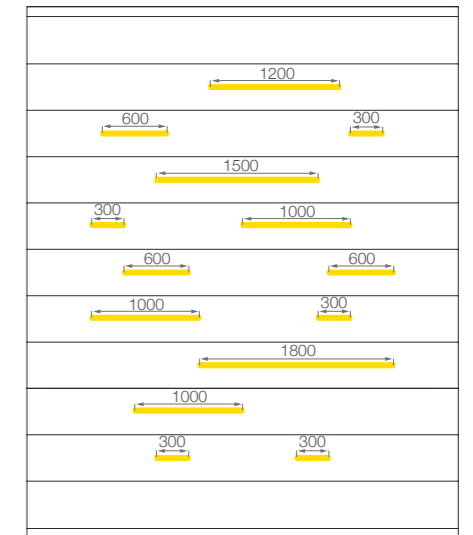


(w) Width
1500 mm > 4000 mm
(p) Projection
1500 mm > 5000 mm

Asymmetrical



(w) Width
4000 mm > 5500 mm
(p) Projection
5000 mm > 8000 mm



(w) Width
1500 mm > 4000 mm
(p) Projection
1500 mm > 5000 mm

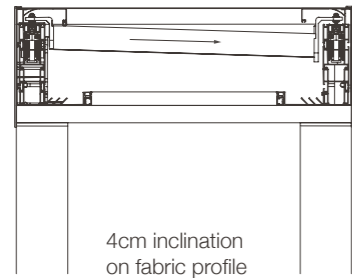
Water Flow

The fabric is equipped with invisible bilateral slope that enables one side or alternating drainage through rafters while keeping flat appearance.

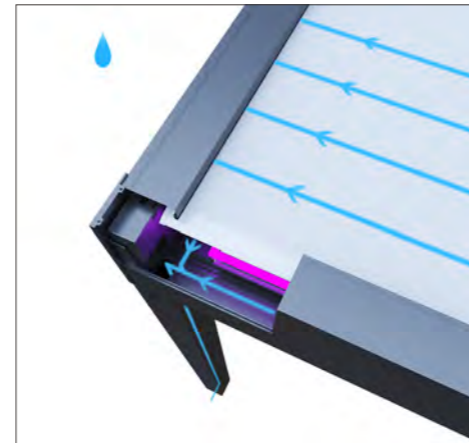
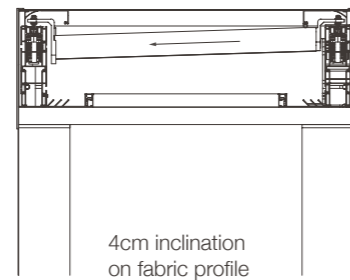
One Side Flow



Right Side Flow



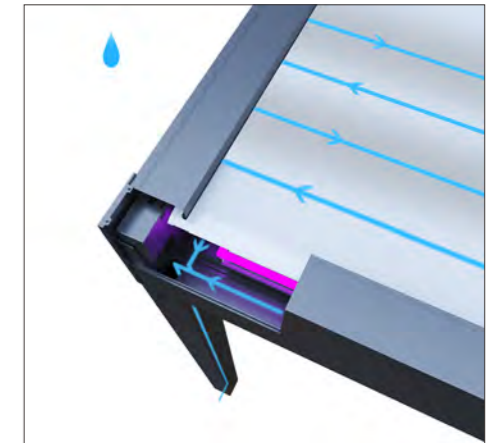
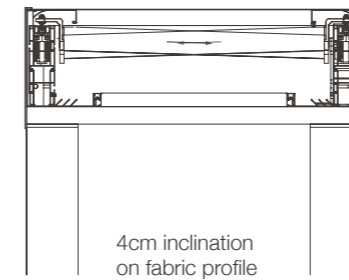
Left Side Flow



Alternating Flow



Double Sided Flow





Closures



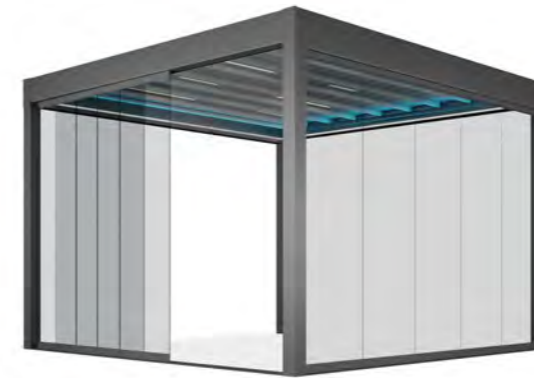
Sapphire/Cycle Guillotine Glass System
System can be adapted to Quattro system and offers a maximum clear span that provides unobstructed view & minimalistic style. The system is operated by just the touch of button.



Framee Sliding Glass System
Minimal line of Framee system is perfectly matching with modern architectural Quattro system by insulated fine-framed sliding glass panels. System offers a comfortable sliding with easy individual movement.



Swind-Motorised Windbreaker System
Swind can be combined with also Quattro system and offers adequate wind breaking with the option of total transparency by incorporating the function of balustrade. Thanks to led stripe dimmer lighting integrated side frame the fixed panel assigns distinctive appeal. The system is modular and completely flexible as there are no limits in the horizontal direction that can be used to surround spaces of all types and sizes.



Slidia Sliding Glass System
The combination of the sliding glass system with Quattro ensures efficacious protection from wind and rain. The aluminium frames which cover each glass panel provide maximum safety standards and practicality with elegance details.



Violet Glass Balustrade System
The adaptability of Violet fixed balustrade glass with Quattro creates a stunning visual transparency without lacking of obstruction to lines of sight. The stylish lighting solution that is integrated underneath the glass highlights attractive aspect of the design by amplifying overall aesthetic of outdoors. Thanks to flexible and multiple modular implementations, system can be used to cover comprehensive areas without limitation in the horizontal direction.

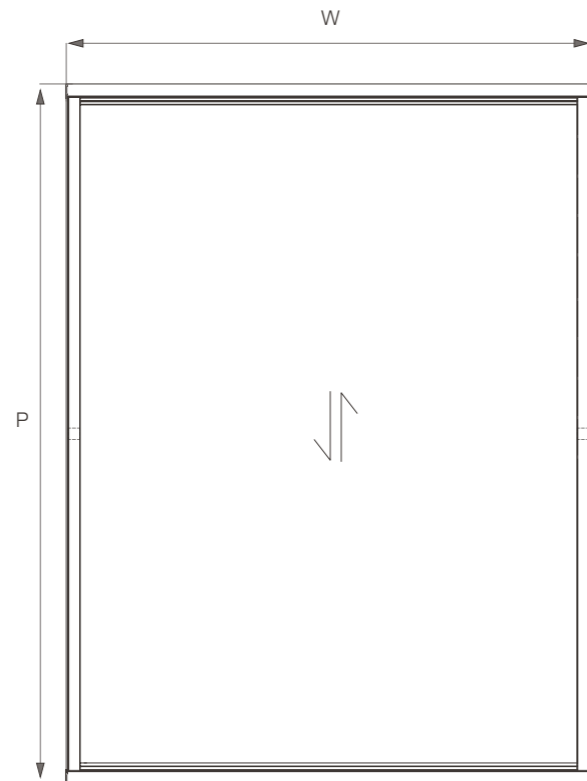
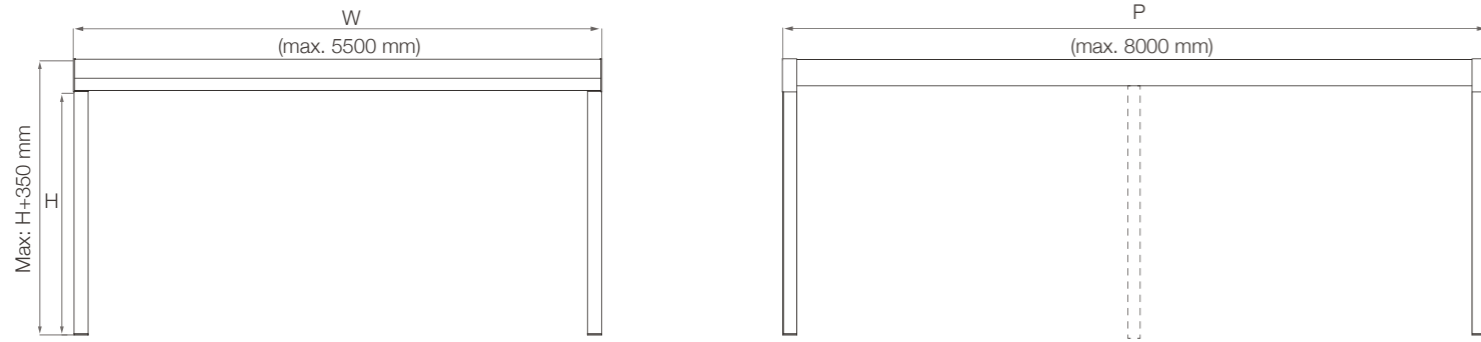


Vertex Zip Screen System
The minimalist, slimlane, contemporary design of the zip system provides comfortable shade and protects against the UV rays. The system includes motorised aluminium structure, entirely powder-coated with stainless steel bolts and screws.

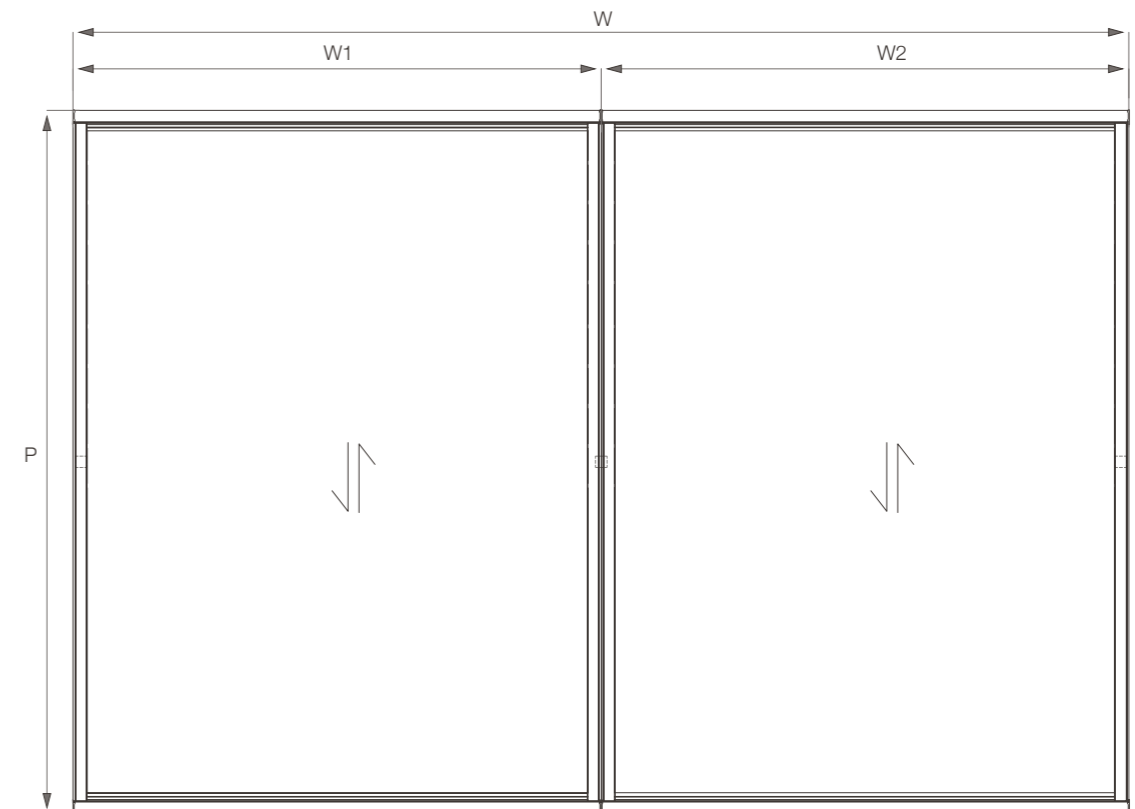
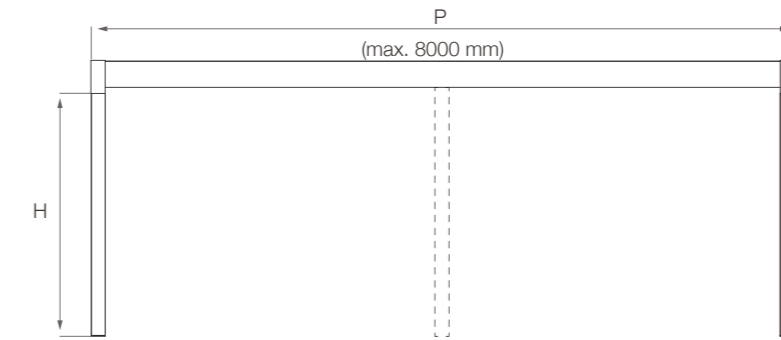
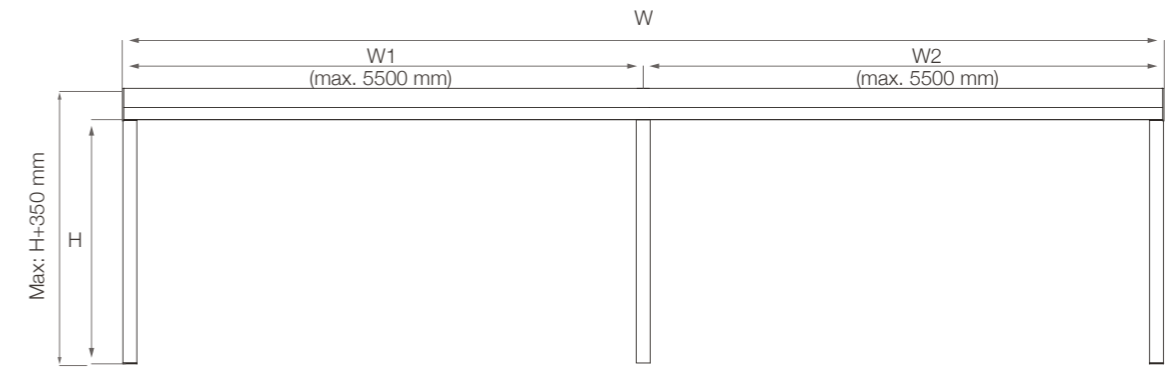


Wallfix Fixed Side Enclosure
The unique designed privacy of Wallfix side enclosure can be combined with Quattro system to optimise outdoor living areas visually.

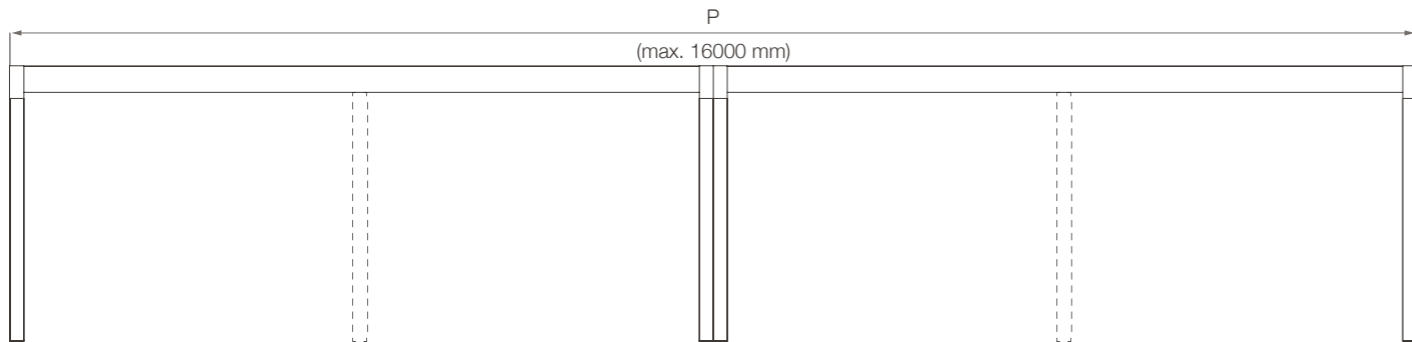
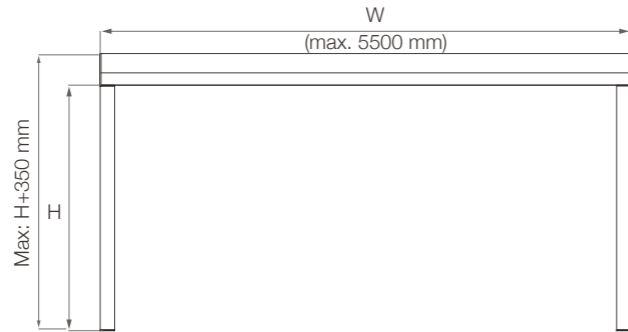
Single Module
W: 1500 mm < 5500 mm
P: 1500 mm < 8000 mm



Multiple Modules Type 1
W: 3000 mm < 11000 mm
P: 1500 mm < 8000 mm



Multiple Modules Type 2
 W: 1500 mm < 5500 mm
 P: 3000 mm < 16000 mm



Order Form

Company Name:
 Order Reference:

Order Date:

WATER FLOW

- One Side
 - Left
 - Right
- Alternating

INSTALLATION TYPES

- Self Standing
- Wall Mounting

QUANTITY: pc

If modules are multiple and each module is in different width or projection, please provide details (single module max. dimension is 5500x8000mm)

DIMENSIONS

W - Total Width.....mm
 P - Projectionmm
 H - Post Height.....mm
 Total Number of Posts Requiredpc

Type 1 Type 2
 W1mm P1mm
 W2mm P2mm

POWDER-COAT COLORS

- Structure
- | RAL colors | Exclusive colors | Texture colors | <input type="checkbox"/> Other ... |
|-------------------------------|--------------------------------|---------------------------------|------------------------------------|
| <input type="checkbox"/> 9016 | <input type="checkbox"/> OGN35 | <input type="checkbox"/> ST9010 | |
| <input type="checkbox"/> 1013 | <input type="checkbox"/> OS561 | <input type="checkbox"/> ST9001 | |
| <input type="checkbox"/> 9006 | <input type="checkbox"/> OY395 | <input type="checkbox"/> ST1013 | |
| <input type="checkbox"/> 7006 | <input type="checkbox"/> OGN39 | <input type="checkbox"/> ST7039 | |
| <input type="checkbox"/> 7016 | <input type="checkbox"/> ON617 | <input type="checkbox"/> ST7016 | |
| <input type="checkbox"/> 9005 | <input type="checkbox"/> ON611 | <input type="checkbox"/> ST8019 | |

FABRIC

- | Premium | Matt | Semi Transparent |
|--|--|---|
| <input type="checkbox"/> PW213 / White | <input type="checkbox"/> MW23 / White | <input type="checkbox"/> STRW22 / White |
| <input type="checkbox"/> PC211 / Cream | <input type="checkbox"/> MC26 / Cappuccino | <input type="checkbox"/> STRB33 / Black |
| <input type="checkbox"/> PG209 / Grey | | |
| Basic | Matt (Linear Fabric Dimmer Led) | <input type="checkbox"/> Other... |
| <input type="checkbox"/> WT785 / White | <input type="checkbox"/> LW22 / White | |
| <input type="checkbox"/> CR295 / Cream | <input type="checkbox"/> LCR33 / Cream | |
| Xclusive | <input type="checkbox"/> LC44 / Cappuccino | |
| <input type="checkbox"/> WTEX / White | <input type="checkbox"/> LG66 / Grey | |
| <input type="checkbox"/> CRMX / Cream | | |
| <input type="checkbox"/> GRYX / Grey | | |
| <input type="checkbox"/> BRDX / Bordeaux | | |

LED LIGHTS

- Led Stripe Dimmer Lighting
 - Cool White
 - Day Light
- RGB Led - Hidden Stripe Lighting
- HDD Lux High Power Led
 - *N/A with linear fabric dimmer led
 - *N/A with alternating flow
 - Dimmer Kit
- Linear Fabric Dimmer Led
 - *Only matt fabric collection is available
 - *N/A with alternating flow
 - Symmetrical
 - Asymmetrical

SENSORS

- Rain Sensor
- Wind Sensor
- Sun Sensor
- Wind&Sun Sensor

OPTIONALS

- Additional Post
- Drainage Pipe

COLUMN BASE OPTIONS

- Hidden (Standard)
- Flange
- Flange With Cover Cap

FLANGE POSITIONS

- Type A
- Type B
- Type C

DRAINAGE TYPES

- Type I
- Type II
- Type III
- Type IV

PACKAGING

- Standard
- Wooden Crate
 - Extra cost

ADDITIONAL NOTES & DRAWINGS ATTACHED



Technical Details



Max. width for single module	5500 mm
Max. projection single module	8000 mm
Rafter profile dimension	252x81 mm
Post dimension	160x160 mm
Fabric parking area	17%

Automation	included
Control unit	included
Led Stripe Dimmer	optional
RGB Led - Hidden Stripe lighting	optional
HDD Lux High Power Led lighting	optional
Dimmer Kit	optional
Linear Fabric Dimmer Led lighting	optional
Drainage pipe	optional
Flange	optional
Rain Sensor	optional
Wind Sensor	optional
Sun Sensor	optional
Wind&Sun Sensor	optional

Technical Specifications Quattro

Distinctive Aesthetic Style With
Intelligent Lighting Control

Description

Quattro is an exclusive high-tech version of pergola system composed of a high grade structural aluminium frame and retractable black-out fabric. System introduces unique, innovative lighting solution integrated inside the fabric layer.

Dimensions

One module

Width 1500 mm < 5500 mm

Projection 1500 mm < 8000 mm

Column Height 3000 mm

- Blocked assembly for customized modules with a wide range of flexible combinations.

Technical Characteristics

- Extruded aluminium frame, gutters - clean edges.
- Electrostatic powder-coated frame.
- High-quality aluminum extrusion profiles (Aluminium Alloy 6063-T6).
- High grade stainless steel connection components.
- Concealed screws to offer clean finish.
- Large span with 5500mm dimension.
- Remote control for operation of mechanism and lighting.
- One side or alternating drainage on sides by invisible 40 mm slope.
- Patented lighting technology integrated within the fabric layer (Symmetrical / Asymmetrical design options).
- Fully waterproof coverage.
- Internal rainwater down-pipe for columns.
- Heat resistant, %100 waterproof and flame retardant blackout fabric with alternative color options.
- Extended open sky when roof retracted (open sky up to %83).
- Invisibly integrated electrical cables.
- In addition to standard RAL colors, Exclusive and Texture range aluminium colors can be offered as extended selection.

- Applicability of guillotine, sliding / sliding frame / folding glass and zip systems.
- Compact 26 rpm direct drive motor box system to ensure smooth and quick operation.
- Patented F3 slider with four horizontal & four vertical wheels for smooth operation.
- High strength timing belt for balanced movement inside rafters.
- Production in compliance with CE, ISO 9001, ISO 1400 and NVA standards.

II | Profile Section Dimensions

- Rafter** : 252 mm x 81 mm x 2 mm
- Gutter** : 160 mm x 140 mm x 2,5 mm
- Column** : 160 mm x 160 mm x 3 mm

III | Installation Methods

- Individual modules can be customised according to specified finish up to 5500mm width and 8000mm projection with flexible installation methods such as integration into existing frameworks, wall mounting and free standing for larger outdoor areas.
- System can be assembled as single or multiple modules.

IV | Columns

- Dimensions: 160 x 160 mm x 3 mm.
- Simple column assembly.
- The column cap profile can be pulled out simply and inner column cavity conceals the wiring cables of heater, speaker or automation to provide pure appearance.
- 3 different column base options: Hidden, Flange, Flange With Cover Cap.

V | Weather Resistance

Wind Resistance

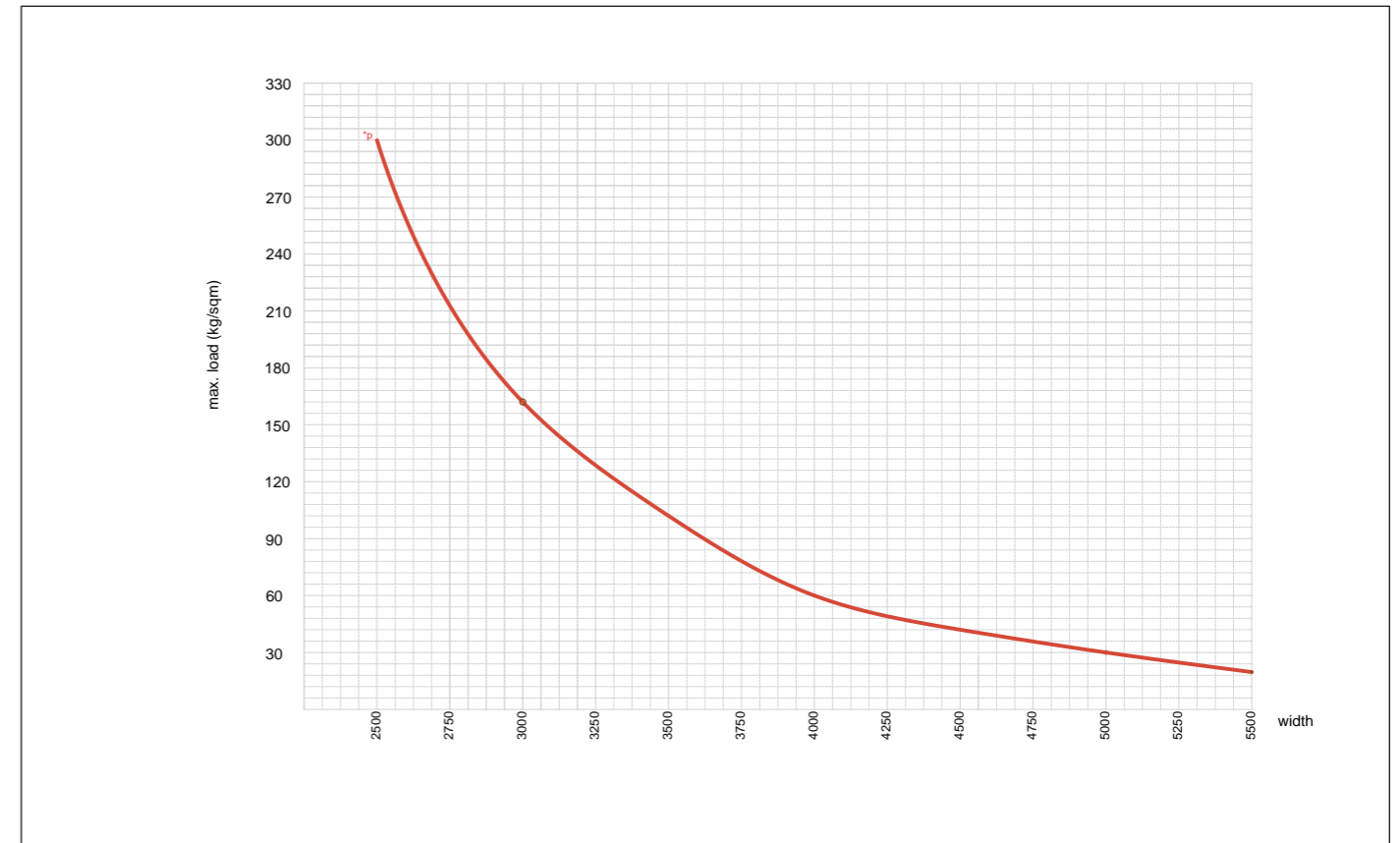
- Wind rating up to Beaufort number 10 (up to 102km/h).

Water Drainage

- The four sided gutter for completely ensured waterproofness.
- Water drainage with an intensity of 155 L/h/sqm that last up to 2 minutes maximum.
- Optional PVC pipe (Ø70) integration inside columns.
- Customised drain points flexibility.

Snow load

See dimension based snow chart below;



VI | Tests

Our systems are subjected to a variety of tests in order to check their resistance under every type of circumstances.

Tests done following the requirements of International Standards involving parameters such as wind resistance and rainfall or snowfall demonstrate the excellent performance of our pergolas against the most adverse conditions.



Standard UNE-EN 13659:2004+A class 6 (approx. 102 km/h) tested up to 102 km/h without breaking within test bench parameters.



≤300 kg/m² (including its own weight) Standard EN-1999 EUROCODE 9 aluminium structures project.
*Values will be decreased based width dimensions.



Standard UNE-EN 12056-3, (0,04 l/s max.) constant heavy rain aprox. 155 l.m²/h (structures + slats).

VII | Additional Equipments

- Heater, speaker, air conditioner or other automations can be integrated.
- Wind, sun, rain, sun and wind&sun sensors can be adapted.

VIII | Lighting

Integrated RGB-Led Hidden Stripe and Led Stripe Dimmer Lighting on sides within the structure. Linear Fabric Dimmer Led Lighting into the fabric layer and HDD Lux High Power Led Lighting on the lighting profile.

- Led Stripe Dimmer Lighting

- Cool White, 60 LEDs/m I +5100-6500K I 1130 lumens/m
- Day Light, 120 LEDs/m I +2800-3500K I 1094 lumens/m

- RGB Led-Hidden Stripe Lighting

60 LEDs/m

- Linear Fabric Dimmer Led Lighting

Cool White, 120 LEDs/m I *6000-6500K I *3120 lumens/m

*Values will be highly decreased by fabric colour.

- HDD Lux High Power Led Lighting

- Cool White, +/-5550 K I 200 lumens/pc
- Day Light, +/-2920 K I 160 lumens/pc

*Dimmer option is available.

IX | Sensors

Rain, wind, sun and wind & sun sensor can be adapted for an optimum level of comfort. These smart sensors are designed to respond fully automatic based on weather conditions in a specific situation. It functions as a protection against unexpected weather conditions. Sensors will activate an automated system that close/retract the roof and protect the furniture & underneath of covered area even if you are not able to control the system.

Wind sensor

Wind sensor monitors the gust of wind then retract your outdoor product to protect it against unexpected strong winds and offers constant protection.

The wind speed value required to do this is set directly at the sensor. If the wind picks up significantly wind sensor will retract the roof depending on a pre-set wind speed. Thanks to ease of installation and minimal cabling it can be setup simply.

Sun sensor

Sun sensor provides automatic control of your outdoor coverings based on sunlight levels. It is used to respond to the intensity of the

sun by controlling your pergola system accordingly.

It will adjust your roof position based on the sunlight intensity allowing you to control the sun light entering your house.

The sensor will close the roof when sunlight exceeds the set threshold automatically to create a comfortable outdoor living area by increasing energy efficiency and protecting furnishings from UV damage.

The sun sensor will activate and close the roof according to amount of light decreases.

Rain sensor

Rain sensor will automatically detect the rain and close your roof to prevent raindrops falling through open roof systems even if you are not able to control the system.

If rain is detected the pergola will be closed and the remote control will be needed to open it back.

Wind & Sun Sensor

Wind & Sun Sensor can be used together. Once the sun is above the sensitivity level the roof will close automatically to offer maximum convenience. If the wind picks up significantly wind sensor will retract the roof depending on a pre-set wind speed.

X | Closures

Systems can be completely enclosed with Sapphire automatic vertical glass system, Swind windbreaker system, Violet, Framee, Slidia or motorised Vertex zip for further protection from the elements.

Sapphire

Sapphire is an automatic vertical guillotine glass system enriched with patented worm shaft technology.

- Systems can incorporate framed tempered 8 mm and 10 mm single or 4mm+12mm+4mm / 5mm+10mm+5mm double insulated glazing.
- Optional 2 or 3 panels configurations are available up to 4 meters width and 3 meters height or 3 meters width and 3,5 meters height.
- Electrostatic powder-coated frame.
- Operation is motorised.
- Upwards or downwards parking position options.
- Fixed panels can be used as balustrades.
- The position of movable panels can be adjusted according to desired height.
- Thanks to strengthened counterweight movement mechanism motor provides balanced&silent up/down operation.
- Fully hidden motor drive.
- Switch, remote or smart home control availability.
- Fine frames with thermal and sound insulated rubber seals.
- Wide open view with up to 4 meters width vertical glass panels.



Cycle

Cycle is an automatic vertical guillotine glass system with strengthened chain mechanism.

- Systems can incorporate framed tempered 5mm+11mm+5mm double insulated glazing.
- Optional 2 or 3 panels configurations are available up to 4 meters width and 3 meters height or 3 meters width and 3,5 meters height.
- Electrostatic powder-coated frame.
- Motorised operation with switch, remote or smart home control availability.
- Upwards or downwards parking position options.
- Balustrade usage ability with the handrail design that covers the glass panels.
- The position of movable panels can be adjusted according to desired height.
- Thanks to strengthened counterweight movement mechanism motor provides balanced&silent up/down operation.
- Fully hidden motor drive.
- Protected usage with safety sensor.
- Fine frames with thermal and sound insulated rubber seals.
- Easy assembly & disassembly with compact guide profile consisting of four parts.
- Wide open view with up to 4 meters width vertical glass panels.

Swind

Swind is an automatic vertical up-down glass panel.

- Electrostatic powder-coated frame.
- Extruded aluminium fix panel frame.
- Concealed screws to offer clean finish.
- Horizontal counterweight for smooth motion.
- High strength belt mechanism for balanced movement.
- 10mm fixed and 8mm up-down automatic moveable tempered glass panels.
- Frameless moveable glass panel for unobstructed view.
- Led stripe dimmer lighting integrated side frame / invisible electrical cables.
- Remote control for operation of mechanism and lighting.
- Fast opening-closing cycle.
- Fully hidden compact direct drive motor system.
- Ease of installation with single or multiple modules.
- Portability with optional wheel integration.
- Availability of usage as balustrade in closed position.
- Transparent panels in standards besides Smoked, Green, Blue and Bronze color options.

Violet

Violet glass balustrade system.

- Concealed screws to offer clean finish.
- Glass fixed pane is 8+1.52 pvb+8mm.
- Led stripe dimmer lighting integrated underneath the glass / invisible electrical cables.
- Remote control for operation of lighting.
- Ease of installation with single or multiple modules.
- Availability of usage as Hand Rail (Optional).
- Compact & Easy Assembly.
- Transparent panels in standards besides Smoked, Green, Blue and Bronze color options.

Framee

Framee, sliding glass system with fine-framed double glazed panels.

- Double insulated glass (6+12+6mm).
- Transparent sliding glass panels in standard besides of Blue, Green, Smoked and Bronze glass color options.
- Electrostatic powder-coated frame.
- Handle with Click Lock on first panel and Handle with Hidden Lock on the last panel on internal side of sliding panels for security measures.
- Combination availability with Vertex Zip System for sun protection.
- Available with 2,3 or 4 rails up to maximum 8 panels combined with side or central openings.
- Natural, stainless steel and black anodise color options.

Slidia

Slidia is a sliding glass system with individual parallel glass panels.

- Electrostatic powder-coated frame.
- Features slim aluminum glass profiles.
- Individual panels can be moved horizontally with single or double slide options.
- Bottom wheel carriages with double rollers ensure optimum and smooth running even with wide glass panels.
- Successive panels can be moved by the grap mechanism.
- Height adjustable wheel carriages up to 5mm.
- Sloped rail design for efficient drainage.
- Anodised bottom rail for easy and smooth movement.
- Rain and wind resistance by double sided transparent gaskets (standard), transparent gaskets with brush or aluminum slats with brush.
- Brush and rubber cord for high frame insulation.
- Anti-slip rubber ensures safety passage and also offers ease of rail surface cleaning.



- Transparent sliding glass panels in standard besides of Blue, Green, Smoked and Bronze glass color options.
- Internal or external locking of the sliding panels by optional key lock for security measures.
- Flush Circle and Push & Pull Bar handle types and Allen&Key lock.
- Combination availability with Vertex Zip System for sun protection.
- Available with 3 or 5 rails up to maximum 10 panels, combined with side or central openings.

Vertex Zip System

Vertex is a motorised external blind system.

- It provides comfortable shade and protects against the UV rays.
- The system includes motorised aluminium structure.
- Each screen has a pair of identical side channels.
- Entirely powder-coated with stainless steel components.
- Maximum protection against solar radiation and penetration of heat while preserving the optimal level of natural light in the interior and contact with environment.
- The production technology of fabrics ensures a high resistance to external influences such as wind or changes in temperature and

Wallfix

Wallfix is an aluminum louvered fixed wall system.

- Electrostatic powder-coated frame.
- High-quality aluminum extrusion profiles (Aluminium Alloy 6063-T6).
- Compact & Easy Assembly with click louvre connection.
- Clean finishes with hidden joining details.
- Extruded aluminium fine line fixing frame.
- Concealed screws to offer clean finish.
- Large span with 6000mm dimension.
- Sound and heat insulation with double layered louvre (panel) design.
- Maximum safety with block assembly.

Doors

Glass door

- Frameless hinged and frameless hydraulic glass doors are available.
- Single tempered glass (10mm).
- Available with single panel and double panels (each panel in maximum 1000mm).
- Flush Circle and Push & Pull Bar handle types and Allen&Key lock.
- Transparent panels in standards besides Smoked, Green, Blue and Bronze color options.
- Handle position height can be adjusted as desired (Standard height value is 110cm).
- Allen&Key lock for security.

Framed glass door

- Hinged and hydraulic framed glass doors are available.
- Electrostatic powder-coated frame.
- Available with double insulated single panel and double panels (each panel in maximum 1000mm).
- Double insulated glass (4+11+4mm).
- Transparent panels in standards besides Smoked, Green, Blue and Bronze color options.
- Handle position height can be adjusted as desired (Standard height value is 110cm).
- Internal or external locking of the sliding panels by optional key lock for security measures.
- Push & Pull Bar handle types.
- Pull Handle/ Lock.

Photocell Door

- Aluminum framed automatic glass door.
- Electronic lock.
- Possibility of manual usage in emergency situations.
- Electrostatic powder-coated frame.
- Available in Laminated glass (4+4mm).
- Single panel and double panel options (each panel in maximum 1000mm).
- Fast opening-closing cycle and insulation materials for preserving heat balance between indoor and outdoor.
- Transparent panels in standards besides Smoked, Green, Blue and Bronze color options.
- One side button or double side button and double sided transition control types.



XI | Structure Color Options / Finishes

- The products are available with a wide range of colour options in standard or architectural textured coatings.
- In addition to standard RAL colors, Exclusive and Texture range aluminium colors can be offered.
- QualiMarine and Qualanod finishes are also available beside of Qualicoat finishes.

XII | Warranty

	Quattro	Sapphire	Cycle	Swind	Violet	Framee	Slidia	Vertex	Wallfix
Structure & Coating	5 years	5 years	5 years	5 years	5 years	5 years	5 years	5 years	5 years
Mechanics	2 years	2 years	2 years	2 years	N/A	2 years	2 years	2 years	N/A
Motor & Control Units	2 years	2 years	2 years	2 years	2 years	N/A	N/A	2 years	N/A
Lighting & Control Units	2 years	N/A	N/A	2 years	2 years	N/A	N/A	N/A	N/A
Fabrics	5 years	N/A	N/A	N/A	N/A	N/A	N/A	5 years	N/A

* Warranty of Semi-Transparent fabric is 2 years.

* End user and installation defects are not covered.

ENQUIRIES AUSTRALIA WIDE

Phone: 1300 856 499
 Email: sales@sbdau.com.au

HEAD OFFICE

Structures By Design Australia
 16/15 Earsdon St
 Yarraville, VIC 3013
 Phone: 1300 856 499

Operations

One Side



Alternating



Lighting Options

Led Stripe Dimmer Lighting



RGB Led-Hidden Stripe Lighting



HDD Lux High Power Led Lighting



Linear Fabric Dimmer Led Lighting



Sensors

Rain Sensor



Sun Sensor



Wind Sensor



Wind & Sun Sensor



Installation Types

Self Standing Single Module



Self Standing Multiple Modules



Wall Mounting Single Module



Wall Mounting Multiple Modules



Closures

Sapphire & Cycle



Swind



Violet



Framee



Slidia



Vertex



Wallfix

