

# AXIS MAX

Enlarge and optimise your outdoor living spaces

Ultimate control over outdoor experience with innovative concept and large module dimensions.

Axis Max is a rotatable bioclimatic system which is designed to enhance your exteriors to create customised outdoor architectural solutions with its considerable large dimensions.

System can be extended up to 12 meters projection and 13,5 meters of width dimensions that is a practicable option especially for lengthwise applications and efficient solution with covering of large commercial areas.

Axis Max is uniquely flexible and modular custom built to be configured to fit numerous type of large application areas such as restaurants, hotels, cafes either private or commercial with its high functional performance.

The capable of covering large areas with its maximum dimensions makes Axis Max one of the most sought-after model. The distinctive form of Axis Max enables the possibility to combine more modules to cover wider areas with its modular structure that allows you creating multiple spaces.

The perfect compromise & compact design brings versatility for innovative concepts and modern style. Axis Max offers you protection and optimal use of outdoor space allowing you to instantly adjust sunlight, creating a refreshing ventilation in the event of high temperatures or sheltering from the weather along with its rotational louvre movement.

The aerofoil aluminium louvres can be tilted up to 85° with a smooth and silent rotating movement by internal motor. It is possible to operate the louvres according to desired angle creating ventilation and shadow.

Axis Max is 100% water-resistant and withstands water penetration even under severe weather conditions. The water is drained through integrated lateral gutters and columns acting as drainpipe so the system can ensure maximum rain, snow and sun protection in fully closed position.

System is visually enriched with its elegant Hidden Led Stripe and RGB lighting options that can be adjusted according to current mood of user. Also optional insulation foam is available that enables heat and sound insulation.





■ Led Stripe Dimmer Lighting

■ RGB Led-Hidden Stripe Lighting



**Led Stripe Dimmer Lighting** illuminates all around the system and creates a warm atmosphere. Dimmable Soft Led Stripe lighting on sides within the structure provides intensity of day light or cool white options.

**RGB Led-Hidden Stripe Lighting** provides ultimate luxury by creating distinctive atmosphere in outdoor living areas with infinite colour options.



# Operations

Fully Closed



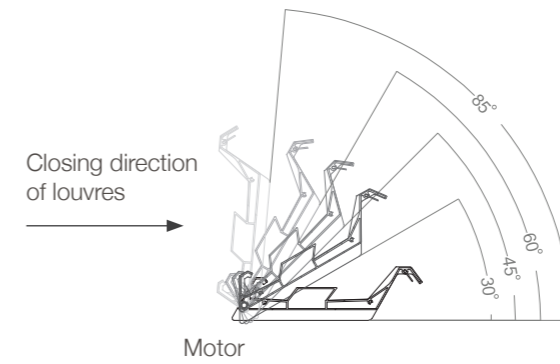
Tilted



Tilted & Fully Closed



## Louvre Closing Direction

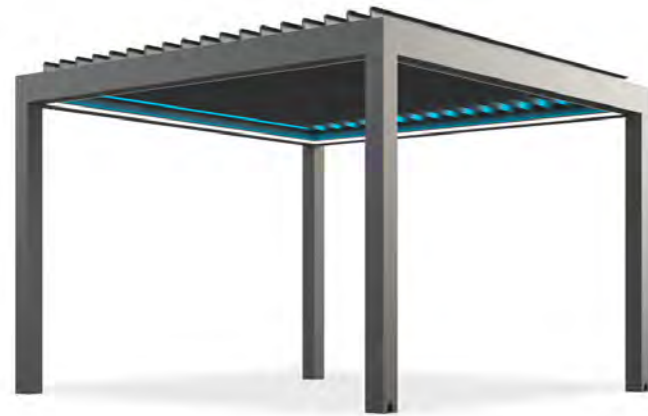


## Tilting Directions





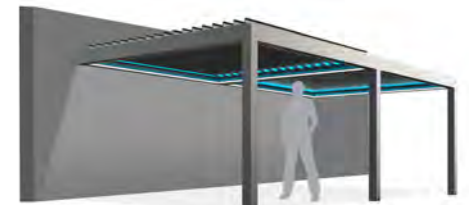
Flexible installation methods are available with wall mounting and free standing installations and they can even be served as a roof assembled to existing frameworks.



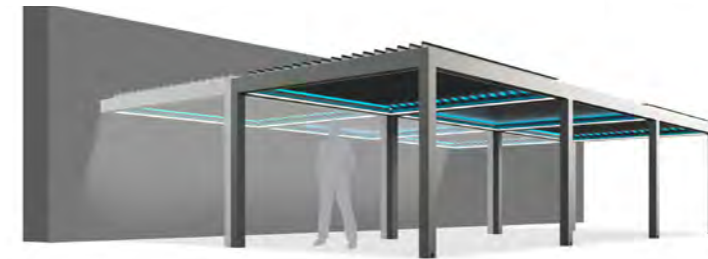
Self Standing  
Single Module



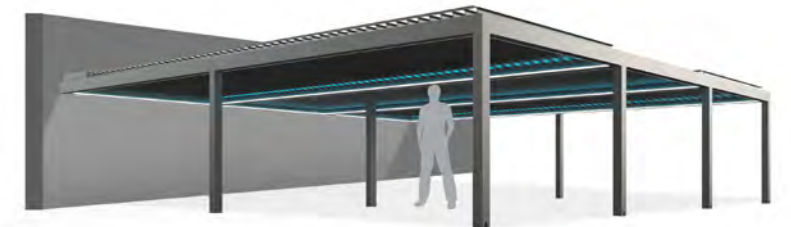
Wall Mounting  
Single Module



Self Standing  
Multiple Modules



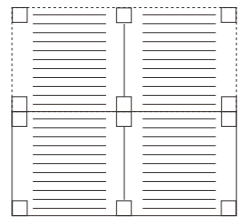
Wall Mounting  
Multiple Modules



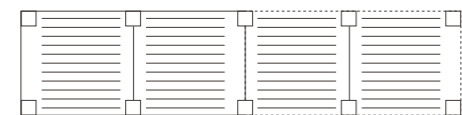
Blocked assembly for customized modules with a wide range of flexible combinations.



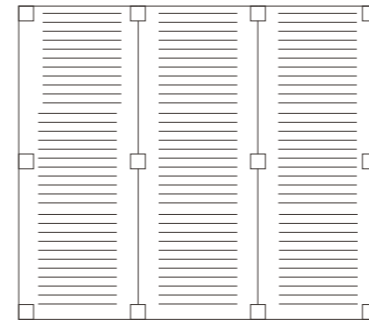
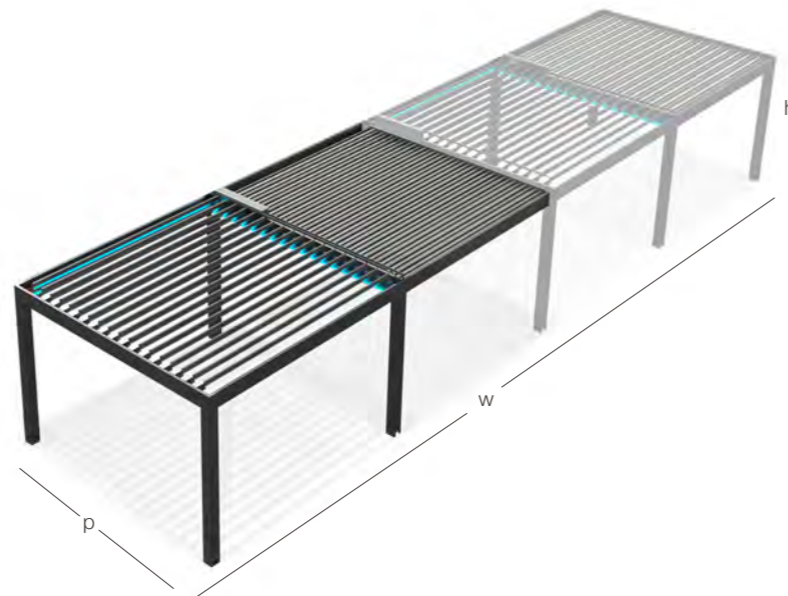
(w) Width  
1000 mm < 4500 mm  
(p) Projection  
1484mm < 12092mm  
(h) Height  
3000 mm



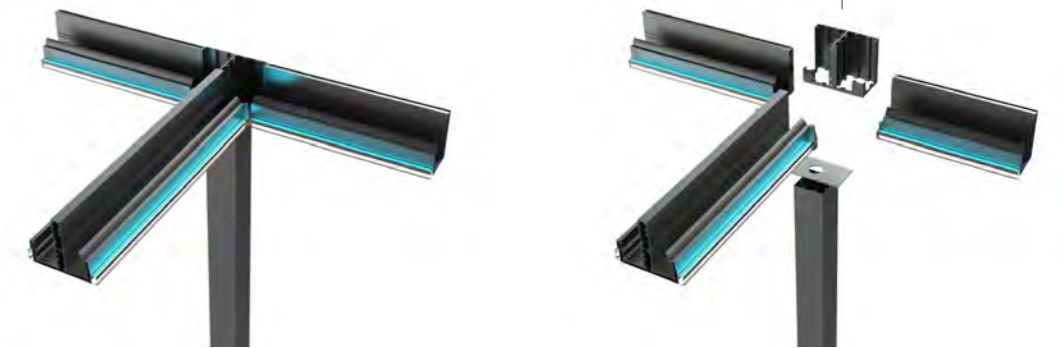
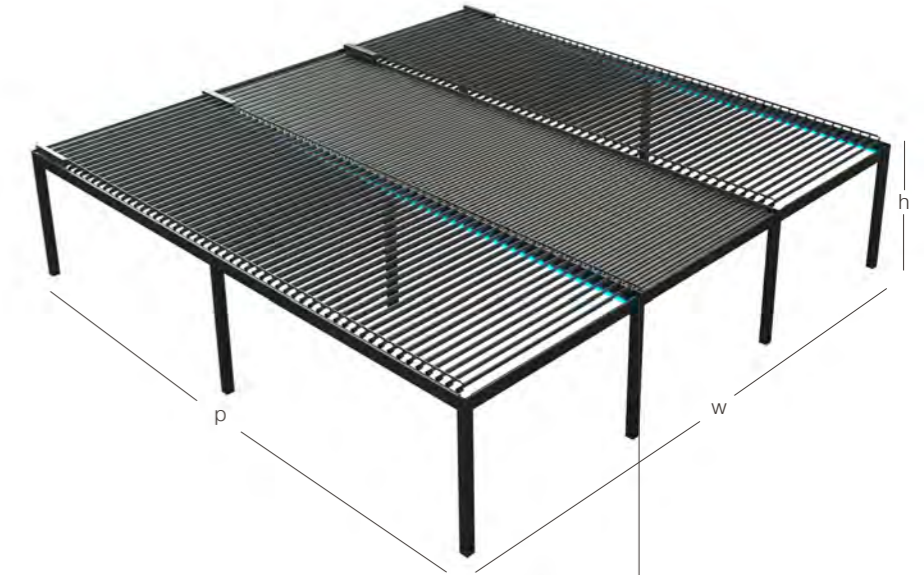
(w) Width  
2000 mm < 9000 mm  
(p) Projection  
2968mm < 24184mm  
(h) Height  
3000 mm



(w) Width  
4000 mm < 18000 mm  
(p) Projection  
1484mm < 12092mm  
(h) Height  
3000 mm

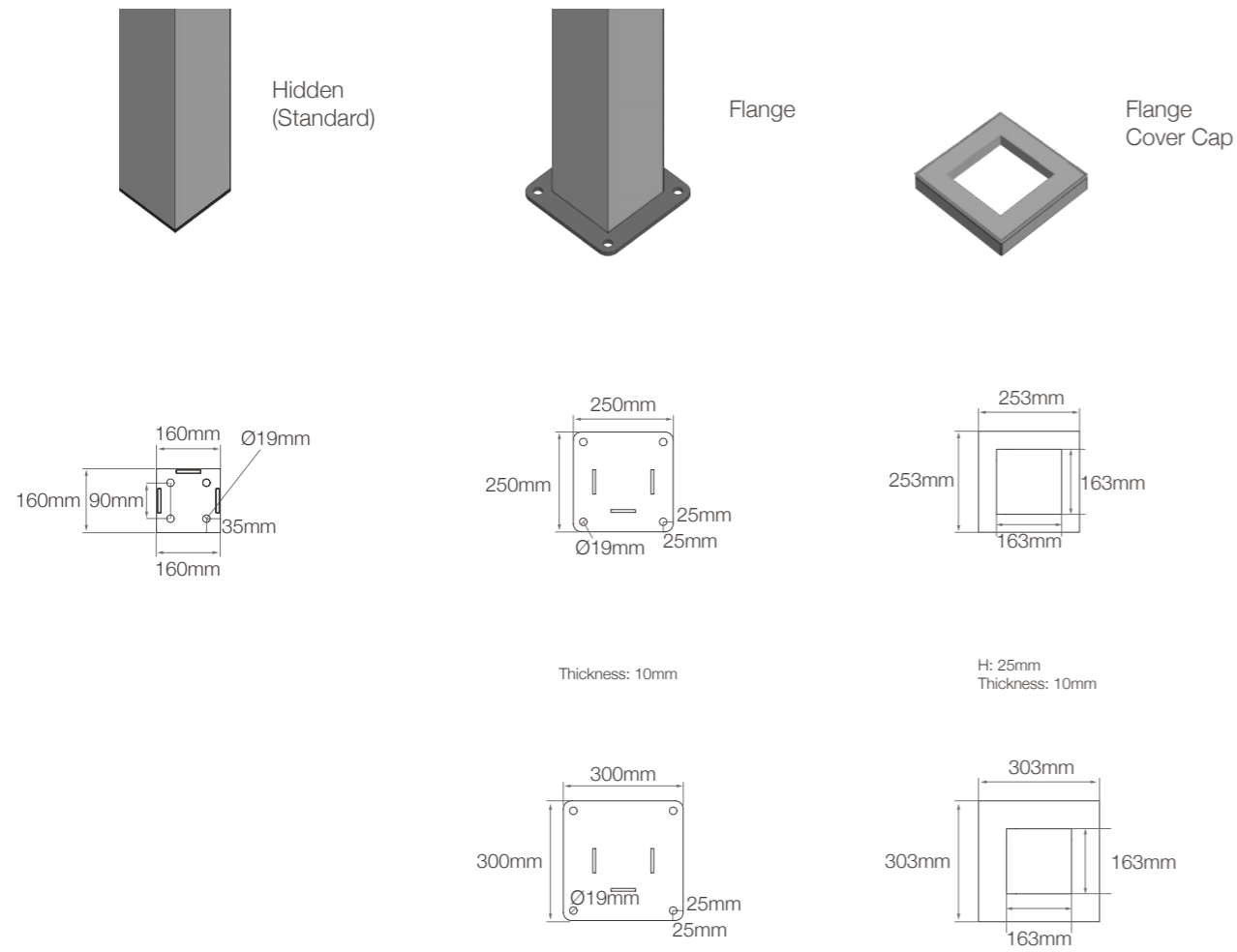


(w) Width  
3000 mm < 13500 mm  
(p) Projection  
1484mm < 12092mm  
(h) Height  
3000 mm

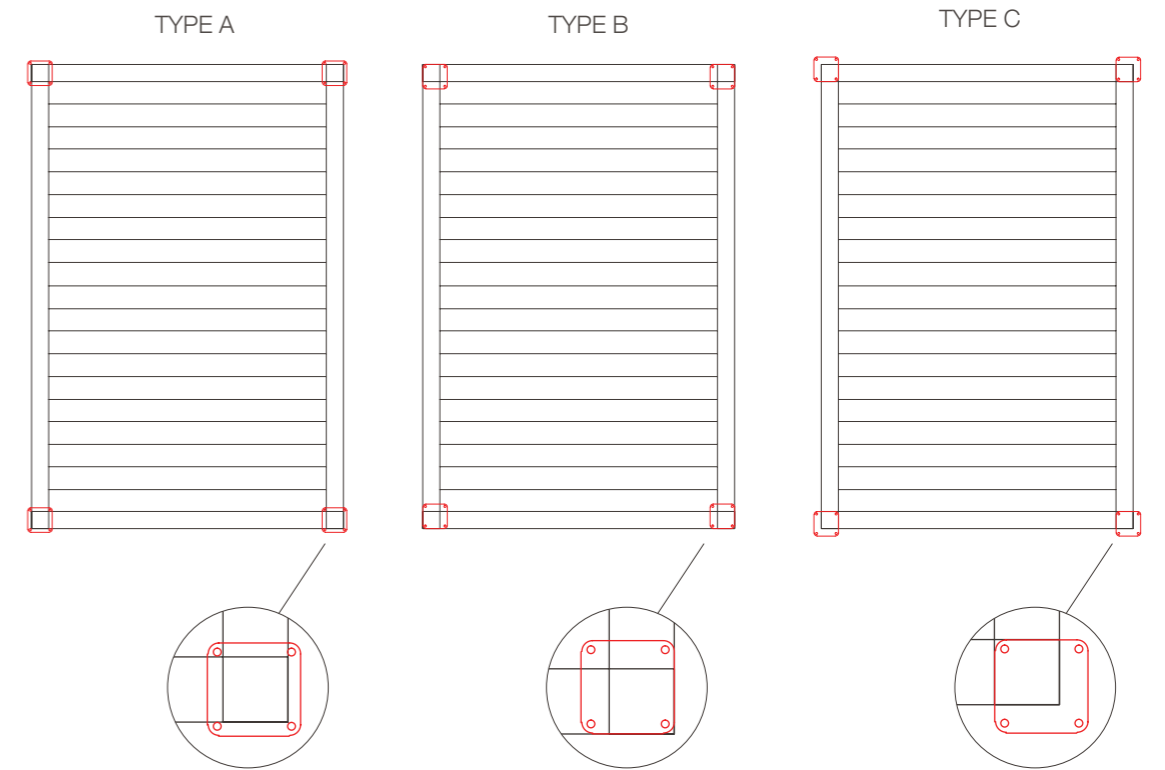


Special double sided single rafter integration to enlarge module dimensions.

### Column Base Options

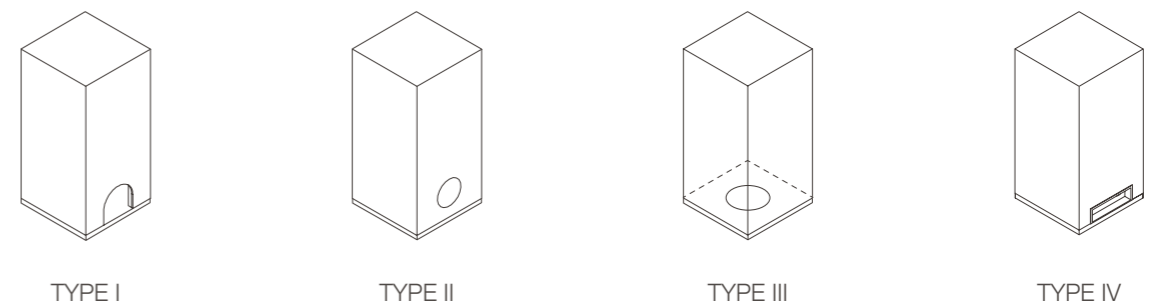


### Flange Positions



To be chosen only with flange option.

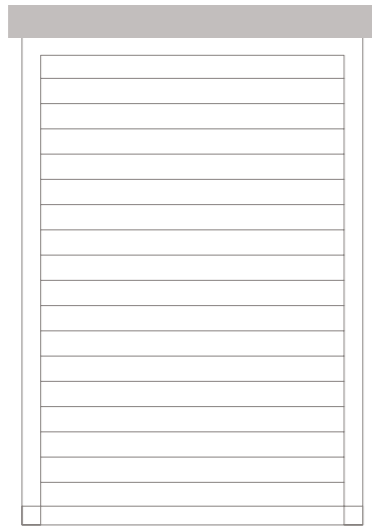
### Drainage Types



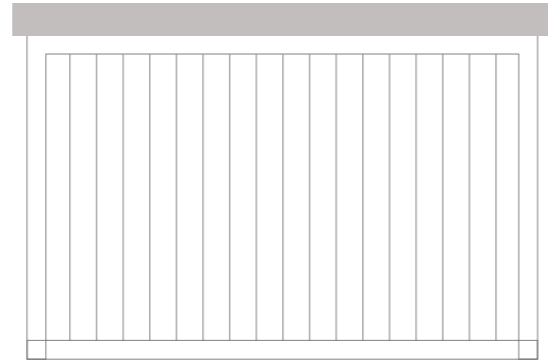


## Wall Installation Louvre Positions

Parallel To Wall

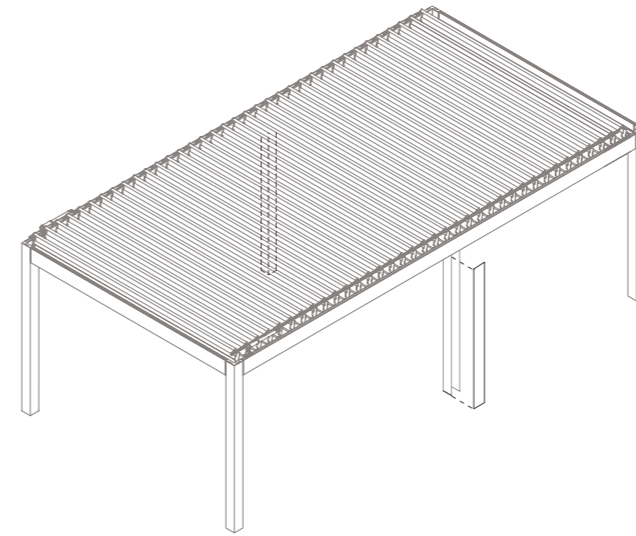


Vertical To Wall

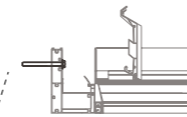
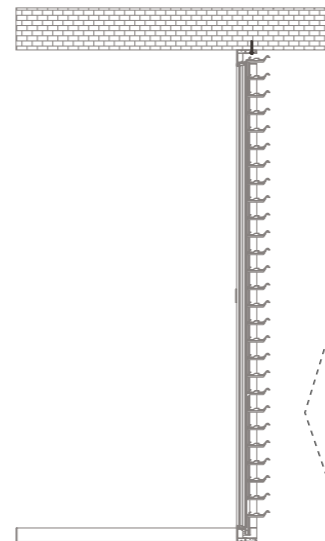
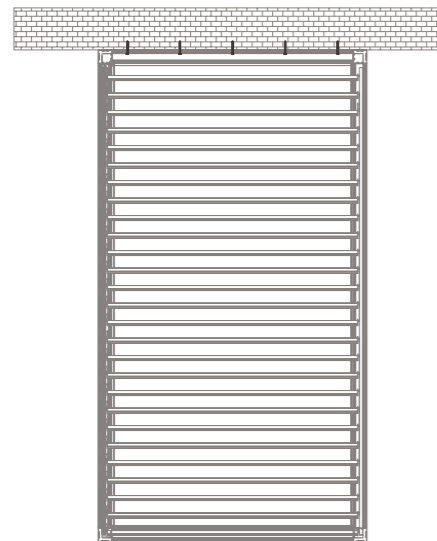


## Support Column

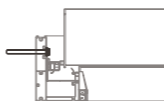
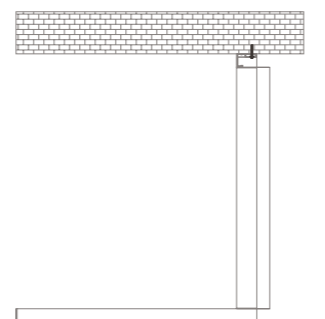
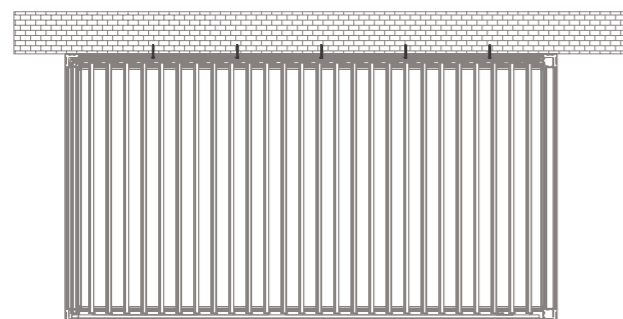
Over 6882 mm projection dimension support columns need to be used.



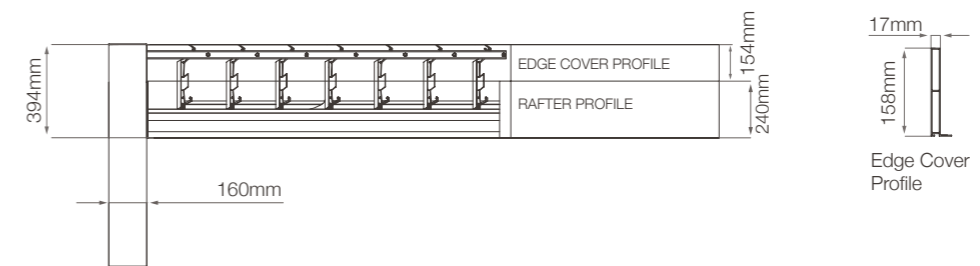
## Mounting



Easy wall mounting by screwing inox bolts through gutter profile. Any additional brackets are not required.



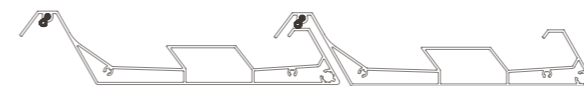
## Side Elevation



Edge Cover Profile

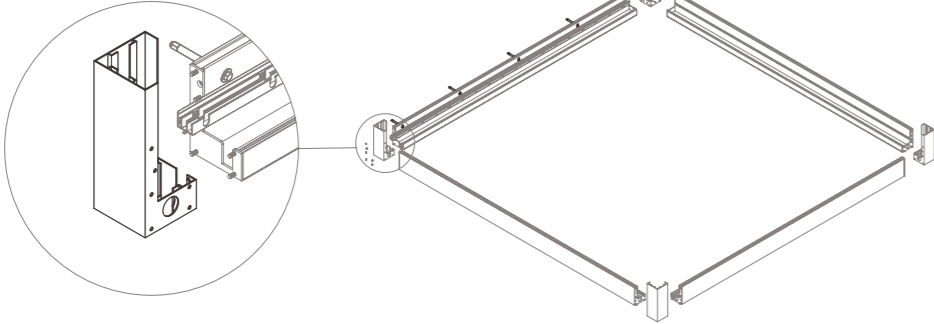
## Louvre Stormguard Seal

Sealing solution stops water dripping over louvre gutter channel by providing a soft cushioning barrier between point of louvre junction.

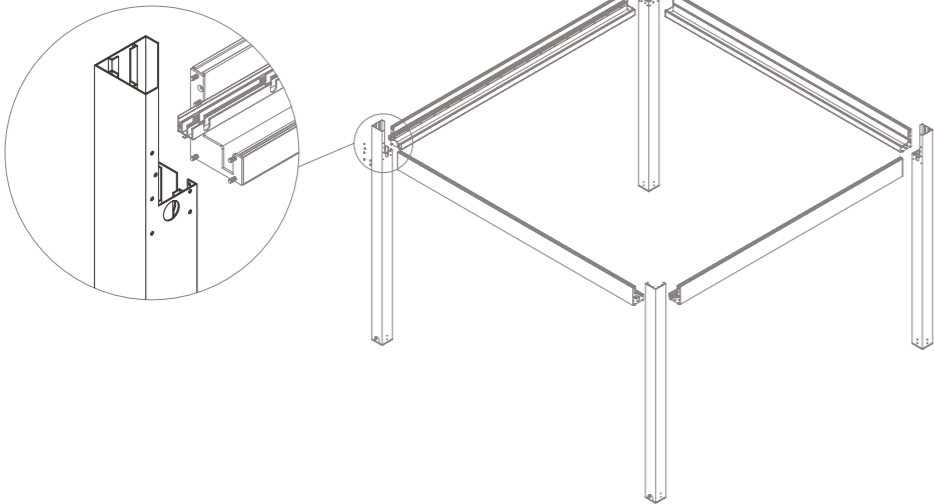


The CNC machine cut corner profiles provide easy gutter and column integration.

Wall Mounting

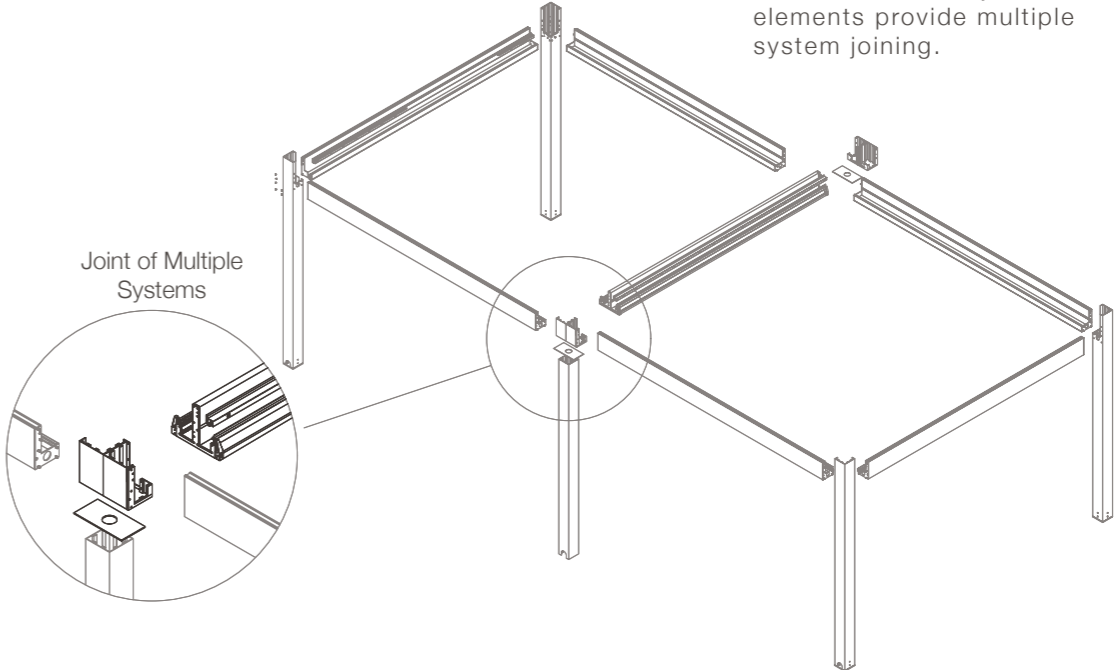


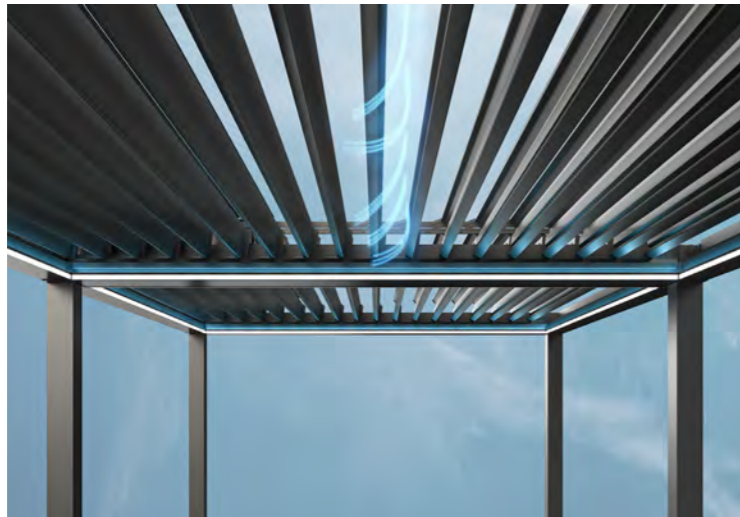
Self Standing



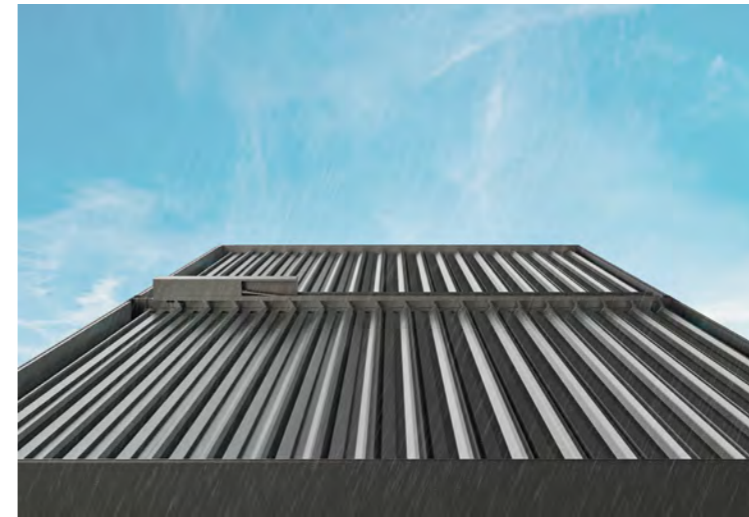
Double rafter and joint elements provide multiple system joining.

Joint of Multiple Systems

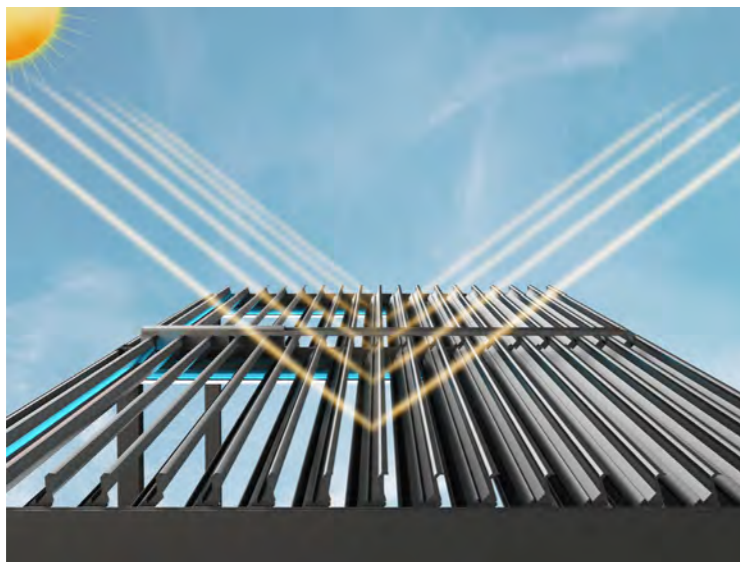




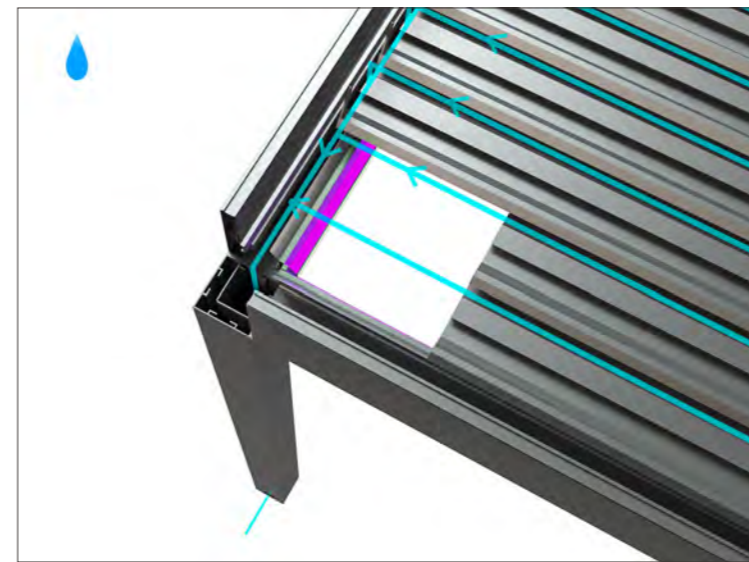
Slightly opening of louvres creates natural air flow for application areas.



Ensuring waterproof coverage when louvres are in fully closed position.



Protecting from sun exposure while ensuring air ventilation under the system .



Each channel on louvres drain the water through four sided gutters connected with columns.



LV20

Functional seal entegrated on louvre channels provides maximum protection from water dripping.



Closures



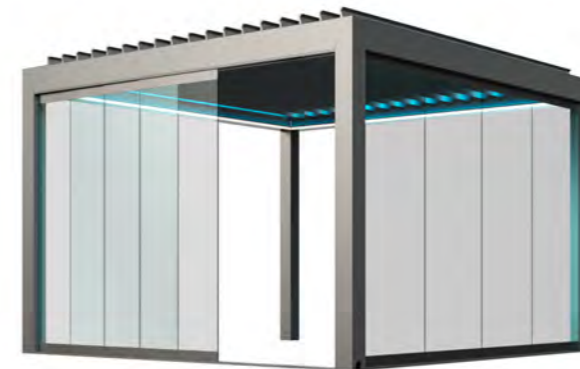
**Sapphire/Cycle Guillotine Glass System**  
System can be adapted to Axis Max system and offers a maximum clear span that provides unobstructed view & minimalistic style. The system is operated by just the touch of button.



**Framee Sliding Glass System**  
Minimal line of Framee system is perfectly matching with modern architectural Axis Max system by insulated fine-framed sliding glass panels. System offers a comfortable sliding with easy individual movement.



**Swind-Motorised Windbreaker System**  
Swind can be combined with also Axis Max system and offers adequate wind breaking with the option of total transparency by incorporating the function of balustrade. Thanks to led stripe dimmer lighting integrated side frame the fixed panel assigns distinctive appeal. The system is modular and completely flexible as there are no limits in the horizontal direction that can be used to surround spaces of all types and sizes.



**Slidia Sliding Glass System**  
The combination of the sliding glass system with Axis Max ensures efficacious protection from wind and rain. The aluminium frames which cover each glass panel provide maximum safety standards and practicality with elegance details.



**Violet Glass Balustrade System**  
The adaptability of Violet fixed balustrade glass with Axis Max creates a stunning visual transparency without lacking of obstruction to lines of sight. The stylish lighting solution that is integrated underneath the glass highlights attractive aspect of the design by amplifying overall aesthetic of outdoors. Thanks to flexible and multiple modular implementations, system can be used to cover comprehensive areas without limitation in the horizontal direction.



**Vertex Zip Screen System**  
The minimalist, slimlane, contemporary design of the zip system provides comfortable shade and protects against the UV rays. The system includes motorised aluminium structure, entirely powder-coated with stainless steel bolts and screws.



**Wallfix Fixed Side Enclosure**  
The unique designed privacy of Wallfix side enclosure can be combined with Axis Max system to optimise outdoor living areas visually.

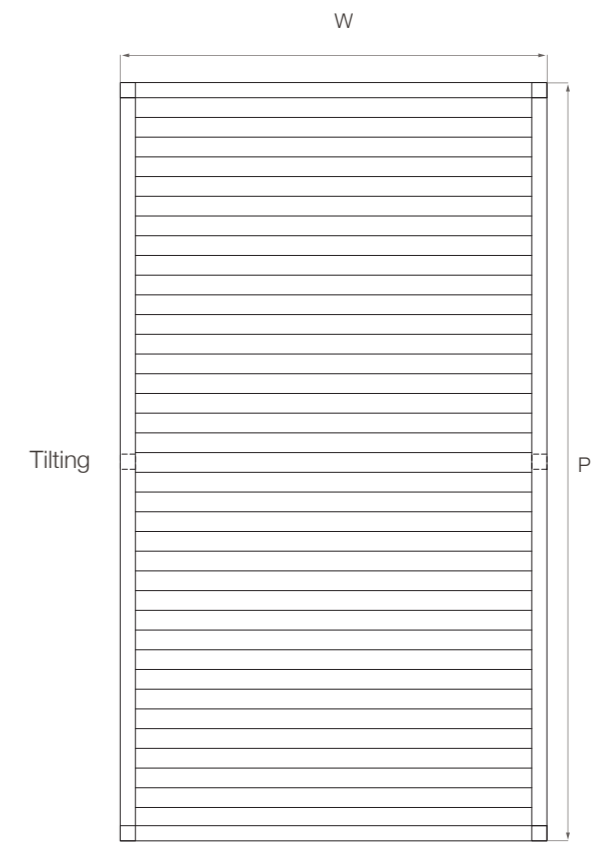
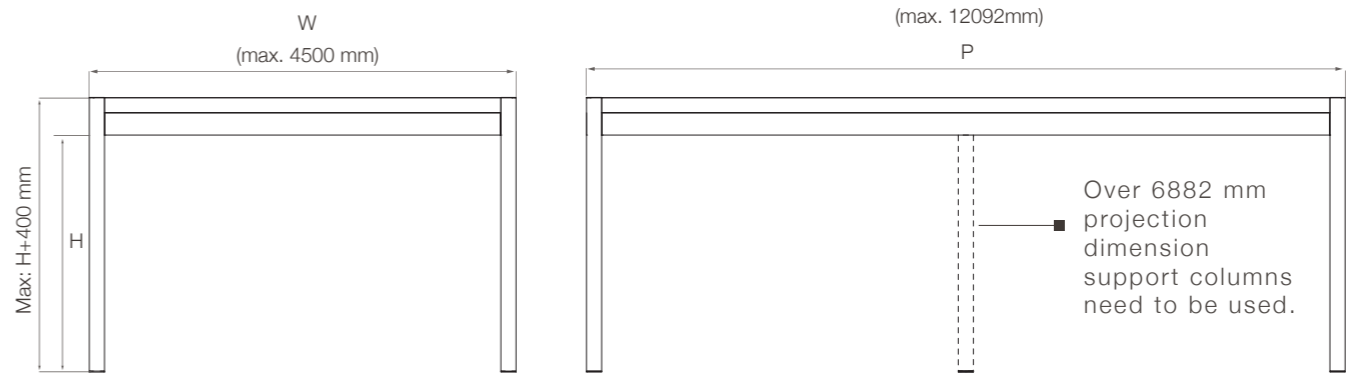


# Dimension Ranges

Single Module  
 W: 1000 mm < 4500 mm  
 P: 1484 mm < 12092 mm

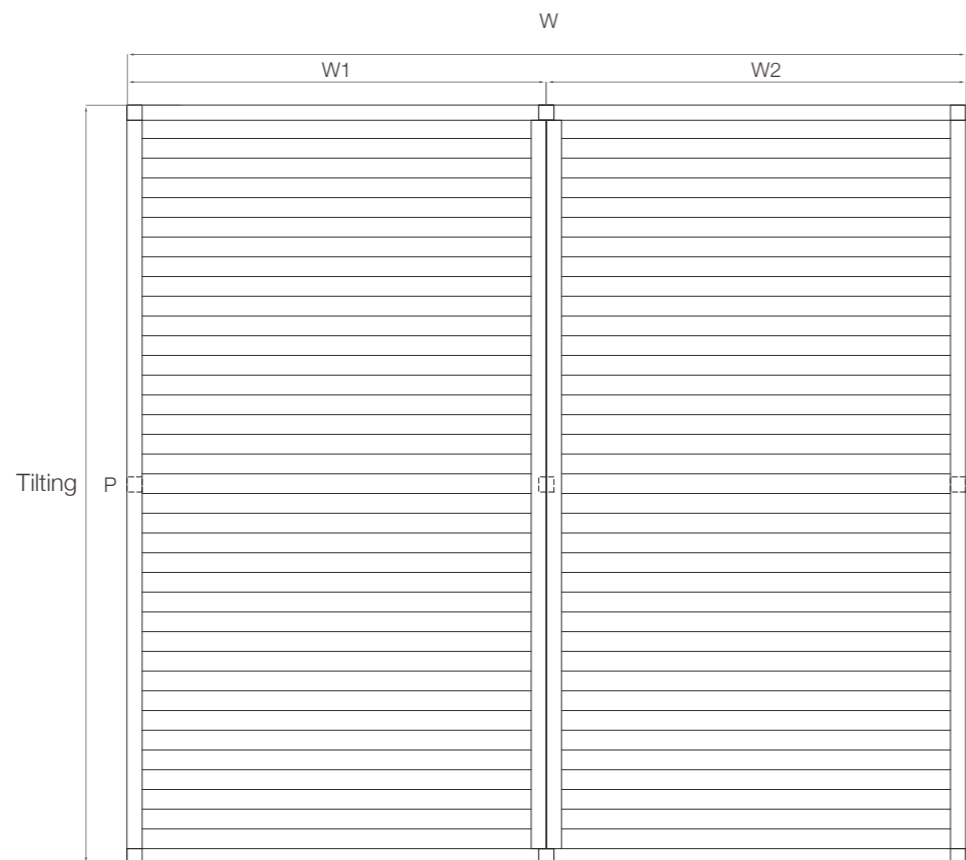
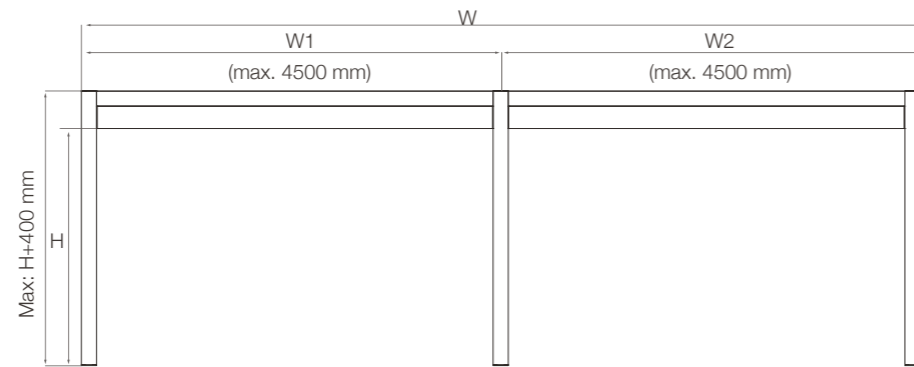
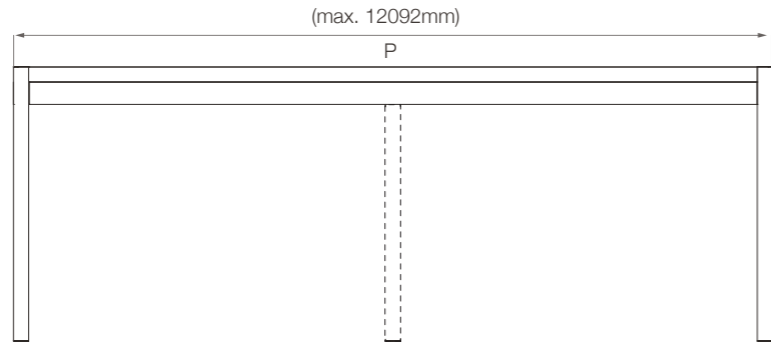
Width dimension: Any customised values between 1800mm and 13500mm  
 Projection dimension: Adjustable according to louvre quantity

		WIDTH			
		1800	4500	9000	13500
6	1484				
7	1692				
8	1900				
9	2108				
10	2316				
11	2524				
12	2732				
13	2940				
14	3148				
15	3356				
16	3564				
17	3772				
18	3980				
19	4188				
20	4396				
21	4604				
22	4812				
23	5020				
24	5228				
25	5436				
26	5644				
27	5852				
28	6060				
29	6268				
30	6476				
31	6684				
32	6892				
33	7100				
34	7308				
35	7516				
36	7724				
37	7932				
38	8140				
39	8348				
40	8556				
41	8764				
42	8972				
43	9180				
44	9388				
45	9596				
46	9804				
47	10012				
48	10220				
49	10428				
50	10636				
51	10844				
52	11052				
53	11260				
54	11468				
55	11676				
56	11884				
57	12092				

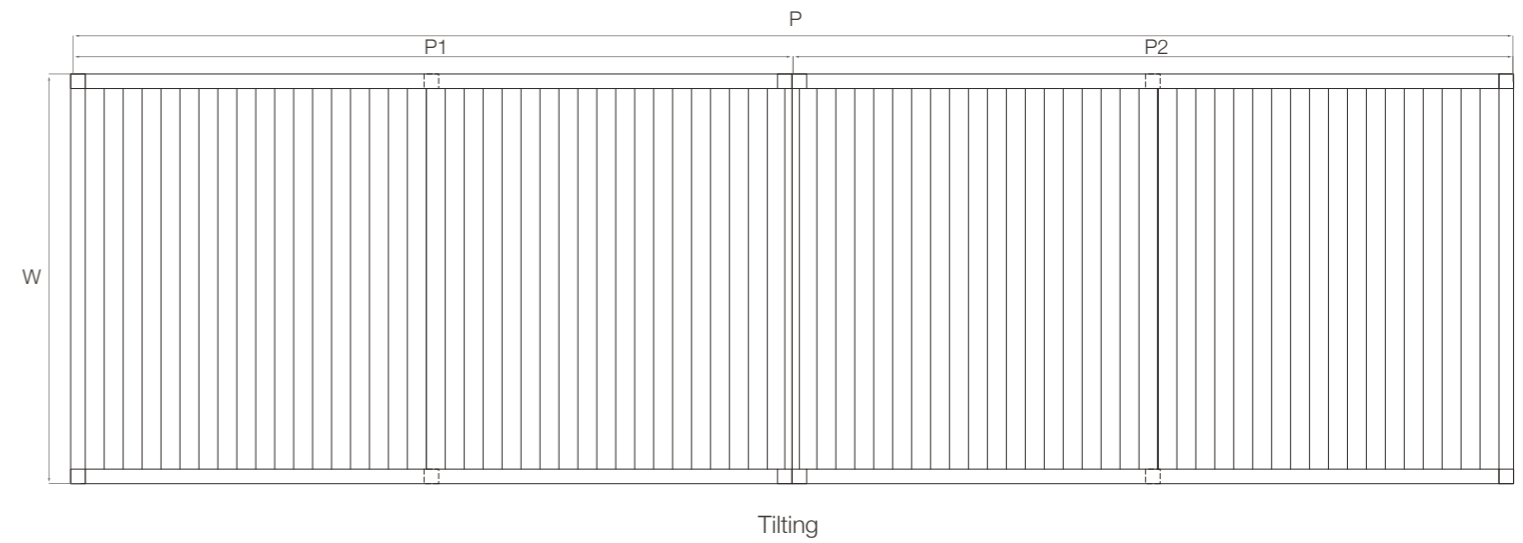
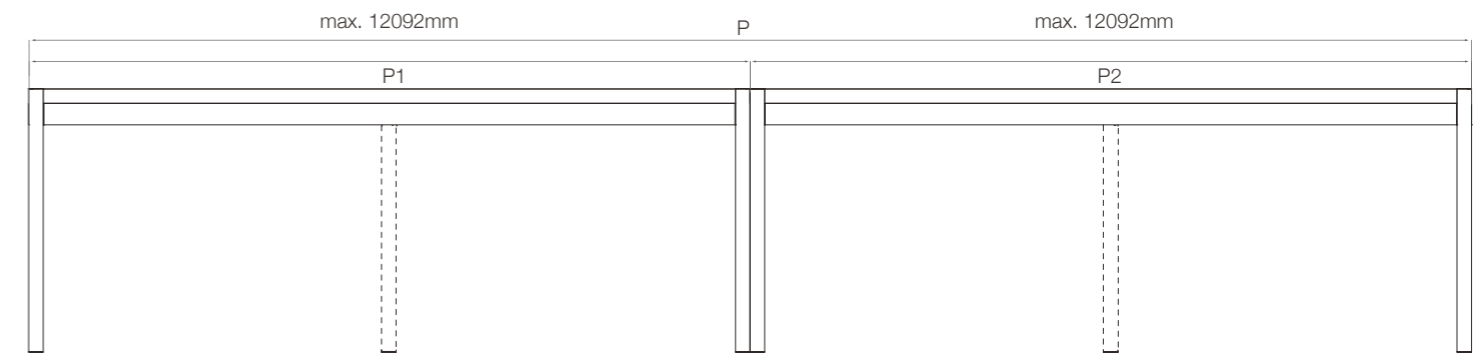
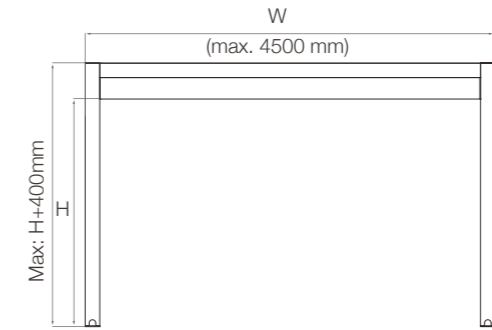




Multiple Modules Type 1  
W: 2000 mm < 9000 mm  
P: 1484 mm < 12092 mm



Multiple Modules Type 2  
W: 1000 mm < 4500 mm  
P: 2968 mm < 24184 mm



Company Name:  
Order Reference:

Order Date:

INSTALLATION TYPES

- Self Standing
- Wall Mounting
  - Louvres Parallel to Wall
  - Louvres Vertical to Wall

QUANTITY: ..... pc

- If modules are multiple and each module is in different width or projection. Please provide details for max.:
  - One module 4500x12092 mm
  - Two modules 9000x12092 mm
  - Three modules 13500x12092 mm

DIMENSIONS

W - Total Width..... mm  
 P - Projection ..... mm  
 H - Post Height..... mm  
 Total Number of Posts Required ..... pc

- Type 1                       Type 2
- W1 ..... mm                      P1 ..... mm
- W2 ..... mm                      P2 ..... mm
- W3 ..... mm                      P3 ..... mm
- ....                                      ....

POWDER-COAT COLORS

Structure

- | RAL colors                    | Exclusive colors               | Texture colors                  |                                    |
|-------------------------------|--------------------------------|---------------------------------|------------------------------------|
| <input type="checkbox"/> 9016 | <input type="checkbox"/> OGN35 | <input type="checkbox"/> ST9010 | <input type="checkbox"/> Other ... |
| <input type="checkbox"/> 1013 | <input type="checkbox"/> OS561 | <input type="checkbox"/> ST9001 |                                    |
| <input type="checkbox"/> 9006 | <input type="checkbox"/> OY395 | <input type="checkbox"/> ST1013 |                                    |
| <input type="checkbox"/> 7006 | <input type="checkbox"/> OGN39 | <input type="checkbox"/> ST7039 |                                    |
| <input type="checkbox"/> 7016 | <input type="checkbox"/> ON617 | <input type="checkbox"/> ST7016 |                                    |
| <input type="checkbox"/> 9005 | <input type="checkbox"/> ON611 | <input type="checkbox"/> ST8019 |                                    |

Louvres

- | RAL colors                    | Exclusive colors               | Texture colors                  |                                    |
|-------------------------------|--------------------------------|---------------------------------|------------------------------------|
| <input type="checkbox"/> 9016 | <input type="checkbox"/> OGN35 | <input type="checkbox"/> ST9010 | <input type="checkbox"/> Other ... |
| <input type="checkbox"/> 1013 | <input type="checkbox"/> OS561 | <input type="checkbox"/> ST9001 |                                    |
| <input type="checkbox"/> 9006 | <input type="checkbox"/> OY395 | <input type="checkbox"/> ST1013 |                                    |
| <input type="checkbox"/> 7006 | <input type="checkbox"/> OGN39 | <input type="checkbox"/> ST7039 |                                    |
| <input type="checkbox"/> 7016 | <input type="checkbox"/> ON617 | <input type="checkbox"/> ST7016 |                                    |
| <input type="checkbox"/> 9005 | <input type="checkbox"/> ON611 | <input type="checkbox"/> ST8019 |                                    |

LED LIGHTS

- Led Stripe Dimmer Lighting
  - Cool White
  - Day Light
- RGB Led - Hidden Stripe Lighting

SENSORS

- Rain Sensor
- Wind Sensor

OPTIONALS

- Supporting Post
- Insulation Foam
- Edge Cover Profile

COLUMN BASE OPTIONS

- Hidden (Standard)
- Flange
- Flange With Cover Cap

FLANGE POSITIONS

- Type A
- Type B
- Type C

DRAINAGE TYPES

- Type I
- Type II
- Type III
- Type IV

PACKAGING

- Standard
- Wooden Crate  
Extra cost

ADDITIONAL NOTES & DRAWINGS ATTACHED



## Technical Details



Max. width	4500 mm (One Module) 9000 mm (Two Modules) 13500 mm (Three Modules)
Max. projection	12092 mm
Rafter profile dimension	160x240 mm
Post dimension	160x160 mm
Edge cover profile dimension	154 mm
Louvre dimension	200 mm
Louvre quantity with max. size	57 pcs
Louvre can be tilted up to	85°
Automation	included
Control unit	included
Led Stripe Dimmer lighting	optional
RGB Led - Hidden Stripe lighting	optional
Insulation foam	optional
Edge cover profile	optional
Drainage pipe	optional
Flange	optional
Rain Sensor	optional
Wind Sensor	optional

## Technical Specifications Axis Max

New Generation Outdoor Covering Solutions  
Bioclimatic Systems With Tilting Function

### Description

Axis Max is a new generation of high-tech bioclimatic covering solution that is composed of a high grade structural aluminium frame and tilting aerofoil louvres.

### Dimensions

One module	Two modules	Three modules
Width 1000 mm < 4500 mm	Width 4501 mm < 9000 mm	Width 9001 mm < 13500 mm
Projection 1484 mm < 12092	Projection 1484 mm < 12092 mm	Projection 1484 mm < 12092 mm
Height 3000 mm		

- Blocked assembly for customized modules with a wide range of flexible combinations.

### Technical Characteristics

- Extruded aluminium frame, blades & gutters - clean edges.
- Electrostatic powder-coated frame.
- High-quality aluminum extrusion profiles (Aluminium Alloy 6063-T6).
- Concealed screws to offer clean finish.
- High grade stainless steel connection components.
- Large span with 13500mm dimension (4500x3 modules).
- Projection availability up to 12092mm dimension.
- Double-walled or single-walled aerofoil louvres with superior strength and durability.
- Invisible 15 mm slope on louvres for maximum water flow efficiency.
- Adjustable louvres for any position within the 85° range.
- Remote control for operation of mechanism and lighting.
- Dimmer option to adjust lux intensity.
- Antibacterial polyurethane foam insulation which can be integrated into the louvre to provide sound and heat insulation.
- Fully waterproof coverage when louvres are in fully closed position.



- Functional seal integration on louvre channel to prevent water leaking and provide extra insulation.
- Seal integration along structure for water insulation and temperature resistance.
- The water is flowed down to the main gutters by special drainage channels along the louvres and drained through columns.
- Optional edge cover profile which complete smooth design.
- Hidden IP68 protection class, 12/24VDC power supplied linear actuator motor with stainless steel piston rod that enables the louvre to rotate.
- Applicability of guillotine, sliding / sliding frame / folding glass and zip systems.
- Production in compliance with CE, ISO 9001, ISO 1400 and NVA standarts.
- In addition to standart RAL colors, Exclusive and Texture range aluminium colors can be offered as extended selection.
- Functional louvre lay out in parallel or vertical position to wall.

II | Profile Section Dimensions

- Rafter / Gutter** : 160 mm x 240 mm x 3 mm
- Column** : 160 mm x 160 mm x 3 mm
- Louvre** : 261 mm x 60 mm x 2 mm

III | Installation Methods

- Individual modules can be customised according to specified finish up to 4500mm width and 12092 mm projection with flexible installation methods such as integration into existing frameworks, wall mounting and free standing for larger outdoor areas.
- System can be assembled as single or multiple modules.

V | Columns

- Dimensions: 160 x 160 mm x 3 mm.
- Simple column assembly.
- The column cavity conceals the wiring cables of heater, speaker or automation to provide pure appearance.
- 3 different column base options: Hidden, Flange, Flange With Cover Cap.

V | Weather Resistance

**Wind Resistance**

- Wind rating up to Beaufort number 10 (up to 102km/h).

**Water Drainage**

- The four sided gutter for completely ensured waterproofness.
- Water drainage with an intensity of 155 L/h/sqm that last up to 2 minutes maximum.
- Customised drain points flexibility.

VI | Tests

Our systems are subjected to variety of tests in order to check their resistance under every type of circumstances.

Tests done following the requirements of International Standards involving parameters such as wind resistance and rainfall or snowfall demonstrate the excellent performance of our pergolas against the most adverse conditions.



Standard UNE-EN 13659:2004+A class 6 (approx. 102 km/h) tested up to 102 km/h without breaking within test bench parameters.



≤650 kg/m<sup>2</sup> (including its own weight) Standard EN-1999 EUROCODE 9 aluminium structures project.

\*Values will be decreased based width and projection dimensions.



Standard UNE-EN 12056-3, (0,04 l/s max.) constant heavy rain aprox. 155 l.m<sup>2</sup>/h (structures + slats).

**VII | Additional Equipments**

- Heater, speaker, air conditioner or other automations can be integrated.
- Wind and rain sensors can be adapted.

**VIII | Lighting**

Integrated RGB-Led Hidden Stripe and Led Stripe Dimmer Lighting on sides within the structure.

**- Led Stripe Dimmer Lighting**

Cool White, 60 LEDs/m | +5100-6500K | 1130 lumens/m

Day Light, 120 LEDs/m | +2800-3500K | 1094 lumens/m

**- RGB Led-Hidden Stripe Lighting**

60 LEDs/m

**IX | Sensors**

Wind and rain sensors can be adapted for an optimum level of comfort. These smart sensors are designed to respond fully automatic based on weather conditions in a specific situation. It functions as a protection against unexpectable weather conditions.

Sensors will activate an automated system that close/retract the roof and protect the furniture & underneath of covered area even if you are not able to control the system.

**Wind sensor**

Wind sensor monitors the gust of wind then retract your outdoor product to protect it against unexpected strong winds and offers constant protection.

The wind speed value required to do this is set directly at the sensor. If the wind picks up significantly wind sensor will close the roof depending on a pre-set wind speed. Thanks to ease of installation and minimal cabling it can be setup simply.

**Rain sensor**

Rain sensor will automatically detect the rain and close your roof to prevent raindrops falling through open roof systems even if you are not able to control the system.

If rain is detected the pergola will be closed and the remote control will be needed to open it back.

**X | Closures**

Systems can be completely enclosed with Sapphire automatic vertical glass system, Swind windbreaker system, Violet, Framee, Slidia or motorised Vertex zip for further protection from the elements.

**Sapphire**

Sapphire is an automatic vertical guillotine glass system enriched with patented worm shaft technology.

- Systems can incorporate framed tempered 8 mm and 10 mm single or 4mm+12mm+4mm / 5mm+10mm+5mm double insulated glazing.
- Optional 2 or 3 panels configurations are available up to 4 meters width and 3 meters height or 3 meters width and 3,5 meters height.
- Electrostatic powder-coated frame.
- Operation is motorised.
- Upwards or downwards parking position options.
- Fixed panels can be used as balustrades.
- The position of movable panels can be adjusted according to desired height.
- Thanks to strengthened counterweight movement mechanism motor provides balanced&silent up/down operation.
- Fully hidden motor drive.
- Switch, remote or smart home control availability.
- Fine frames with thermal and sound insulated rubber seals.
- Wide open view with up to 4 meters width vertical glass panels.

**Cycle**

Cycle is an automatic vertical guillotine glass system with strengthened chain mechanism.

- Systems can incorporate framed tempered 5mm+11mm+5mm double insulated glazing.
- Optional 2 or 3 panels configurations are available up to 4 meters width and 3 meters height or 3 meters width and 3,5 meters height.
- Electrostatic powder-coated frame.
- Motorised operation with switch, remote or smart home control availability.
- Upwards or downwards parking position options.
- Balustrade usage ability with the handrail design that covers the glass panels.
- The position of movable panels can be adjusted according to desired height.
- Thanks to strengthened counterweight movement mechanism motor provides balanced&silent up/down operation.
- Fully hidden motor drive.
- Protected usage with safety sensor.
- Fine frames with thermal and sound insulated rubber seals.
- Easy assembly & disassembly with compact guide profile consisting of four parts.
- Wide open view with up to 4 meters width vertical glass panels.

**Swind**

Swind is an automatic vertical up-down glass panel.

- Electrostatic powder-coated frame.
- Extruded aluminium fix panel frame.
- Concealed screws to offer clean finish.
- Horizontal counterweight for smooth motion.
- High strength belt mechanism for balanced movement.
- 10mm fixed and 8mm up-down automatic moveable tempered glass panels.
- Frameless moveable glass panel for unobstructed view.
- Led stripe dimmer lighting integrated side frame / invisible electrical cables.
- Remote control for operation of mechanism and lighting.
- Fast opening-closing cycle.
- Fully hidden compact direct drive motor system.
- Ease of installation with single or multiple modules.
- Portability with optional wheel integration.
- Availability of usage as balustrade in closed position.
- Transparent panels in standards besides Smoked, Green, Blue and Bronze color options.

**Violet**

Violet glass balustrade system.

- Concealed screws to offer clean finish.
- Glass fixed pane is 8+1.52 pvb+8mm
- Led stripe dimmer lighting integrated underneath the glass / invisible electrical cables.
- Remote control for operation of lighting.
- Ease of installation with single or multiple modules.
- Availability of usage as Hand Rail (Optional).
- Compact & Easy Assembly.
- Transparent panels in standards besides Smoked, Green, Blue and Bronze color options.

**Framee**

Framee, sliding glass system with fine-framed double glazed panels.

- Double insulated glass (6+12+6mm).
- Transparent sliding glass panels in standard besides of Blue, Green, Smoked and Bronze glass color options.
- Electrostatic powder-coated frame.

- Handle with Click Lock on first panel and Handle with Hidden Lock on the last panel on internal side of sliding panels for security measures.
- Combination availability with Vertex Zip System for sun protection.
- Available with 2,3 or 4 rails up to maximum 8 panels combined with side or central openings.
- Natural, stainless steel and black anodyse color options.

**Slidia**

Slidia is a sliding glass system with individual parallel glass panels.

- Electrostatic powder-coated frame.
- Features slim aluminum glass profiles.
- Individual panels can be moved horizontally with single or double slide options.
- Bottom wheel carriages with double rollers ensure optimum and smooth running even with wide glass panels.
- Successive panels can be moved by the grap mechanism.
- Height adjustable wheel carriages up to 5mm.
- Sloped rail design for efficient drainage.
- Anodised bottom rail for easy and smooth movement.
- Rain and wind resistance by double sided transparent gaskets (standard), transparent gaskets with brush or aluminum slats with brush.
- Brush and rubber cord for high frame insulation.
- Anti-slip rubber ensures safety passage and also offers ease of rail surface cleaning.
- Transparent sliding glass panels in standard besides of Blue, Green, Smoked and Bronze glass color options.
- Internal or external locking of the sliding panels by optional key lock for security measures.
- Flush Circle and Push & Pull Bar handle types and Allen&Key lock.
- Combination availability with Vertex Zip System for sun protection.
- Available with 3 or 5 rails up to maximum 10 panels, combined with side or central openings.

**Vertex Zip System**

Vertex is a motorised external blind system.

- It provides comfortable shade and protects against the UV rays.
- The system includes motorised aluminium structure.
- Each screen has a pair of identical side channels.
- Entirely powder-coated with stainless steel components.
- Maximum protection against solar radiation and penetration of heat while preserving the optimal level of natural light in the interior and contact with environment.



- The production technology of fabrics ensures a high resistance to external influences such as wind or changes in temperature and humidity.

**Wallfix**

Wallfix is an aluminum louvered fixed wall system.

- Electrostatic powder-coated frame.
- High-quality aluminum extrusion profiles (Aluminium Alloy 6063-T6).
- Compact & Easy Assembly with click louvre connection.
- Clean finishes with hidden joining details.
- Extruded aluminium fine line fixing frame.
- Concealed screws to offer clean finish.
- Large span with 6000mm dimension.
- Sound and heat insulation with double layered louvre (panel) design.
- Maximum safety with block assembly.

**Doors**

**Glass door**

- Frameless hinged and frameless hydraulic glass doors are available.
- Single tempered glass (10mm).
- Available with single panel and double panels (each panel in maximum 1000mm).
- Flush Circle and Push & Pull Bar handle types and Allen&Key lock.
- Transparent panels in standards besides Smoked, Green, Blue and Bronze color options.
- Handle position height can be adjusted as desired (Standard height value is 110cm).
- Allen&Key lock for security.

**Framed glass door**

- Hinged and hydraulic framed glass doors are available.
- Electrostatic powder-coated frame.
- Available with double insulated single panel and double panels (each panel in maximum 1000mm).
- Double insulated glass (4+11+4mm).
- Transparent panels in standards besides Smoked, Green, Blue and Bronze color options.
- Handle position height can be adjusted as desired (Standard height value is 110cm).
- Internal or external locking of the sliding panels by optional key lock for security measures.

- Push & Pull Bar handle types.
- Pull Handle/ Lock.

**Photocell Door**

- Aluminum framed automatic glass door.
- Electronic lock.
- Possibility of manuel usage in emergency situations.
- Electrostatic powder-coated frame.
- Available in Laminated glass (4+4mm).
- Single panel and double panel options (each panel in maximum 1000mm).
- Fast opening-closing cycle and insulation materials for preserving heat balance between indoor and outdoor.
- Transparent panels in standards besides Smoked, Green, Blue and Bronze color options.
- One side button or double side button and double sided transition control types.

**XI | Structure Color Options / Finishes**

- The products are available with a wide range of colour options in standard or architectural textured coatings.
- In addition to standard RAL colors, Exclusive and Texture range aluminium colors can be offered.
- QualiMarine and Qualanod finishes are also available beside of Qualicoat finishes.

**XII | Warranty**

	Axis Max	Sapphire	Cycle	Swind	Violet	Framee	Slidia	Vertex	Wallfix
Structure& Coating	5 years	5 years	5 years	5 years	5 years	5 years	5 years	5 years	5 years
Mechanics	2 years	2 years	2 years	2 years	N/A	2 years	2 years	2 years	N/A
Motor&Control Units	2 years	2 years	2 years	2 years	2 years	N/A	N/A	2 years	N/A
Lighting& Control Units	2 years	N/A	N/A	2 years	2 years	N/A	N/A	N/A	N/A

\*End user and installation defects are not covered.

**ENQUIRIES AUSTRALIA WIDE**

Phone: 1300 856 499  
 Email: sales@sbdau.com.au

**HEAD OFFICE**

Structures By Design Australia  
 16/15 Earsdon St  
 Yarraville, VIC 3013  
 Phone: 1300 856 499



Operations



Lighting Options

Led Stripe Dimmer Lighting



RGB Led-Hidden Stripe Lighting



Optional

Insulation Foam



Edge Cover Profile

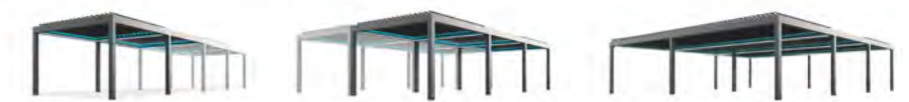


Installation Types

Self Standing Single Module



Self Standing Multiple Modules



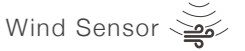
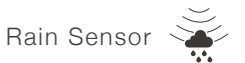
Wall Mounting Single Module



Wall Mounting Multiple Modules



Sensors



Closures

Sapphire & Cycle



Swind



Violet



Framee



Slidia



Vertex



Wallfix

