

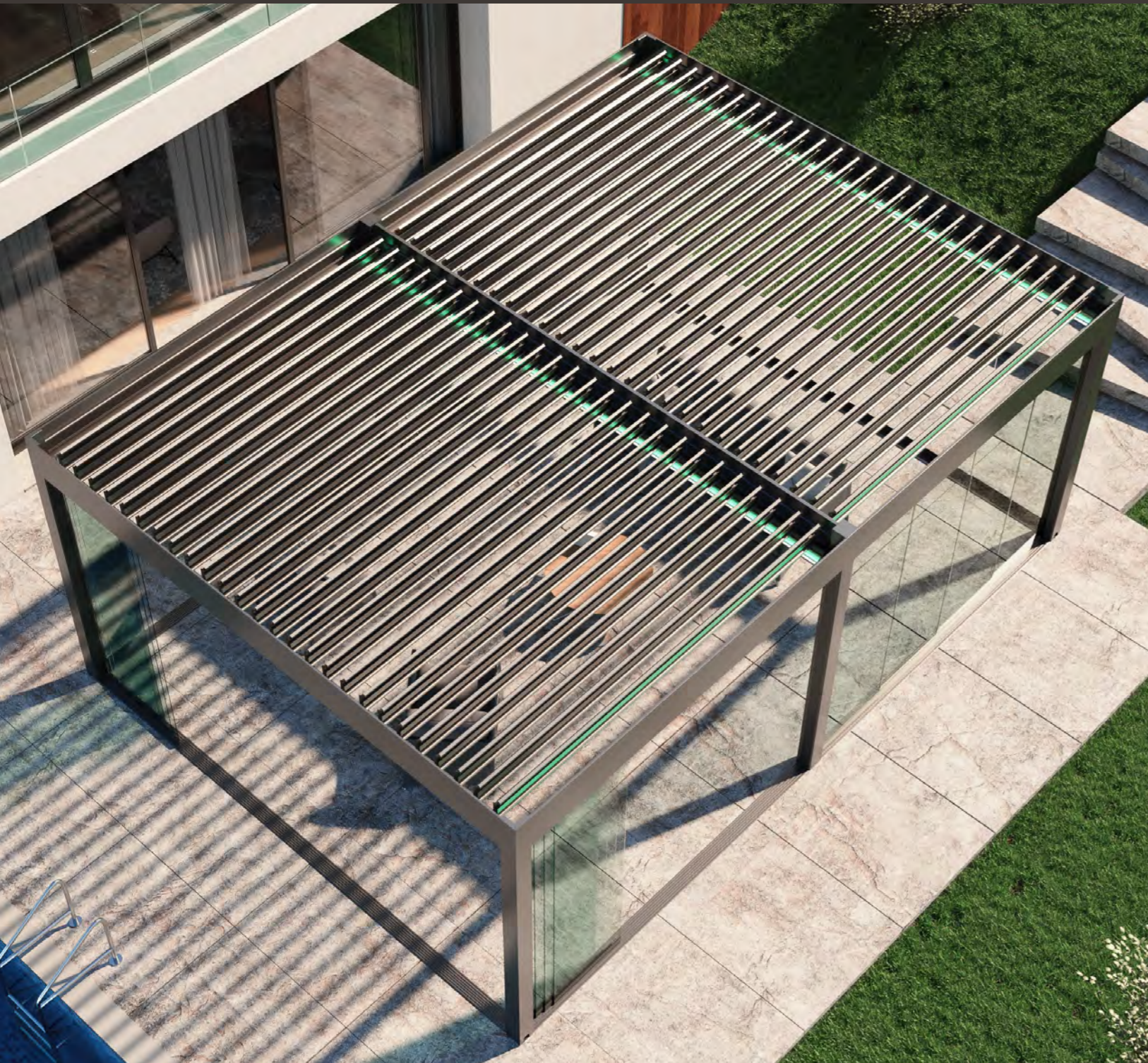
---

## AXIS

Customized architectural solutions...

Axis is a stylish modern bioclimatic outdoor covering system that meets demands of today's architecture. The distinctive form which has a balance between design and function is used to create customised outdoor architectural solutions for protection from the elements. The unique characteristic of system makes it a clear leader in its field and presents sophisticated technology combined with innovative concepts for modern style. System makes outdoor spaces more comfortable with high functional performance and creative custom-made solutions.

The aluminium louvres can be tilted up to 85° with a smooth and silent rotating movement via internal motor. The automation of system is fully hidden and operates with maximum performance & silent movement. It is possible to operate the louvres according to desired angle creating ventilation and shadow. The angle adjustable louvres provide natural air flow effect and exceptional quality of outdoor life in the open air with a high degree of flexibility for visual & thermal comfort while offering optimum conditions at any time of the day. Individual modules can be custom made in your specified finish up to 4.5m wide and 8m projection with flexible installation methods such as integration to existing structures, wall mounting and free standing for larger outdoor areas.





■ Led Stripe Dimmer Lighting

■ RGB Led-Hidden Stripe Lighting



**Led Stripe Dimmer Lighting** illuminates all around the system and creates a warm atmosphere. Dimmable Soft Led Stripe lighting on sides within the structure provides intensity of day light or cool white options.

**RGB Led-Hidden Stripe Lighting** provides ultimate luxury by creating distinctive atmosphere in outdoor living areas with infinite colour options.



# Operations

Fully Closed



Tilted & Fully Closed

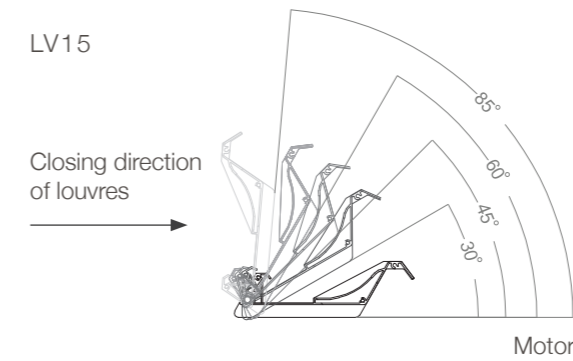


Tilted

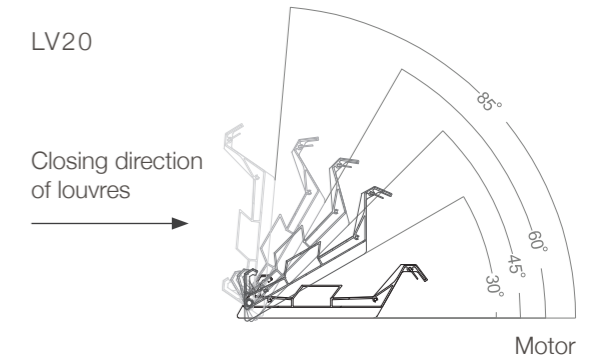


## Louvre Closing Direction

LV15



LV20



## Tilting Directions





Flexible installation methods are available with wall mounting and free standing installations and they can even be served as a roof assembled to existing frameworks.



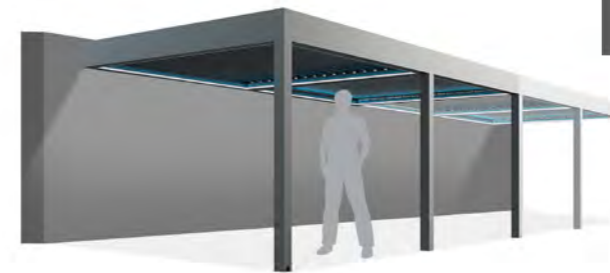
Self Standing  
Single Module



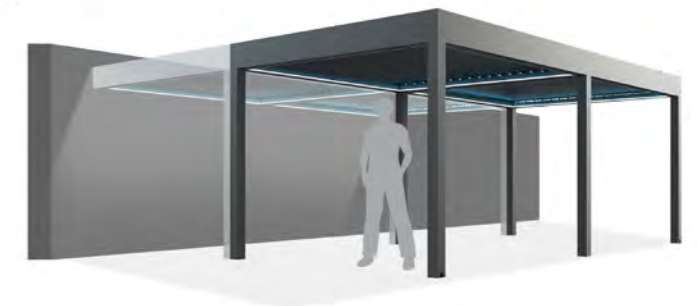
Wall Mounting  
Single Module



Self Standing  
Multiple Modules



Wall Mounting  
Multiple Modules





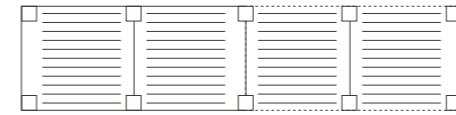
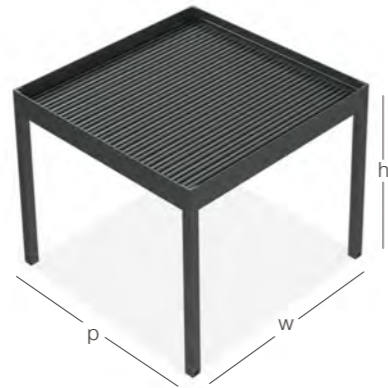
Blocked assembly for customized modules with a wide range of flexible combinations.



(w) Width  
1000 mm < 4500 mm

(p) Projection  
LV15 1174mm < 7810mm  
LV20 1474mm < 7922mm

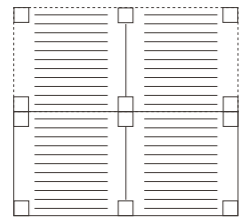
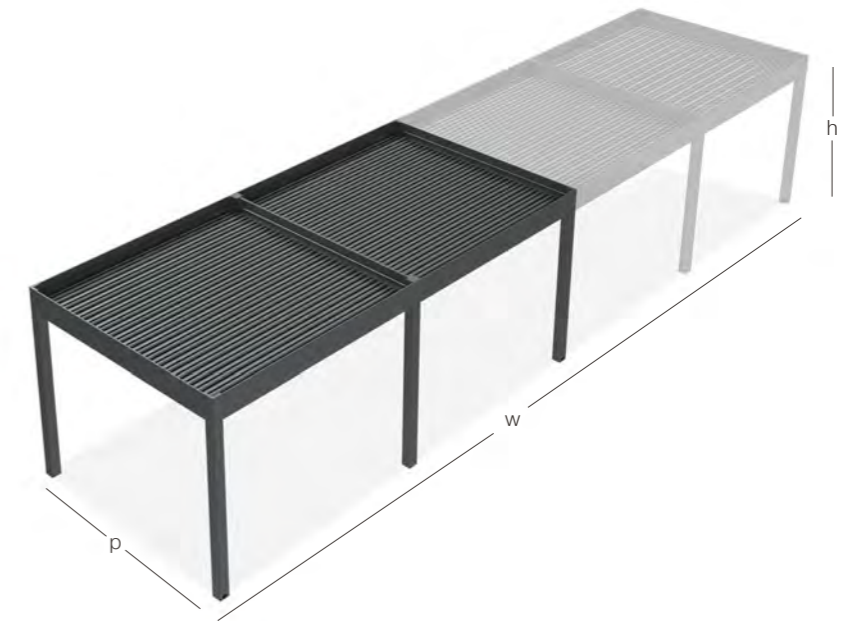
(h) Height  
3000 mm



(w) Width  
4000 mm < 18000 mm

(p) Projection  
LV15 1174mm < 7810mm  
LV20 1474mm < 7922mm

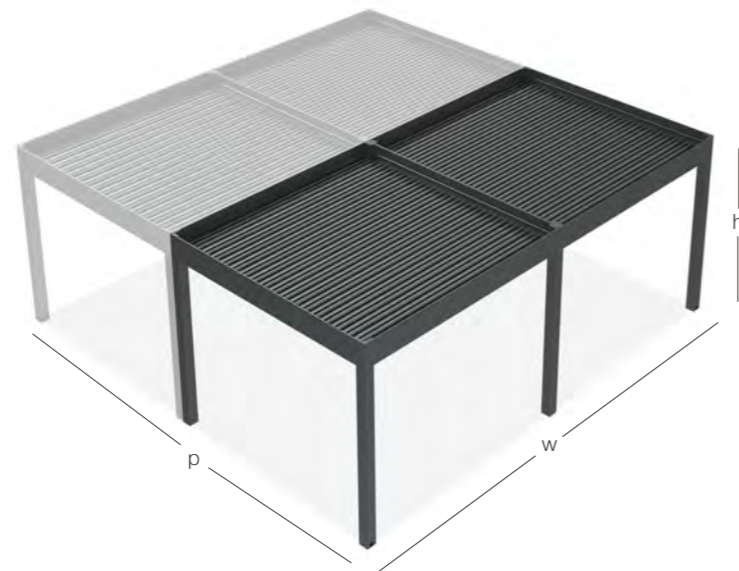
(h) Height  
3000 mm



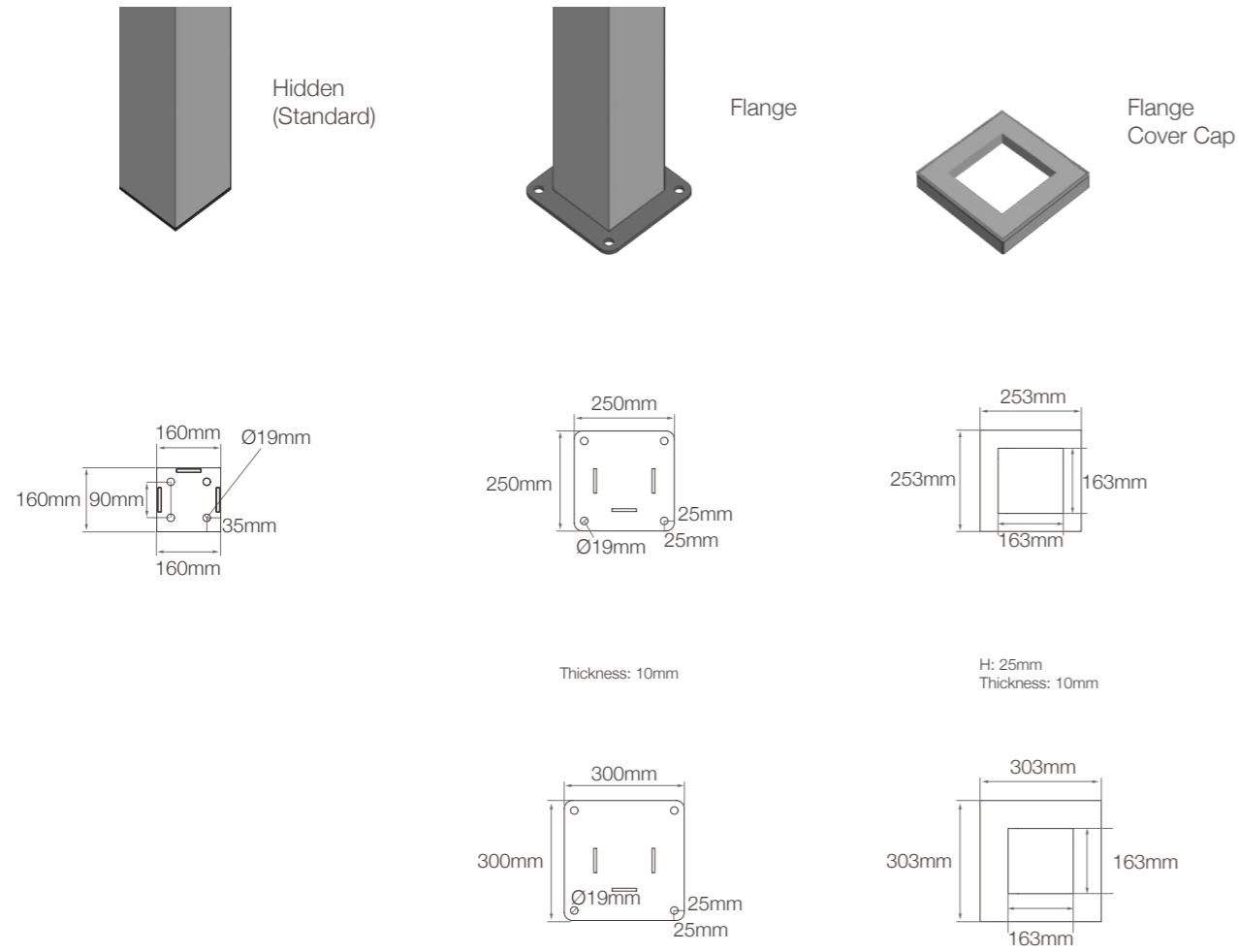
(w) Width  
2000 mm < 9000 mm

(p) Projection  
LV15 2348mm < 15620mm  
LV20 2948mm < 15844mm

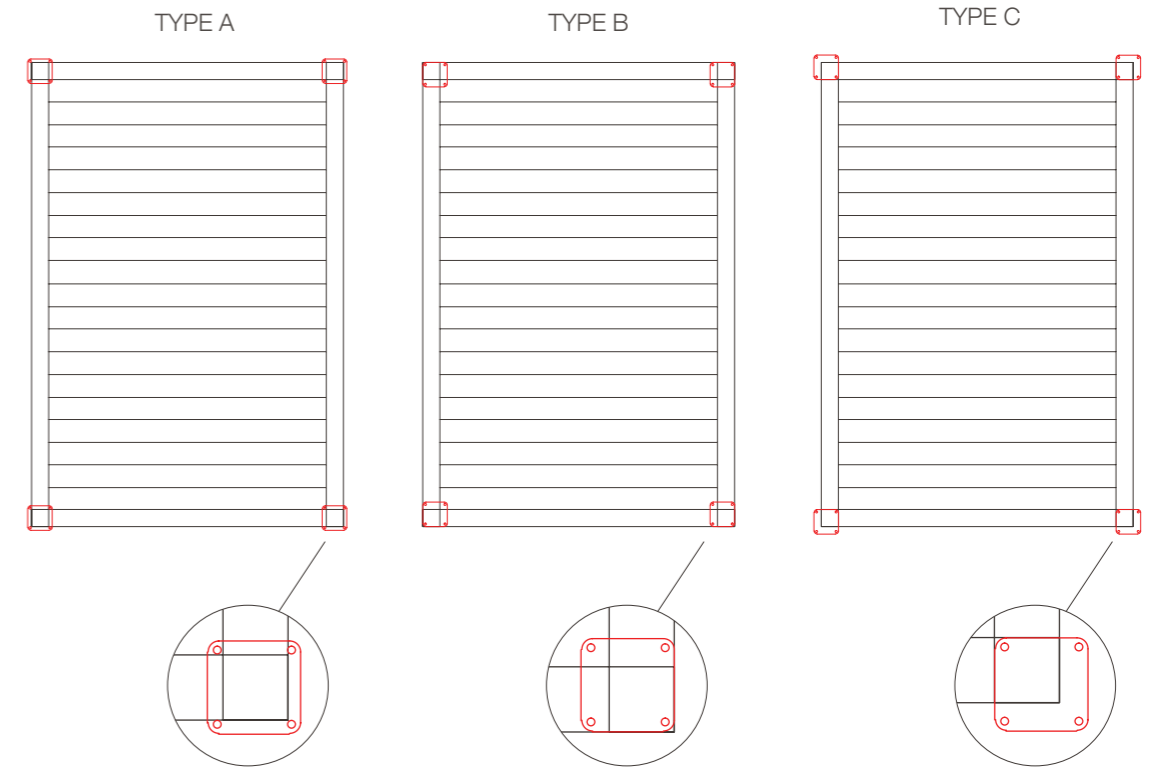
(h) Height  
3000 mm



### Column Base Options

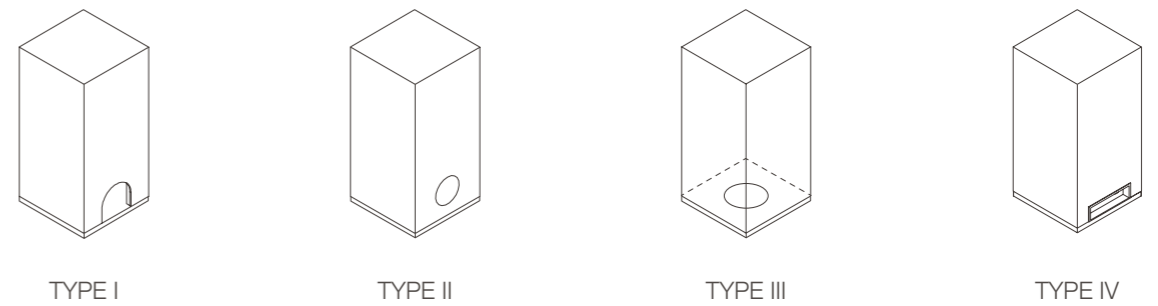


### Flange Positions



To be chosen only with flange option.

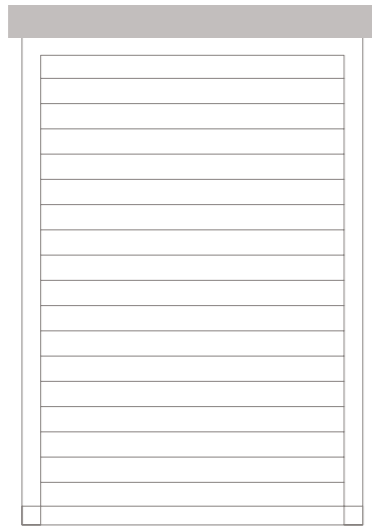
### Drainage Types



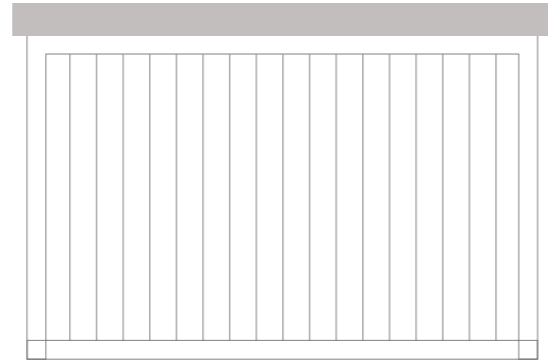


# Wall Installation Louvre Positions

Parallel To Wall

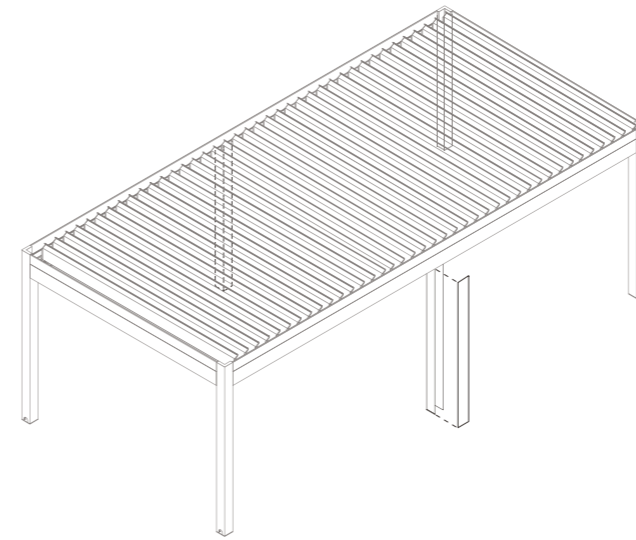


Vertical To Wall



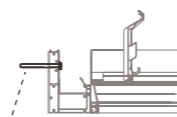
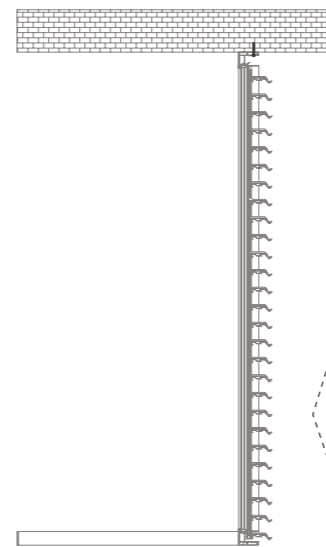
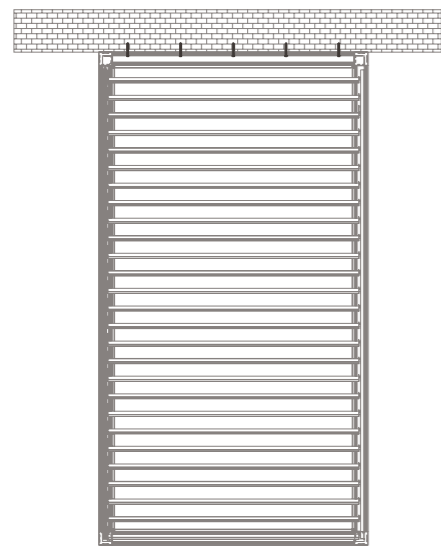
## Support Column

Over 6862 mm (LV15), 6882 mm (LV20) projection dimension support columns need to be used.

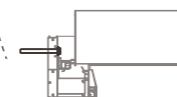
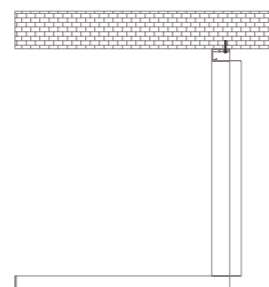
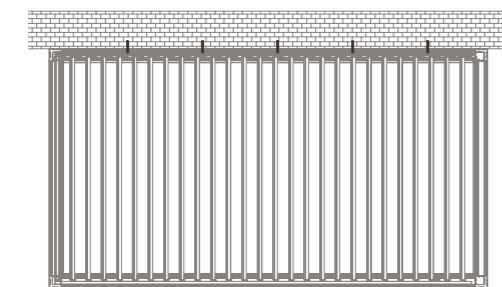


The CNC machine cut corner profiles provide easy gutter and column integration.

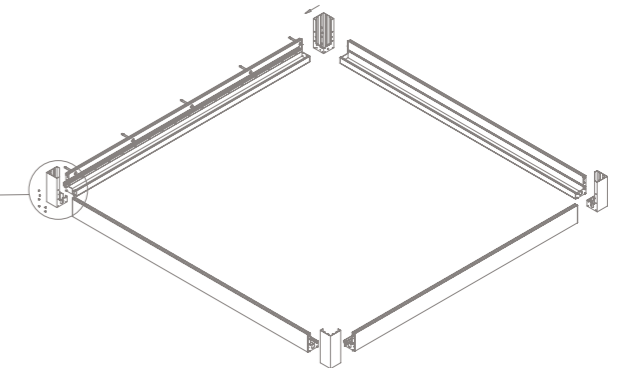
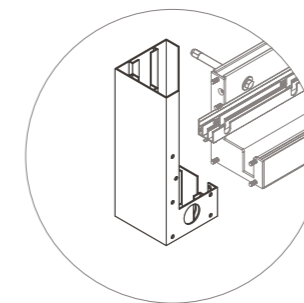
## Mounting



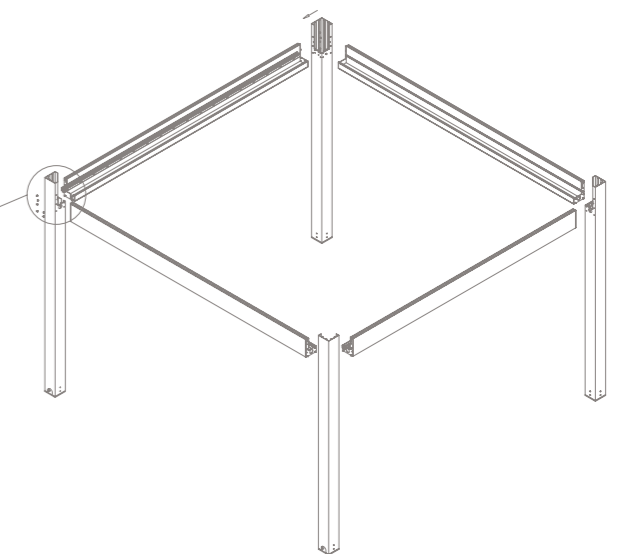
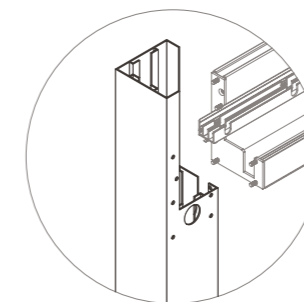
Easy wall mounting by screwing inox bolts through gutter profile. Any additional brackets are not required.



Wall Mounting



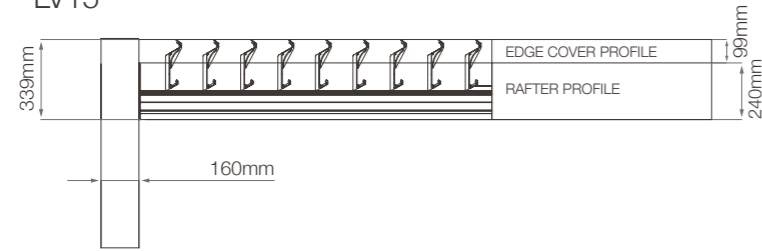
Self Standing



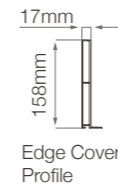
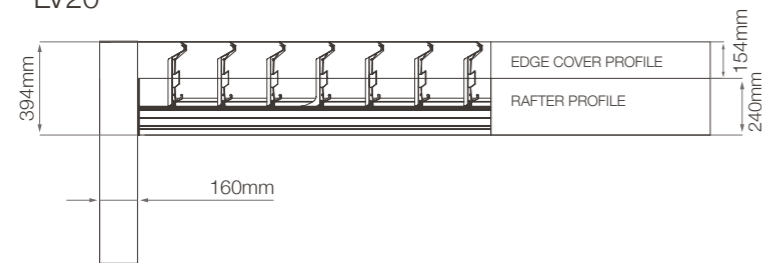


Side Elevation

LV15

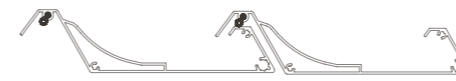


LV20

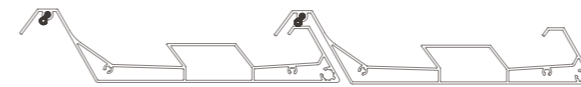


Louvre Stormguard Seal

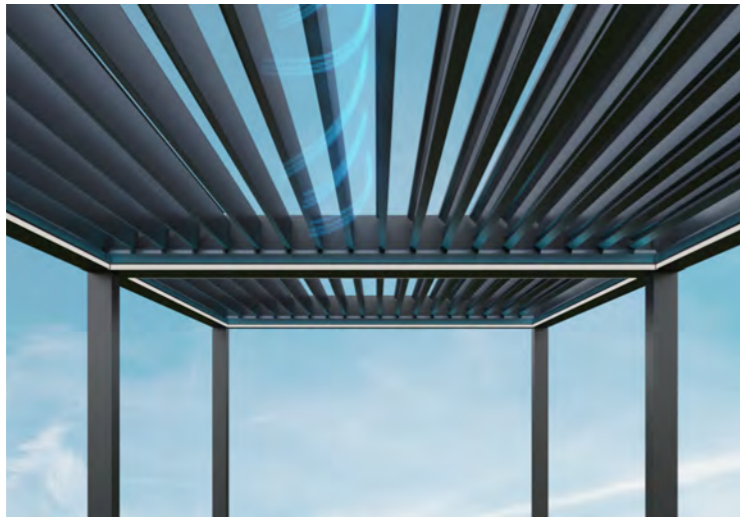
Sealing solution stops water dripping over louvre gutter channel by providing a soft cushioning barrier between point of louvre junction.



Louvre LV15



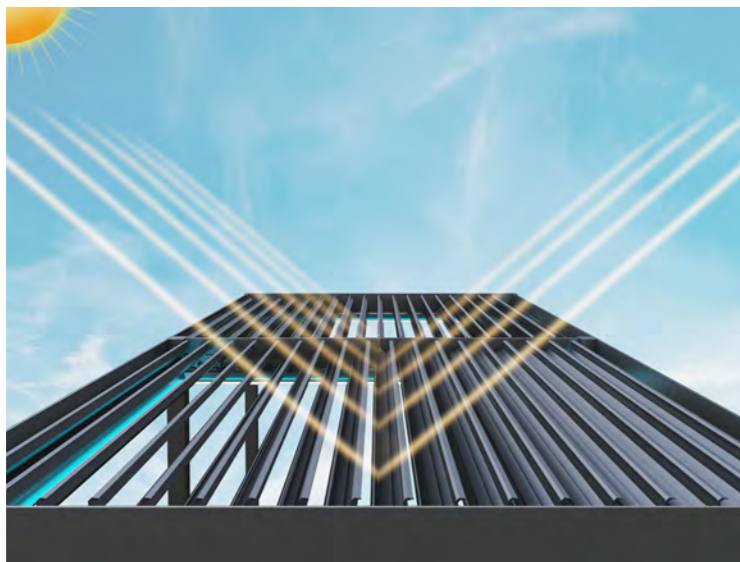
Louvre LV20



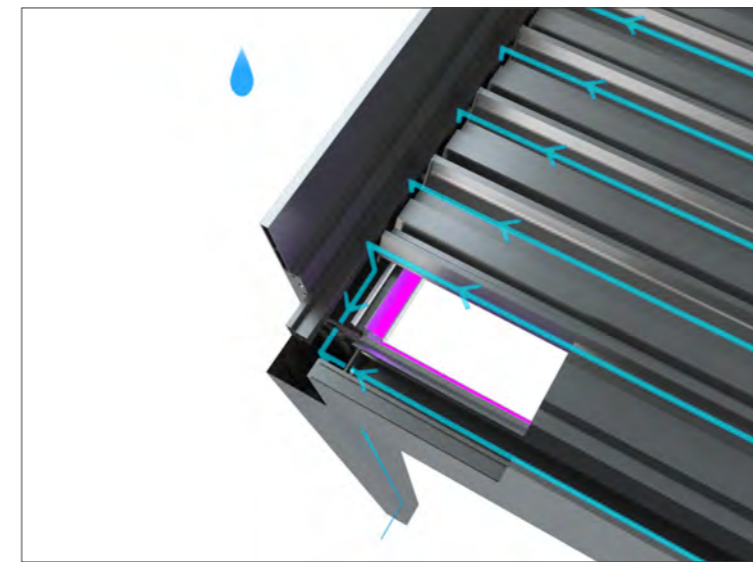
Slightly opening of louvres creates natural air flow for application areas.



Ensuring waterproof coverage when louvres are in fully closed position.



Protecting from sun exposure while ensuring air ventilation under the system .



Each channel on louvres drain the water through four sided gutters connected with columns.



LV15 LV20 Functional seal entegrated on louvre channels provides maximum protection from water dripping.



# Closures



**Sapphire/Cycle Guillotine Glass System**  
System can be adapted to Axis system and offers a maximum clear span that provides unobstructed view & minimalistic style. The system is operated by just the touch of button.



**Framee Sliding Glass System**  
Minimal line of Framee system is perfectly matching with modern architectural Axis system by insulated fine-framed sliding glass panels. System offers a comfortable sliding with easy individual movement.



**Swind-Motorised Windbreaker System**  
Swind can be combined with also Axis system and offers adequate wind breaking with the option of total transparency by incorporating the function of balustrade. Thanks to led stripe dimmer lighting integrated side frame the fixed panel assigns distinctive appeal. The system is modular and completely flexible as there are no limits in the horizontal direction that can be used to surround spaces of all types and sizes.



**Slidia Sliding Glass System**  
The combination of the sliding glass system with Axis ensures efficacious protection from wind and rain. The aluminium frames which cover each glass panel provide maximum safety standards and practicality with elegance details.



**Violet Glass Balustrade System**  
The adaptability of Violet fixed balustrade glass with Axis creates a stunning visual transparency without lacking of obstruction to lines of sight. The stylish lighting solution that is integrated underneath the glass highlights attractive aspect of the design by amplifying overall aesthetic of outdoors. Thanks to flexible and multiple modular implementations, system can be used to cover comprehensive areas without limitation in the horizontal direction.



**Vertex Zip Screen System**  
The minimalist, slimlane, contemporary design of the zip system provides comfortable shade and protects against the UV rays. The system includes motorised aluminium structure, entirely powder-coated with stainless steel bolts and screws.



**Wallfix Fixed Side Enclosure**  
The unique designed privacy of Wallfix side enclosure can be combined with Axis system to optimise outdoor living areas visually.



## Dimension Ranges LV15

Width dimension: Any customised values between 1800mm and 4500mm  
Projection dimension: Adjustable according to louvre quantity

		WIDTH	
		1800	4500
6	1174		
7	1332		
8	1490		
9	1648		
10	1806		
11	1964		
12	2122		
13	2280		
14	2438		
15	2596		
16	2754		
17	2912		
18	3070		
19	3228		
20	3386		
21	3544		
22	3702		
23	3860		
24	4018		
25	4176		
26	4334		
27	4492		
28	4650		
29	4808		
30	4966		
31	5124		
32	5282		
33	5440		
34	5598		
35	5756		
36	5914		
37	6072		
38	6230		
39	6388		
40	6546		
41	6704		
42	6862		
43	7020		
44	7178		
45	7336		
46	7494		
47	7652		
48	7810		

## Dimension Ranges LV20

Width dimension: Any customised values between 1800mm and 4500mm  
Projection dimension: Adjustable according to louvre quantity

		WIDTH	
		1800	4500
6	1474		
7	1682		
8	1890		
9	2098		
10	2306		
11	2514		
12	2722		
13	2930		
14	3138		
15	3346		
16	3554		
17	3762		
18	3970		
19	4178		
20	4386		
21	4594		
22	4802		
23	5010		
24	5218		
25	5426		
26	5634		
27	5842		
28	6050		
29	6258		
30	6466		
31	6674		
32	6882		
33	7090		
34	7298		
35	7506		
36	7714		
37	7922		

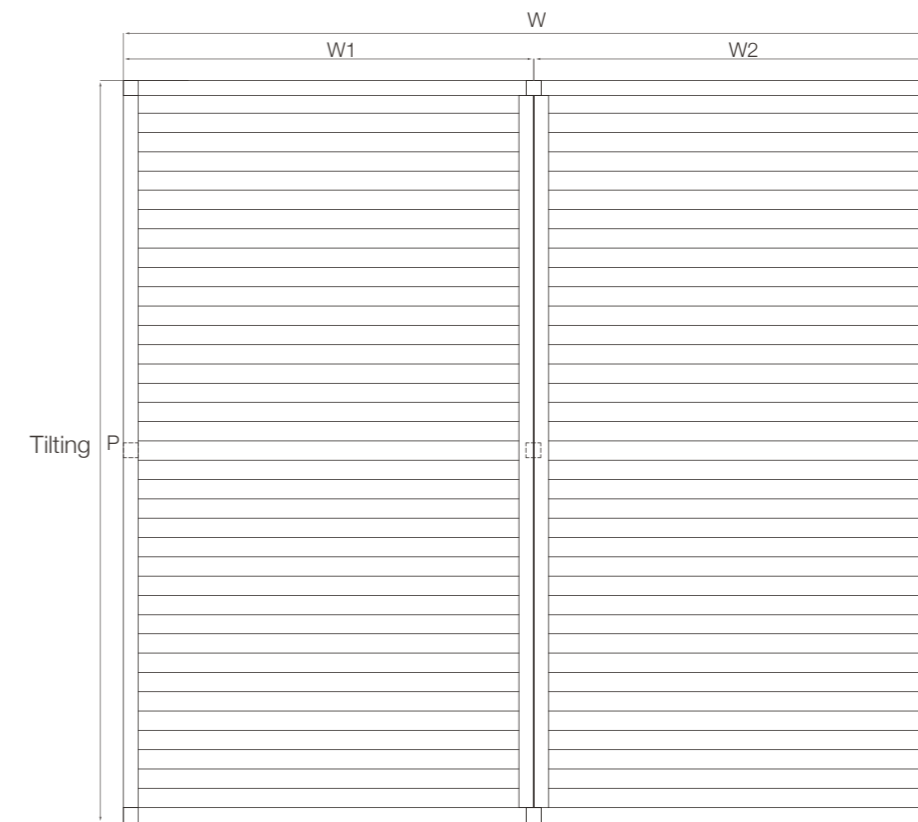
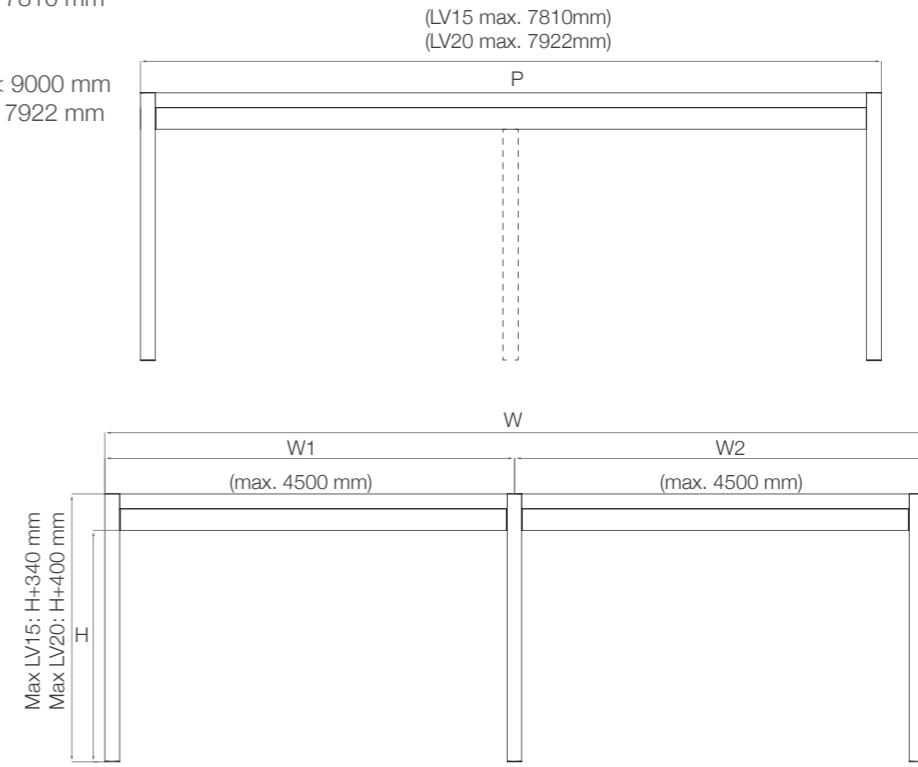
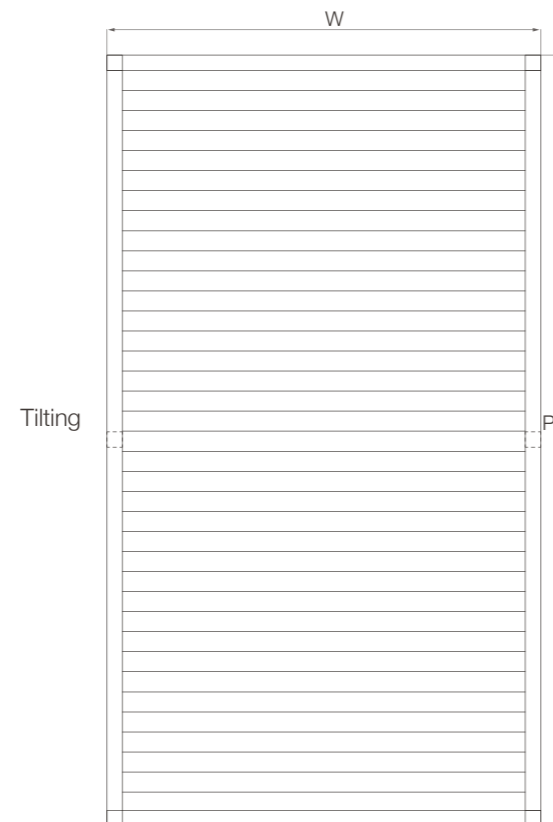
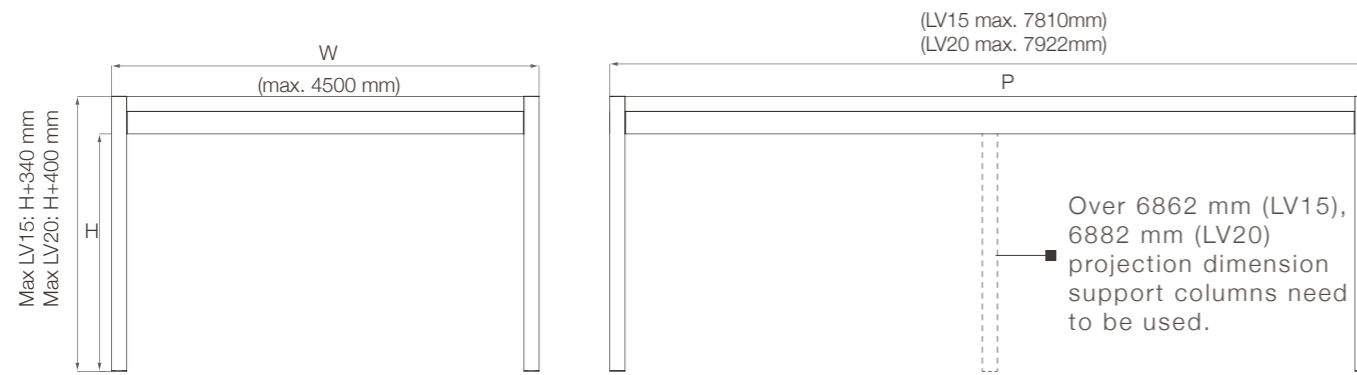


Single Module  
LV15  
W: 1000 mm < 4500 mm  
P: 1174 mm < 7810 mm

LV20  
W: 1000 mm < 4500 mm  
P: 1474 mm < 7922 mm

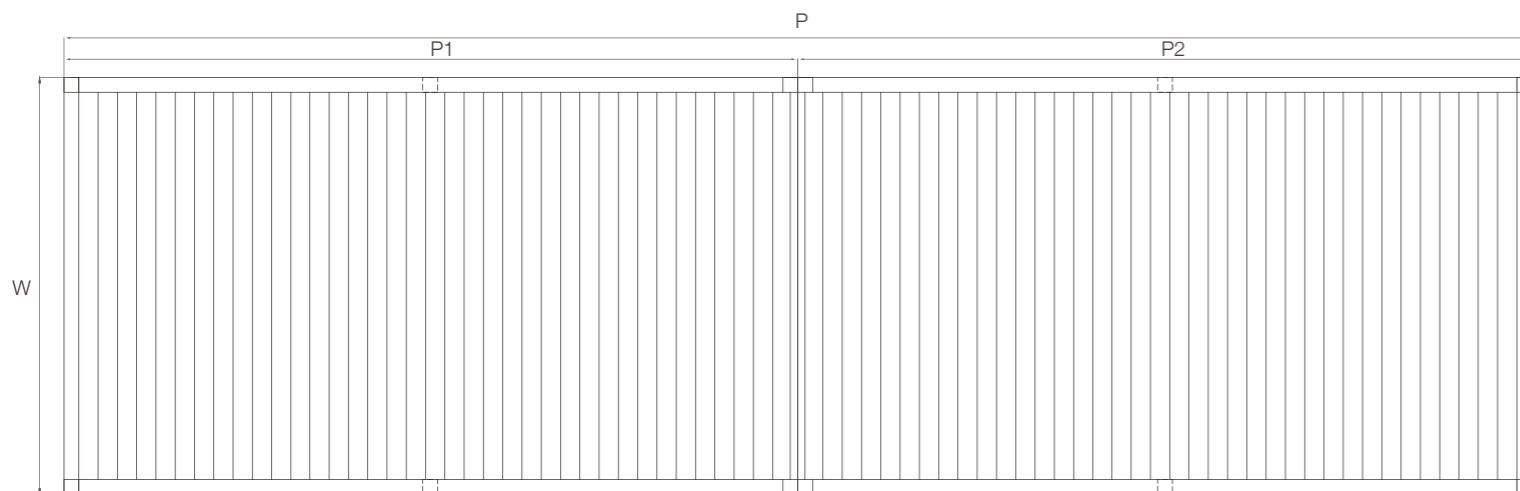
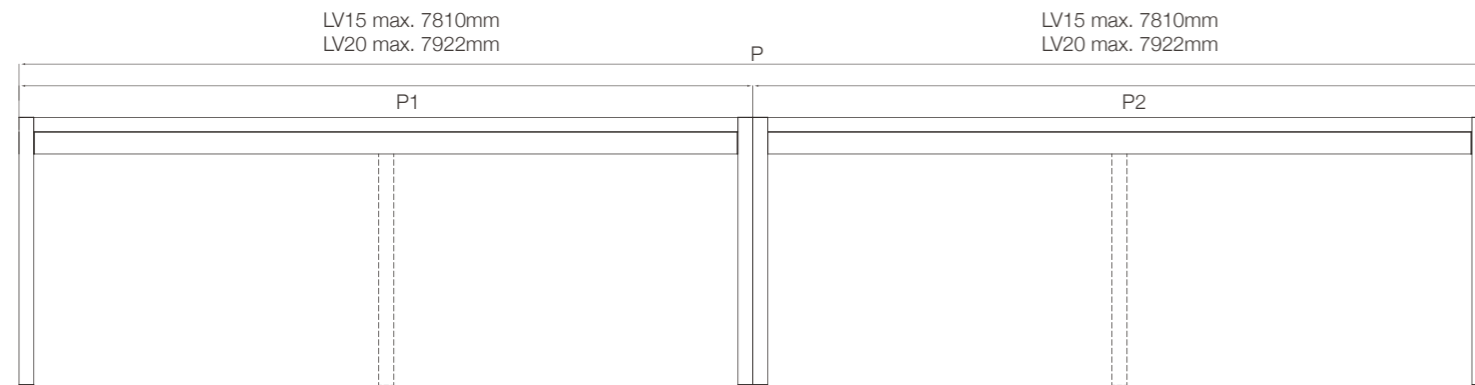
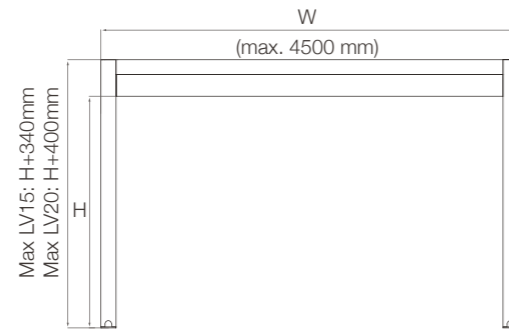
Multiple Modules Type 1  
LV15  
W: 2000 mm < 9000 mm  
P: 1174 mm < 7810 mm

LV20  
W: 2000 mm < 9000 mm  
P: 1474 mm < 7922 mm



Multiple Modules Type 2  
 LV15  
 W: 1000 mm < 4500 mm  
 P: 2348 mm < 15620 mm

LV20  
 W: 1000 mm < 4500 mm  
 P: 2948 mm < 15844 mm



Company Name:  
 Order Reference:

Order Date:

LOUVRE OPTION

- LV15
- LV20

INSTALLATION TYPES

- Self Standing
- Wall Mounting
  - Louvres Parallel to Wall
  - Louvres Vertical to Wall

QUANTITY: ..... pc

If modules are multiple and each module is in different width or projection. Please provide details (single module max. dimension is 4500x7860 mm / LV15 or 4500x7922 mm / LV20)

DIMENSIONS

W - Total Width..... mm  
 P - Projection ..... mm  
 H - Post Height..... mm  
 Total Number of Posts Required ..... pc

Type 1       Type 2  
 W1 ..... mm      P1 ..... mm  
 W2 ..... mm      P2 ..... mm  
 ....      ....  
 ....      ....

POWDER-COAT COLORS

Structure

- | RAL colors                    | Exclusive colors               | Texture colors                  |                                    |
|-------------------------------|--------------------------------|---------------------------------|------------------------------------|
| <input type="checkbox"/> 9016 | <input type="checkbox"/> OGN35 | <input type="checkbox"/> ST9010 | <input type="checkbox"/> Other ... |
| <input type="checkbox"/> 1013 | <input type="checkbox"/> OS561 | <input type="checkbox"/> ST9001 |                                    |
| <input type="checkbox"/> 9006 | <input type="checkbox"/> OY395 | <input type="checkbox"/> ST1013 |                                    |
| <input type="checkbox"/> 7006 | <input type="checkbox"/> OGN39 | <input type="checkbox"/> ST7039 |                                    |
| <input type="checkbox"/> 7016 | <input type="checkbox"/> ON617 | <input type="checkbox"/> ST7016 |                                    |
| <input type="checkbox"/> 9005 | <input type="checkbox"/> ON611 | <input type="checkbox"/> ST8019 |                                    |

Louvres

- | RAL colors                    | Exclusive colors               | Texture colors                  |                                    |
|-------------------------------|--------------------------------|---------------------------------|------------------------------------|
| <input type="checkbox"/> 9016 | <input type="checkbox"/> OGN35 | <input type="checkbox"/> ST9010 | <input type="checkbox"/> Other ... |
| <input type="checkbox"/> 1013 | <input type="checkbox"/> OS561 | <input type="checkbox"/> ST9001 |                                    |
| <input type="checkbox"/> 9006 | <input type="checkbox"/> OY395 | <input type="checkbox"/> ST1013 |                                    |
| <input type="checkbox"/> 7006 | <input type="checkbox"/> OGN39 | <input type="checkbox"/> ST7039 |                                    |
| <input type="checkbox"/> 7016 | <input type="checkbox"/> ON617 | <input type="checkbox"/> ST7016 |                                    |
| <input type="checkbox"/> 9005 | <input type="checkbox"/> ON611 | <input type="checkbox"/> ST8019 |                                    |

LED LIGHTS

- Led Stripe Dimmer Lighting
  - Cool White
  - Day Light
- RGB Led - Hidden Stripe Lighting

SENSORS

- Rain Sensor
- Wind Sensor

OPTIONALS

- Supporting Post
- Insulation Foam  
\*Avl. for LV20 only
- Edge Cover Profile

COLUMN BASE OPTIONS

- Hidden (Standard)
- Flange
- Flange With Cover Cap

FLANGE POSITIONS

- Type A
- Type B
- Type C

DRAINAGE TYPES

- Type I
- Type II
- Type III
- Type IV

PACKAGING

- Standard
- Wooden Crate  
Extra cost

ADDITIONAL NOTES & DRAWINGS ATTACHED



## Technical Details



	LV15	LV20
Max. width for single module	4500 mm	4500 mm
Max. projection single module	7810 mm	7922 mm
Rafter profile dimension	160x240 mm	160x240 mm
Post dimension	160x160 mm	160x160 mm
Edge cover profile dimension	99 mm	154 mm
Louvre dimension	150 mm	200 mm
Louvre quantity with max. size	48 pcs	37 pcs
Louvre can be tilted up to	85°	85°
Automation	included	included
Control unit	included	included
Led Stripe Dimmer lighting	optional	optional
RGB Led - Hidden Stripe lighting	optional	optional
Insulation foam	N/A	optional
Edge cover profile	optional	optional
Drainage pipe	optional	optional
Flange	optional	optional
Rain Sensor	optional	optional
Wind Sensor	optional	optional

## Technical Specifications Axis

New Generation Outdoor Covering Solutions  
Bioclimatic Systems With Tilting Function

### Description

Axis is a new generation of high-tech bioclimatic covering solution that is composed of a high grade structural aluminium frame and tilting aerofoil louvres.

### Dimensions

#### One module

**Width** 1000 mm < 4500 mm

**Projection** 1174 mm < 7810 mm(LV15) / 1474 mm < 7922 mm(LV20)

**Height** 3000 mm

- Blocked assembly for customized modules with a wide range of flexible combinations.

### Technical Characteristics

- Extruded aluminium frame, blades & gutters - clean edges.
- Electrostatic powder-coated frame.
- High-quality aluminum extrusion profiles (Aluminium Alloy 6063-T6).
- Concealed screws to offer clean finish.
- High grade stainless steel connection components.
- Large span with 4500mm dimension.
- Double-walled or single-walled aerofoil louvres with superior strength and durability.
- Invisible 15 mm slope on louvres for maximum water flow efficiency.
- Adjustable louvres for any position within the 85° range.
- Remote control for operation of mechanism and lighting.
- Dimmer option to adjust lux intensity.
- Antibacterial polyurethane foam insulation which can be integrated into the louvre to provide sound and heat insulation. (Available for Axis LV20).
- Fully waterproof coverage when louvres are in fully closed position.

- Functional seal integration on louvre channel to prevent water leaking and provide extra insulation.
- Seal integration along structure for water insulation and temperature resistance.
- The water is flowed down to the main gutters by special drainage channels along the louvres and drained through columns.
- Optional edge cover profile which complete smooth design.
- Hidden IP68 protection class, 12/24VDC power supplied linear actuator motor with stainless steel piston rod that enables the louvre to rotate.
- Applicability of guillotine, sliding / sliding frame / folding glass and zip systems.
- Production in compliance with CE, ISO 9001, ISO 1400 and NVA standarts.
- In addition to standart RAL colors, Exclusive and Texture range aluminium colors can be offered as extended selection.
- Functional louvre lay out in parallel or vertical position to wall.

II | Profile Section Dimensions

- Rafter / Gutter : 160 mm x 240 mm x 3 mm
- Column : 160 mm x 160 mm x 3 mm
- Louvre LV15 : 206 mm x 50 mm x 1,8 mm
- Louvre LV20 : 261 mm x 60 mm x 2 mm

III | Installation Methods

- Individual modules can be customised according to specified finish up to 4500mm width and 8000 mm projection with flexible installation methods such as integration into existing frameworks, wall mounting and free standing for larger outdoor areas.
- System can be assembled as single or multiple modules.

V | Columns

- Dimensions: 160 x 160 mm x 3 mm.
- Simple column assembly.
- The column cavity conceals the wiring cables of heater, speaker or automation to provide pure appearance.
- 3 different column base options: Hidden, Flange, Flange With Cover Cap.

V | Weather Resistance

Wind Resistance

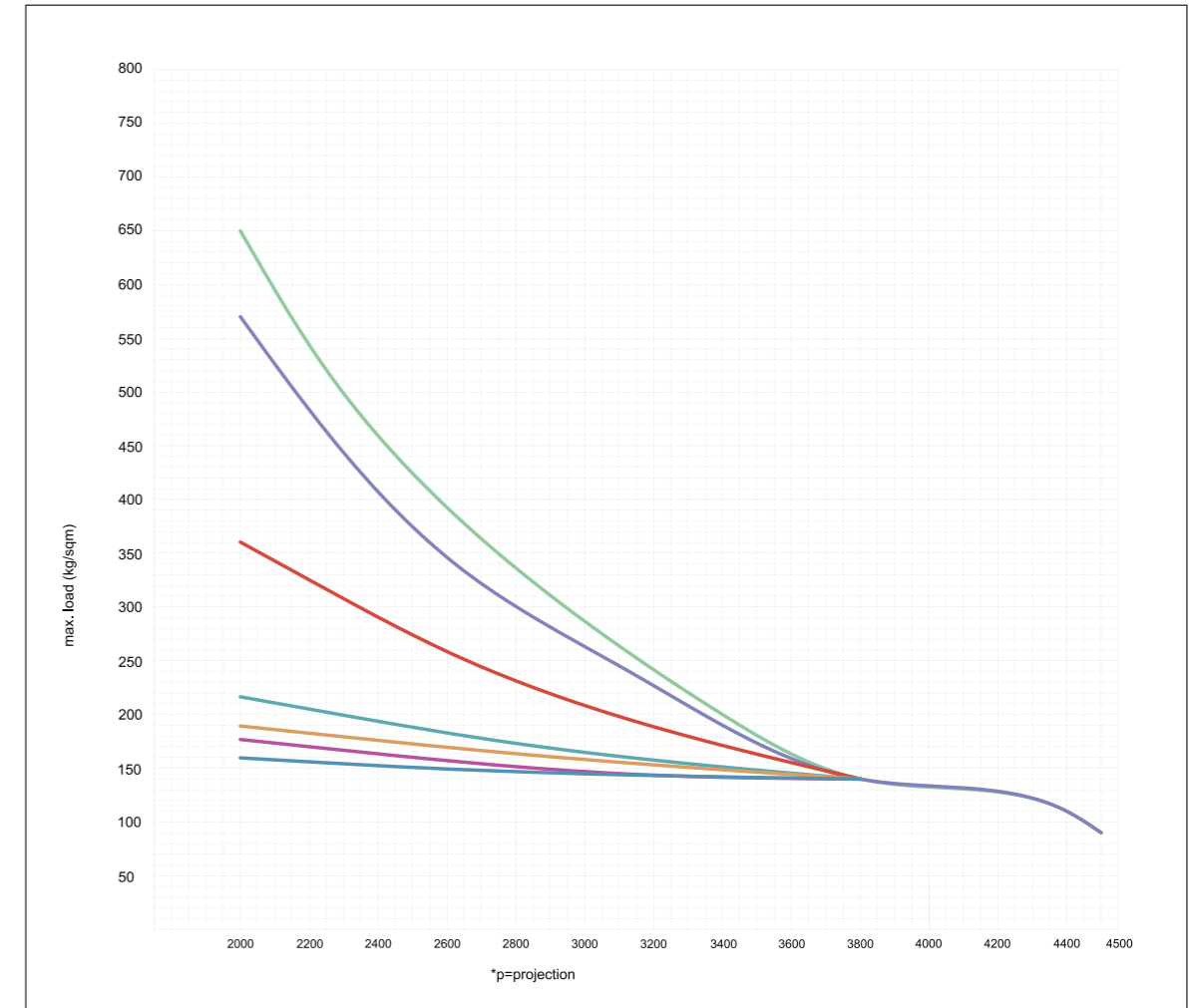
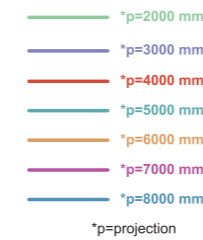
- Wind rating up to Beaufort number 10 (up to 102km/h).

Water Drainage

- The four sided gutter for completely ensured waterproofness.
- Water drainage with an intensity of 155 L/h/sqm that last up to 2 minutes maximum.
- Customised drain points flexibility.

Snow load

See dimension based snow chart below.



VI | Tests

Our systems are subjected to variety of tests in order to check their resistance under every type of circumstances. Tests done following the requirements of International Standards involving parameters such as wind resistance and rainfall or snowfall demonstrate the excellent performance of our pergolas against the most adverse conditions.



Standard UNE-EN 13659:2004+A class 6 (approx. 102 km/h) tested up to 102 km/h without breaking within test bench parameters.



≤650 kg/m<sup>2</sup> (including its own weight) Standard EN-1999 EUROCODE 9 aluminium structures project.

\*Values will be decreased based width and projection dimensions.



Standard UNE-EN 12056-3, (0,04 l/s max.) constant heavy rain aprox. 155 l.m2/h (structures + slats).

**VII | Additional Equipments**

- Heater, speaker, air conditioner or other automations can be integrated.
- Wind and rain sensors can be adapted.

**VIII | Lighting**

Integrated RGB-Led Hidden Stripe and Led Stripe Dimmer Lighting on sides within the structure.

**- Led Stripe Dimmer Lighting**

Cool White, 60 LEDs/m I +5100-6500K I 1130 lumens/m

Day Light, 120 LEDs/m I +2800-3500K I 1094 lumens/m

**- RGB Led-Hidden Stripe Lighting**

60 LEDs/m

**IX | Sensors**

Wind and rain sensors can be adapted for an optimum level of comfort. These smart sensors are designed to respond fully automatic based on weather conditions in a specific situation. It functions as a protection against unexpected weather conditions.

Sensors will activate an automated system that close/retract the roof and protect the furniture & underneath of covered area even if you are not able to control the system.

**Wind sensor**

Wind sensor monitors the gust of wind then retract your outdoor product to protect it against unexpected strong winds and offers constant protection.

The wind speed value required to do this is set directly at the sensor. If the wind picks up significantly wind sensor will close the roof depending on a pre-set wind speed. Thanks to ease of installation and minimal cabling it can be setup simply.

**Rain sensor**

Rain sensor will automatically detect the rain and close your roof to prevent raindrops falling through open roof systems even if you are not able to control the system.

If rain is detected the pergola will be closed and the remote control will be needed to open it back.

**X | Closures**

Systems can be completely enclosed with Sapphire automatic vertical glass system, Swind windbreaker system, Violet, Framee, Slidia or motorised Vertex zip for further protection from the elements.

**Sapphire**

Sapphire is an automatic vertical guillotine glass system enriched with patented worm shaft technology.

- Systems can incorporate framed tempered 8 mm and 10 mm single or 4mm+12mm+4mm / 5mm+10mm+5mm double insulated glazing.
- Optional 2 or 3 panels configurations are available up to 4 meters width and 3 meters height or 3 meters width and 3,5 meters height.
- Electrostatic powder-coated frame.
- Operation is motorised.
- Upwards or downwards parking position options.
- Fixed panels can be used as balustrades.
- The position of movable panels can be adjusted according to desired height.
- Thanks to strengthened counterweight movement mechanism motor provides balanced&silent up/down operation.
- Fully hidden motor drive.
- Switch, remote or smart home control availability.
- Fine frames with thermal and sound insulated rubber seals.
- Wide open view with up to 4 meters width vertical glass panels.

**Cycle**

Cycle is an automatic vertical guillotine glass system with strengthened chain mechanism.

- Systems can incorporate framed tempered 5mm+11mm+5mm double insulated glazing.
- Optional 2 or 3 panels configurations are available up to 4 meters width and 3 meters height or 3 meters width and 3,5 meters height.
- Electrostatic powder-coated frame.
- Motorised operation with switch, remote or smart home control availability.
- Upwards or downwards parking position options.
- Balustrade usage ability with the handrail design that covers the glass panels.
- The position of movable panels can be adjusted according to desired height.
- Thanks to strengthened counterweight movement mechanism motor provides balanced&silent up/down operation.
- Fully hidden motor drive.
- Protected usage with safety sensor.
- Fine frames with thermal and sound insulated rubber seals.
- Easy assembly & disassembly with compact guide profile consisting of four parts.
- Wide open view with up to 4 meters width vertical glass panels

### Swind

Swind is an automatic vertical up-down glass panel.

- Electrostatic powder-coated frame.
- Extruded aluminium fix panel frame.
- Concealed screws to offer clean finish.
- Horizontal counterweight for smooth motion.
- High strength belt mechanism for balanced movement.
- 10mm fixed and 8mm up-down automatic moveable tempered glass panels.
- Frameless moveable glass panel for unobstructed view.
- Led stripe dimmer lighting integrated side frame / invisible electrical cables.
- Remote control for operation of mechanism and lighting.
- Fast opening-closing cycle.
- Fully hidden compact direct drive motor system.
- Ease of installation with single or multiple modules.
- Portability with optional wheel integration.
- Availability of usage as balustrade in closed position.
- Transparent panels in standards besides Smoked, Green, Blue and Bronze color options.

### Violet

Violet glass balustrade system.

- Concealed screws to offer clean finish.
- Glass fixed pane is 8+1.52 pvb+8mm
- Led stripe dimmer lighting integrated underneath the glass / invisible electrical cables.
- Remote control for operation of lighting.
- Ease of installation with single or multiple modules.
- Availability of usage as Hand Rail (Optional).
- Compact & Easy Assembly.
- Transparent panels in standards besides Smoked, Green, Blue and Bronze color options.

### Framee

Framee, sliding glass system with fine-framed double glazed panels.

- Double insulated glass (6+12+6mm).
- Transparent sliding glass panels in standard besides of Blue, Green, Smoked and Bronze glass color options.

- Electrostatic powder-coated frame.
- Handle with Click Lock on first panel and Handle with Hidden Lock on the last panel on internal side of sliding panels for security measures.
- Combination availability with Vertex Zip System for sun protection.
- Available with 2,3 or 4 rails up to maximum 8 panels combined with side or central openings.
- Natural, stainless steel and black anodise color options.

### Slidia

Slidia is a sliding glass system with individual parallel glass panels.

- Electrostatic powder-coated frame.
- Features slim aluminum glass profiles.
- Individual panels can be moved horizontally with single or double slide options.
- Bottom wheel carriages with double rollers ensure optimum and smooth running even with wide glass panels.
- Successive panels can be moved by the grap mechanism.
- Height adjustable wheel carriages up to 5mm.
- Sloped rail design for efficient drainage.
- Anodised bottom rail for easy and smooth movement.
- Rain and wind resistance by double sided transparent gaskets (standard), transparent gaskets with brush or aluminum slats with brush.
- Brush and rubber cord for high frame insulation.
- Anti-slip rubber ensures safety passage and also offers ease of rail surface cleaning.
- Transparent sliding glass panels in standard besides of Blue, Green, Smoked and Bronze glass color options.
- Internal or external locking of the sliding panels by optional key lock for security measures.
- Flush Circle and Push & Pull Bar handle types and Allen&Key lock.
- Combination availability with Vertex Zip System for sun protection.
- Available with 3 or 5 rails up to maximum 10 panels, combined with side or central openings.

### Vertex Zip System

Vertex is a motorised external blind system.

- It provides comfortable shade and protects against the UV rays.
- The system includes motorised aluminium structure.
- Each screen has a pair of identical side channels.
- Entirely powder-coated with stainless steel components.
- Maximum protection against solar radiation and penetration of heat while preserving the optimal level of natural light in the interior and contact with environment.

- The production technology of fabrics ensures a high resistance to external influences such as wind or changes in temperature and humidity.

**Wallfix**

Wallfix is an aluminum louvered fixed wall system.

- Electrostatic powder-coated frame.
- High-quality aluminum extrusion profiles (Aluminium Alloy 6063-T6).
- Compact & Easy Assembly with click louvre connection.
- Clean finishes with hidden joining details.
- Extruded aluminium fine line fixing frame.
- Concealed screws to offer clean finish.
- Large span with 6000mm dimension.
- Sound and heat insulation with double layered louvre (panel) design.
- Maximum safety with block assembly.

**Doors**

**Glass door**

- Frameless hinged and frameless hydraulic glass doors are available.
- Single tempered glass (10mm).
- Available with single panel and double panels (each panel in maximum 1000mm).
- Flush Circle and Push & Pull Bar handle types and Allen&Key lock.
- Transparent panels in standards besides Smoked, Green, Blue and Bronze color options.
- Handle position height can be adjusted as desired (Standard height value is 110cm).
- Allen&Key lock for security.

**Framed glass door**

- Hinged and hydraulic framed glass doors are available.
- Electrostatic powder-coated frame.
- Available with double insulated single panel and double panels (each panel in maximum 1000mm).
- Double insulated glass (4+11+4mm).
- Transparent panels in standards besides Smoked, Green, Blue and Bronze color options.
- Handle position height can be adjusted as desired (Standard height value is 110cm).
- Internal or external locking of the sliding panels by optional key lock for security measures.
- Push & Pull Bar handle types.

- Pull Handle/ Lock.

**Photocell Door**

- Aluminum framed automatic glass door.
- Electronic lock.
- Possibility of manuel usage in emergency situations.
- Electrostatic powder-coated frame.
- Available in Laminated glass (4+4mm).
- Single panel and double panel options (each panel in maximum 1000mm).
- Fast opening-closing cycle and insulation materials for preserving heat balance between indoor and outdoor.
- Transparent panels in standards besides Smoked, Green, Blue and Bronze color options.
- One side button or double side button and double sided transition control types.

**XI | Structure Color Options / Finishes**

- The products are available with a wide range of colour options in standard or architectural textured coatings.
- In addition to standard RAL colors, Exclusive and Texture range aluminium colors can be offered.
- QualiMarine and Qualanod finishes are also available beside of Qualicoat finishes.

**XII | Warranty**

	Axis	Sapphire	Cycle	Swind	Violet	Framee	Slidia	Vertex	Wallfix
Structure& Coating	5 years	5 years	5 years	5 years	5 years	5 years	5 years	5 years	5 years
Mechanics	2 years	2 years	2 years	2 years	N/A	2 years	2 years	2 years	N/A
Motor&Control Units	2 years	2 years	2 years	2 years	2 years	N/A	N/A	2 years	N/A
Lighting& Control Units	2 years	N/A	N/A	2 years	2 years	N/A	N/A	N/A	N/A

\*End user and installation defects are not covered.

# Overview

## Operations

LV15



## Lighting Options

Led Stripe Dimmer Lighting

Cool White



Day Light



RGB Led-Hidden Stripe Lighting

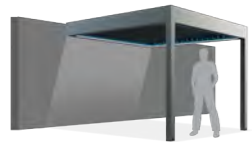


## Installation Types

Self Standing Single Module



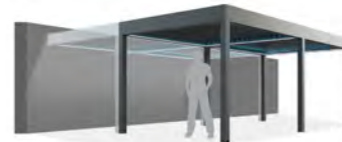
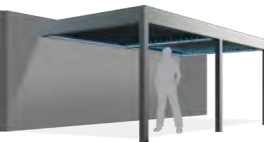
Wall Mounting Single Module



Self Standing Multiple Modules



Wall Mounting Multiple Modules



## Closures

Sapphire& Cycle



Swind



Violet



Framee



Slidia



Vertex



Wallfix



## Operations

LV20



## Lighting Options

Led Stripe Dimmer Lighting

Cool White



Day Light



RGB Led-Hidden Stripe Lighting



## Installation Types

Self Standing Single Module



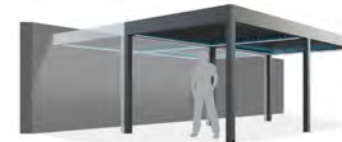
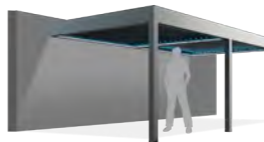
Wall Mounting Single Module



Self Standing Multiple Modules



Wall Mounting Multiple Modules



## Closures

Sapphire& Cycle



Swind



Violet



Framee



Slidia



Vertex



Wallfix



ENQUIRIES AUSTRALIA WIDE

Phone: 1300 856 499

Email: sales@sbdau.com.au

HEAD OFFICE

Structures By Design Australia

16/15 Earsdon St

Yarraville, VIC 3013

Phone: 1300 856 499

AXIS



## Optional

Insulation Foam



Edge Cover Profile

Without



With



## Sensors

Rain Sensor



Wind Sensor

