



LouvreLux

EXXEN

Perfect fusion of functionality, redefinition of outdoor living areas

Exxen is a high-end scissors bioclimatic aluminum pergola system that performs the most desired function in outdoor living spaces with its fully retractable feature.

It is designed to enhance your exteriors considerably to enable absolute protection and more relaxing time for any kind of outdoor living areas. The system is uniquely flexible and modular custom built to be adapted various types of large application areas such as restaurants, terraces, balconies either private or commercial with its distinguished design.

System enables you to make shadow control thanks to a simple opening and closing system with automated pivoting louvres that provides natural air flow effect and exceptional quality of outdoor life in the open air.

Thanks to its retraction feature Exxen allows you to see the open sky clearly and helps you benefit from daylight at the maximum level. It is extremely suitable for using your outdoor living space in all seasons and contributes to preserving your stylish line by showing an aesthetic harmony with other complementary products.

Individual modules can be custom made in your specified finish up to 7m wide and 8m projection with flexible integration solution between existing structures with an operable architecture. Also several modules can be linked to each other and even larger patio roof can be created by coupling multiple modules.

System is visually enriched with its elegant Hidden Led Stripe and RGB lighting options that can be adjusted according to current mood of user. Also optional insulation foam is available that enables heat and sound insulation.

■ Led Stripe Dimmer Lighting

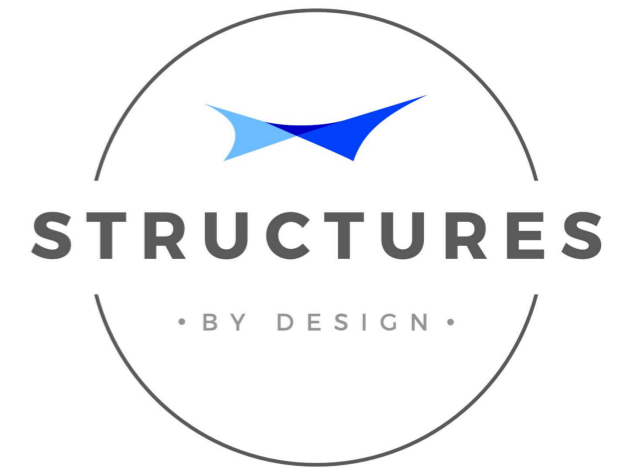
■ RGB Led-Hidden Stripe Lighting




 LouvreLux

Led Stripe Dimmer Lighting illuminates all around the system and creates a warm atmosphere. Dimmable Soft Led Stripe lighting on sides within the structure provides intensity of day light or cool white options.

RGB Led-Hidden Stripe Lighting provides ultimate luxury by creating distinctive atmosphere in outdoor living areas with infinite colour options.



Operations

Fully Closed

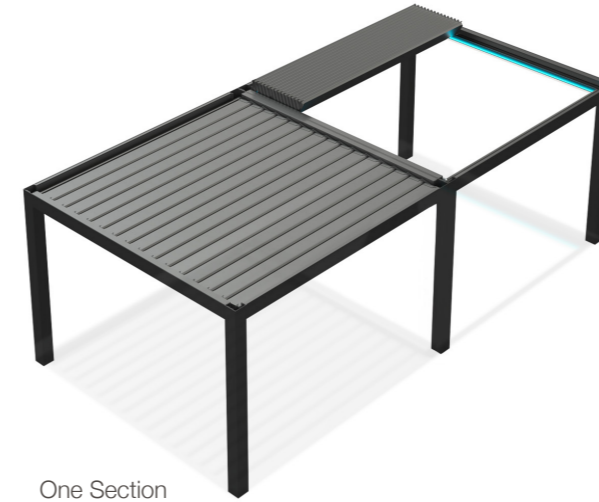


One Section

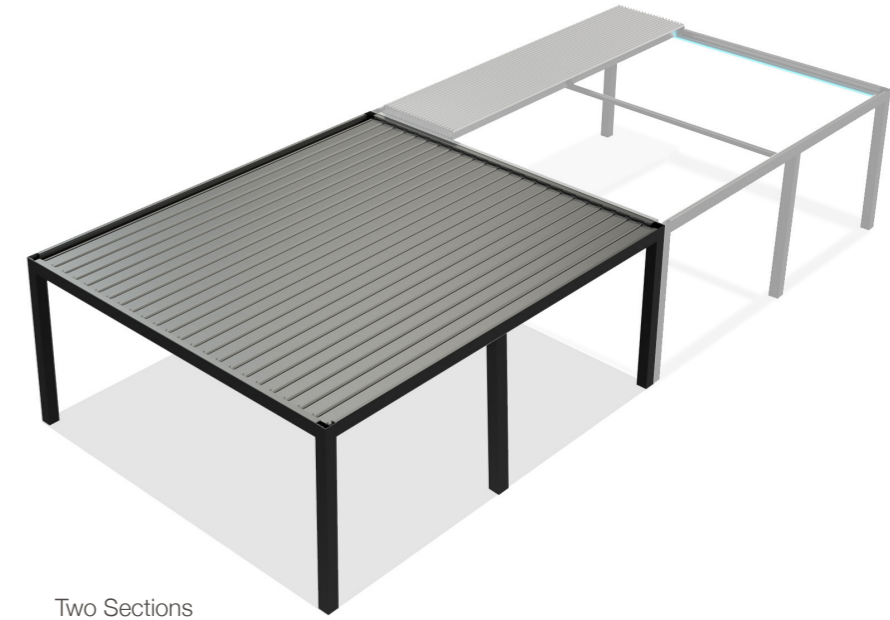


Two Sections

Fully Closed & Retracted

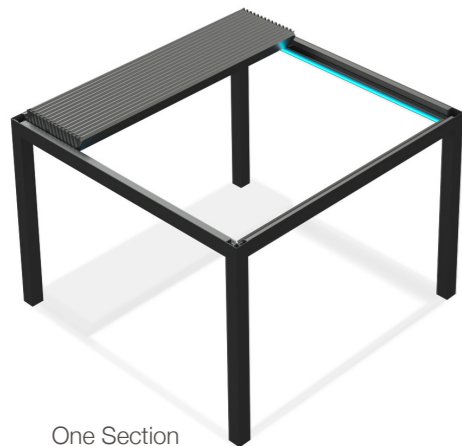


One Section



Two Sections

Retracted

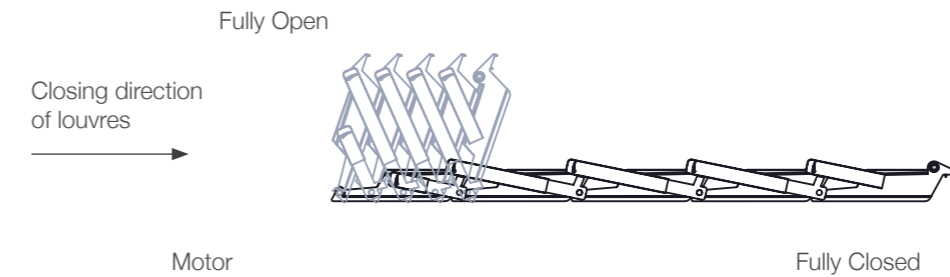


One Section

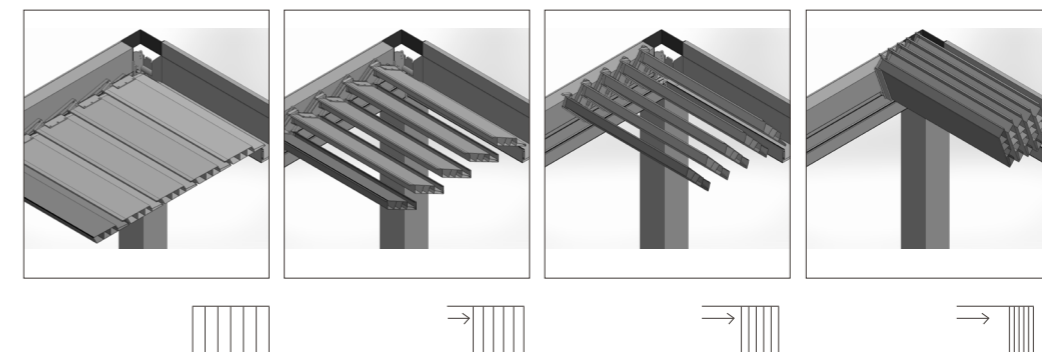


Two Sections

Louvre Closing Direction

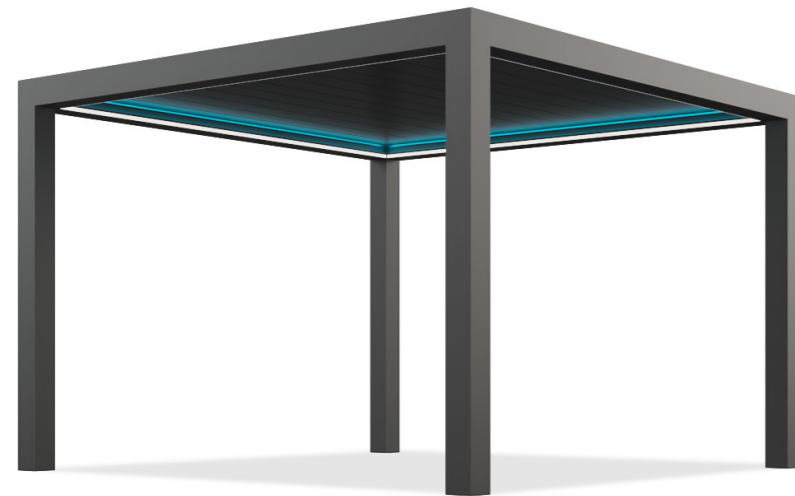


Tilting Directions

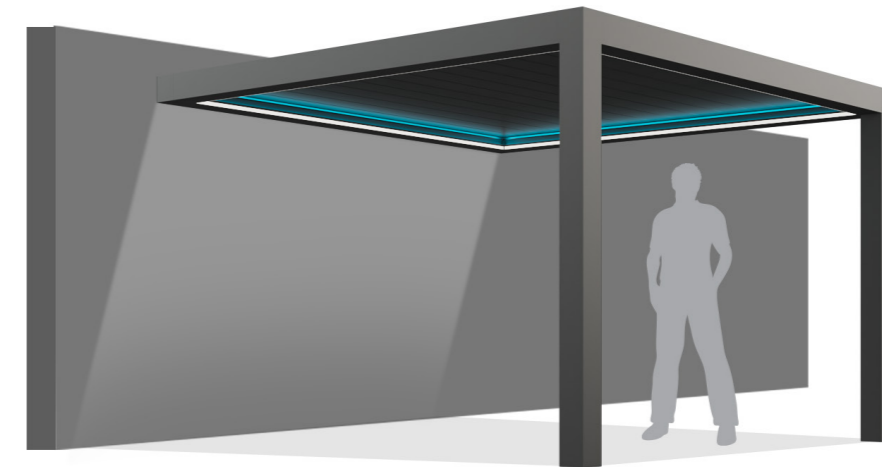




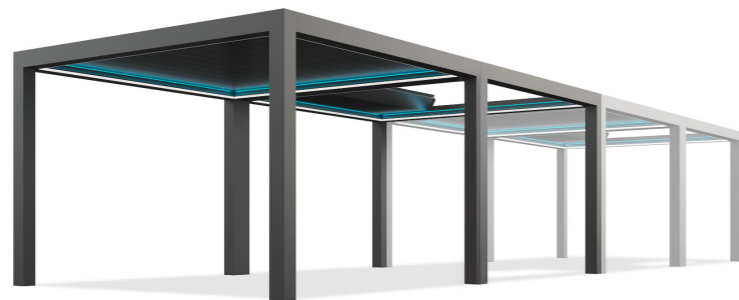
Flexible installation methods are available with wall mounting and free standing installations and they can even be served as a roof assembled to existing frameworks.



Self Standing
Single Module



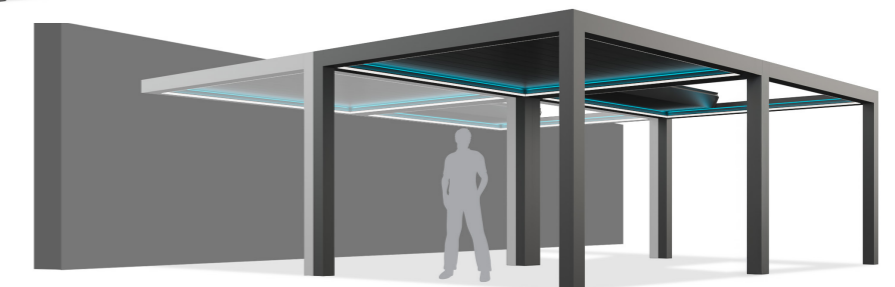
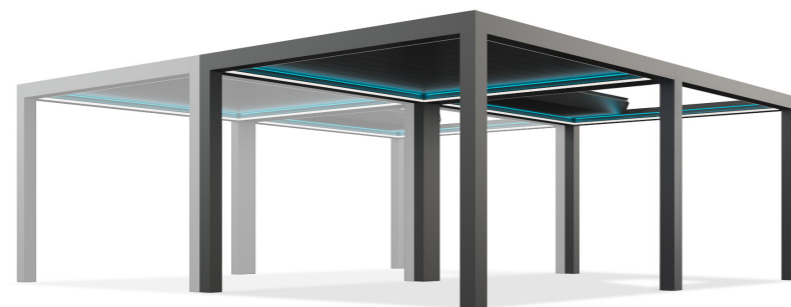
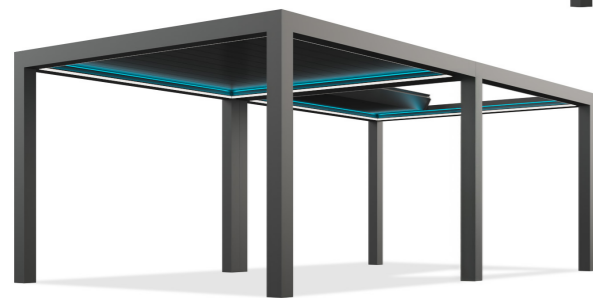
Wall Mounting
Single Module



Self Standing
Multiple Modules

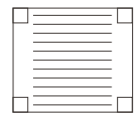


Wall Mounting
Multiple Modules

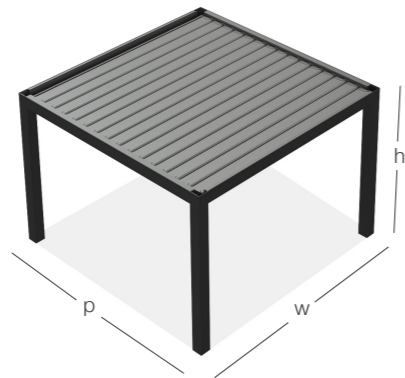


Blocked assembly for customized modules with a wide range of flexible combinations.

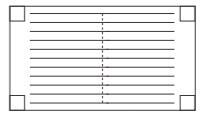
One Section



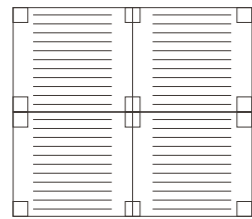
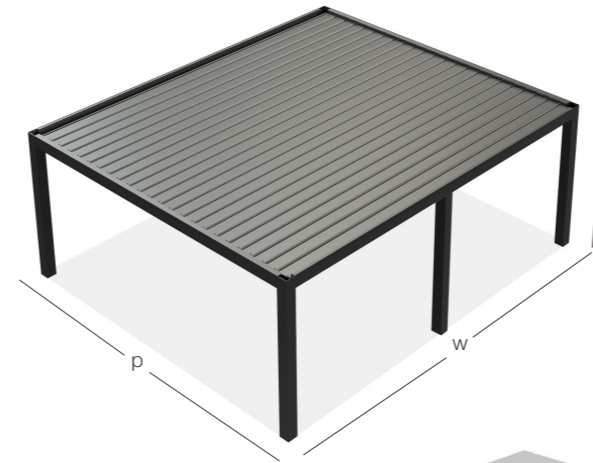
One Section
 (w) Width 1200 mm < 4500mm
 (p) Projection 1566 mm < 8091mm
 (h) Height 3000 mm



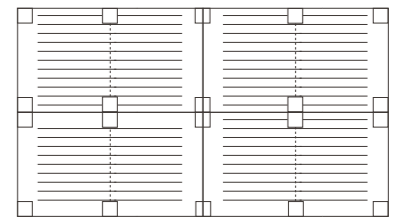
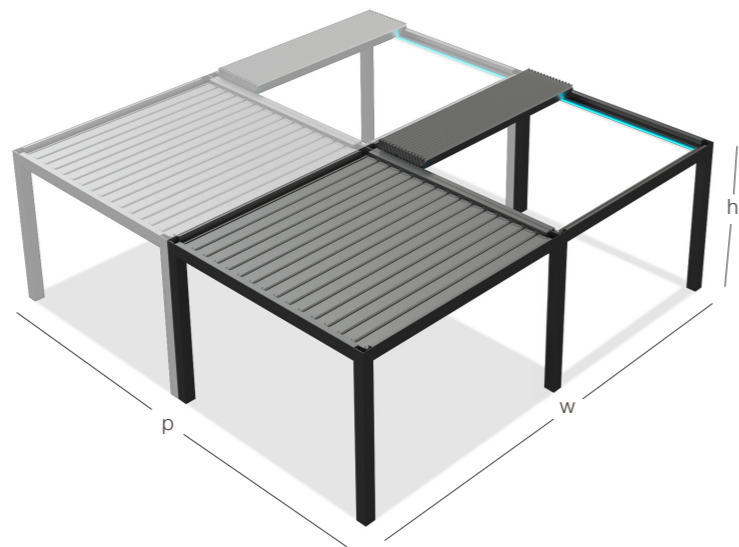
Two Sections



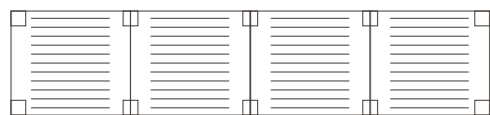
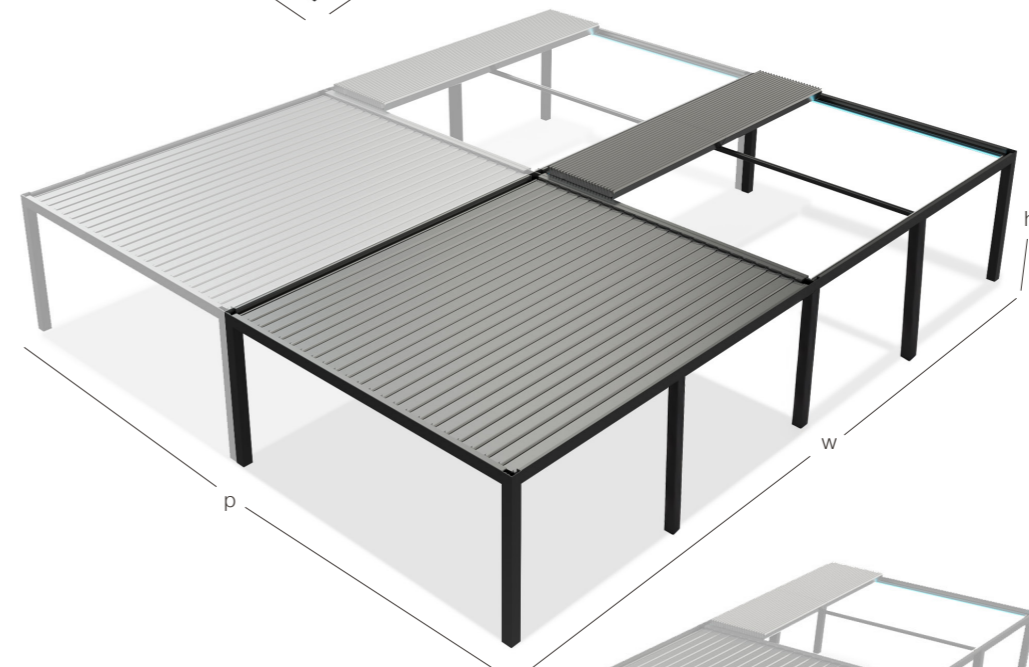
One Section
 (w) Width 4501 mm < 7000mm
 (p) Projection 1566 mm < 8091mm
 (h) Height 3000 mm



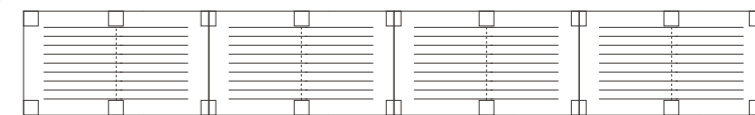
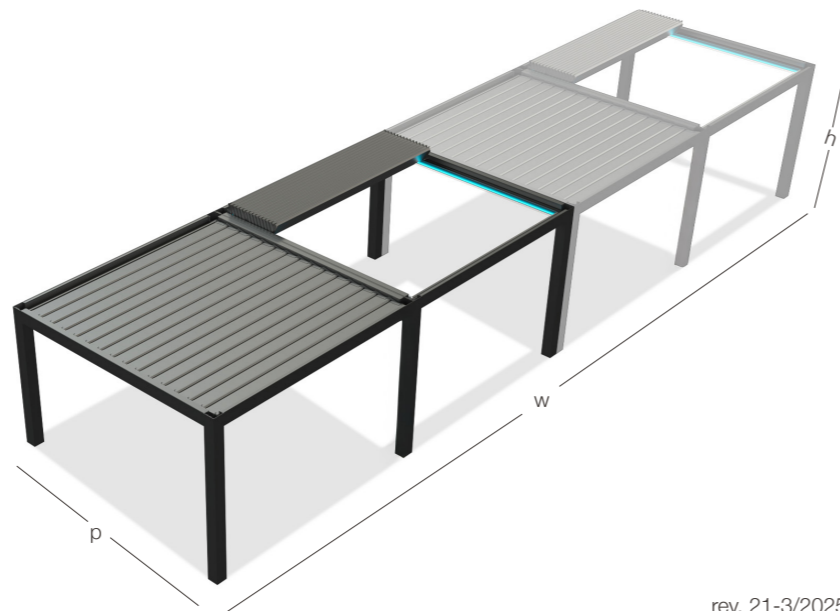
One Section
 (w) Width 2400 mm < 9000mm
 (p) Projection 3132 mm < 16182mm
 (h) Height 3000 mm



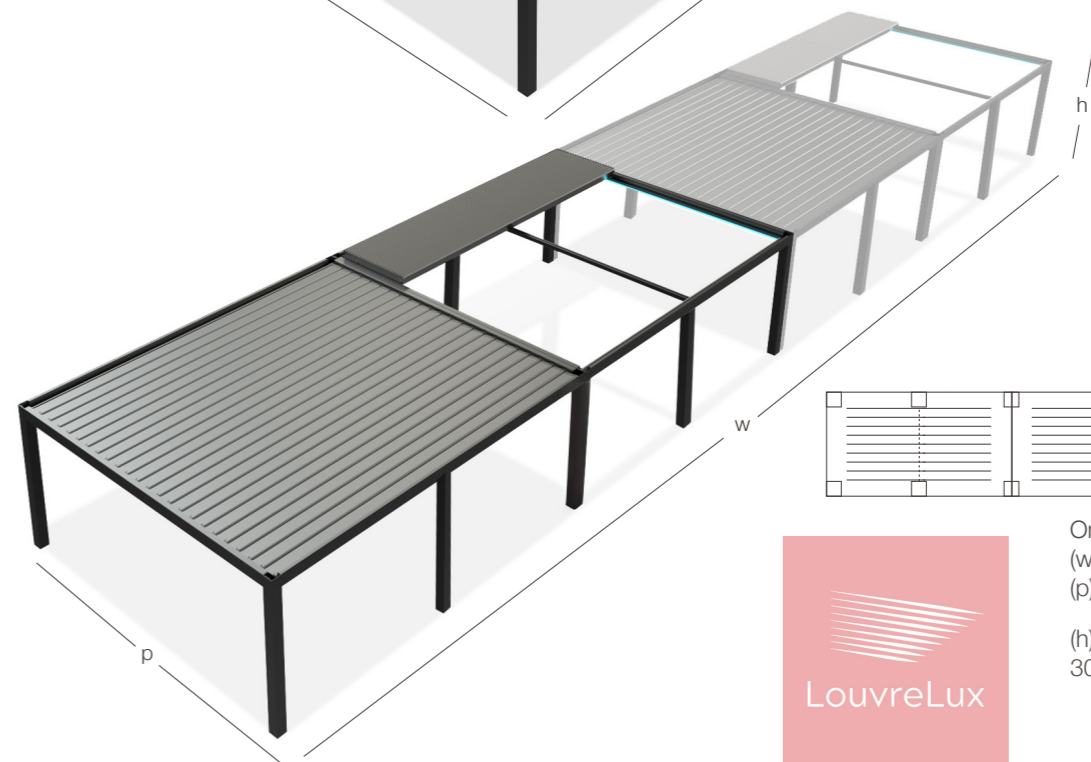
One Section
 (w) Width 9002 mm < 14000mm
 (p) Projection 3132mm < 13932mm
 (h) Height 3000 mm



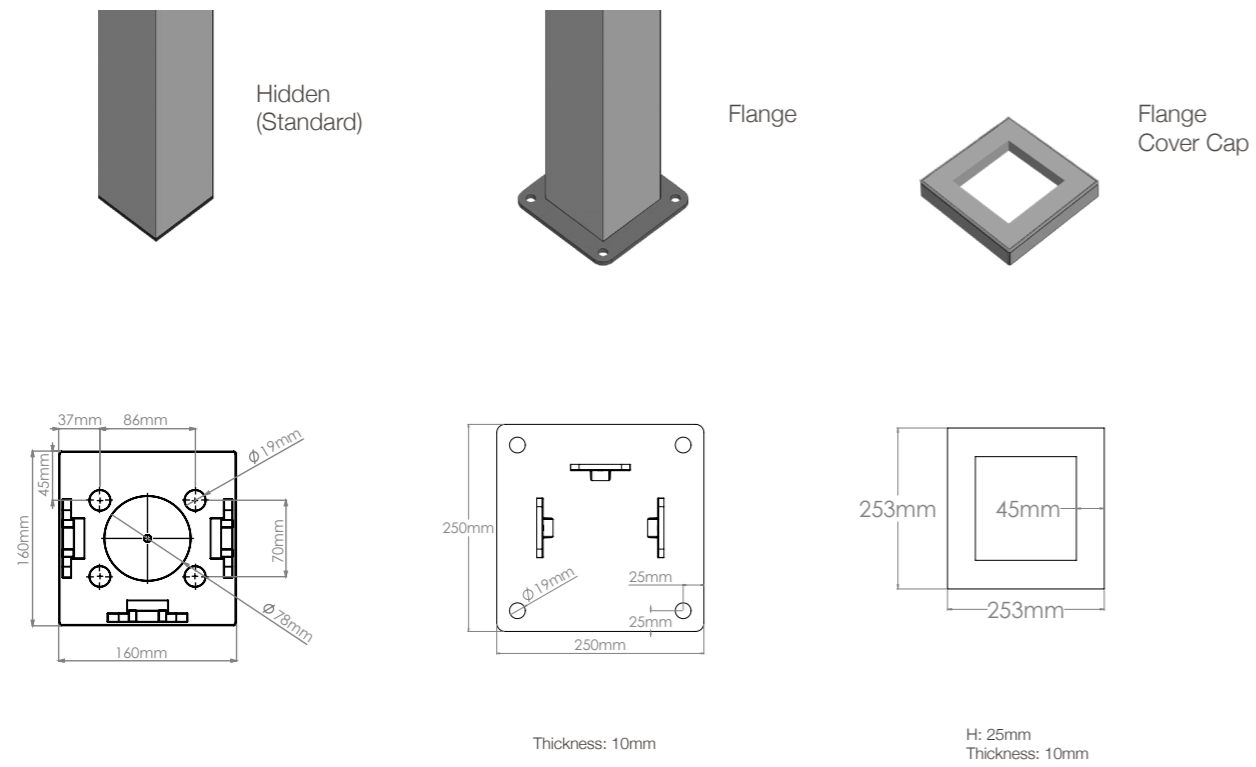
One Section
 (w) Width 4800 mm < 18000 mm
 (p) Projection 1566 mm < 8091 mm
 (h) Height 3000 mm



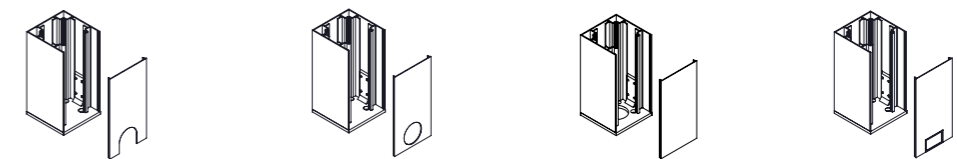
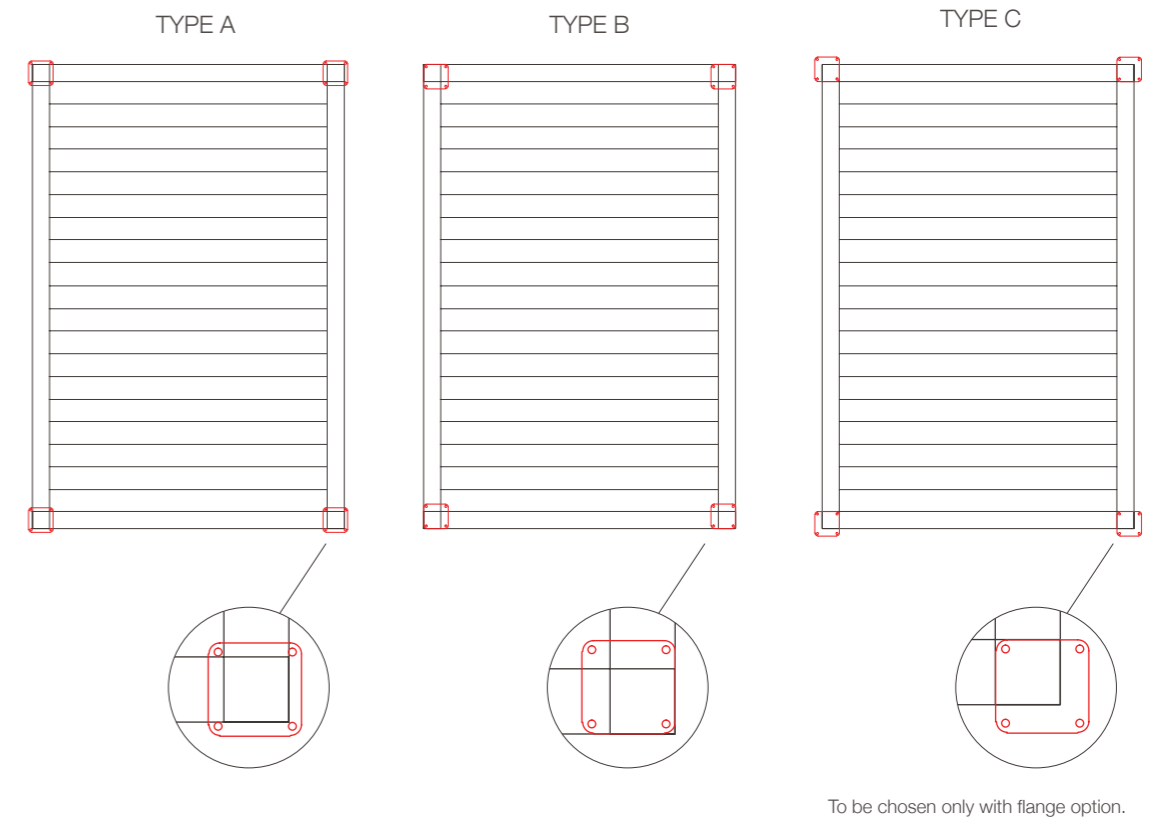
One Section
 (w) Width 18004 mm < 28000mm
 (p) Projection 1566mm < 8091mm
 (h) Height 3000 mm



Column Base Options

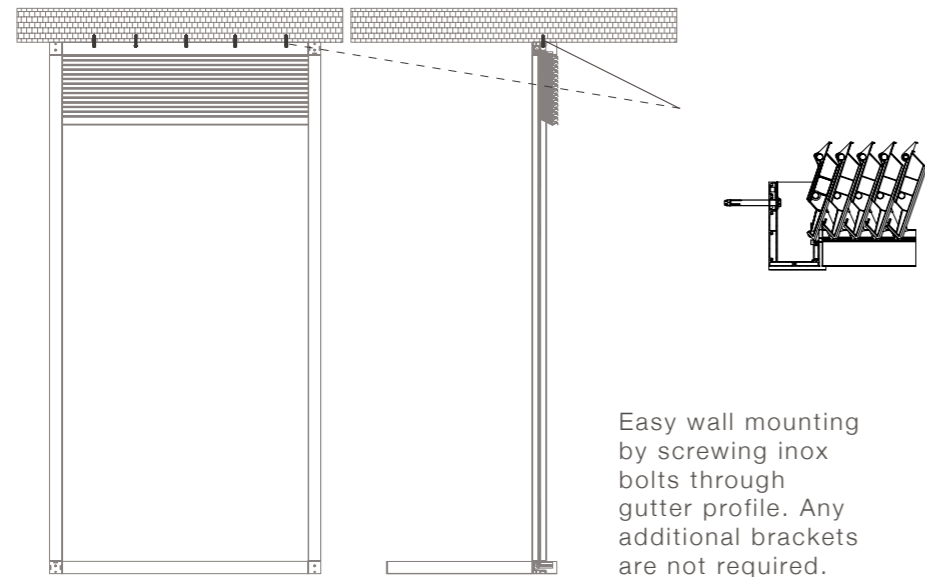


Flange Positions



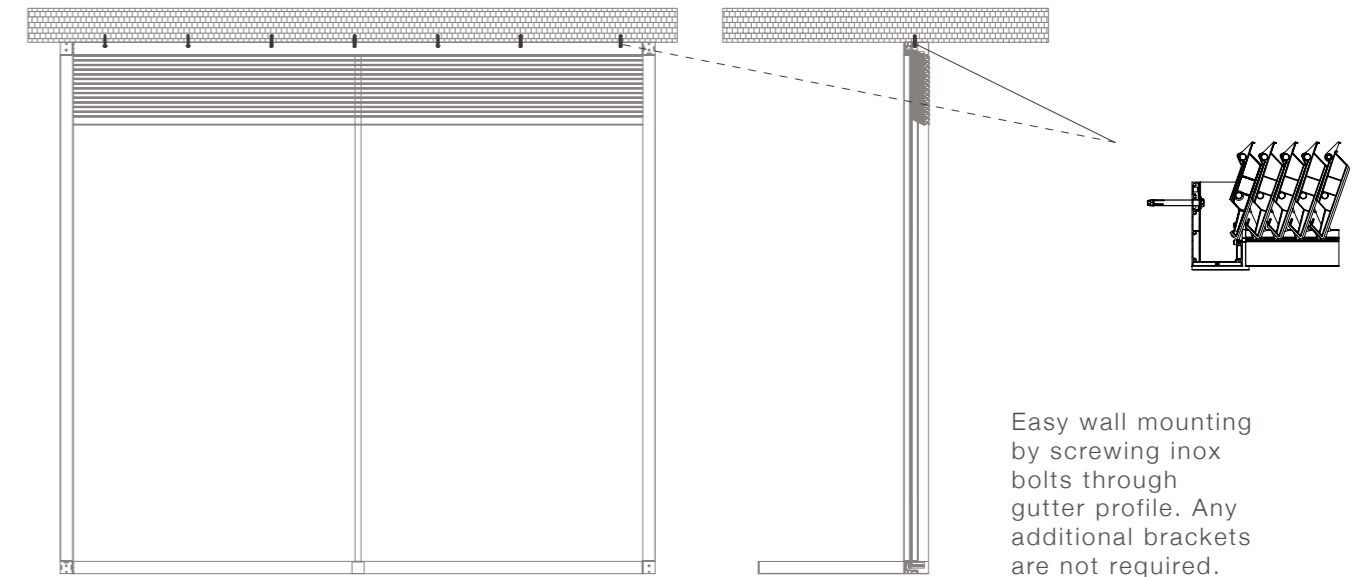
Hang Bracket Types & Mounting

One Section



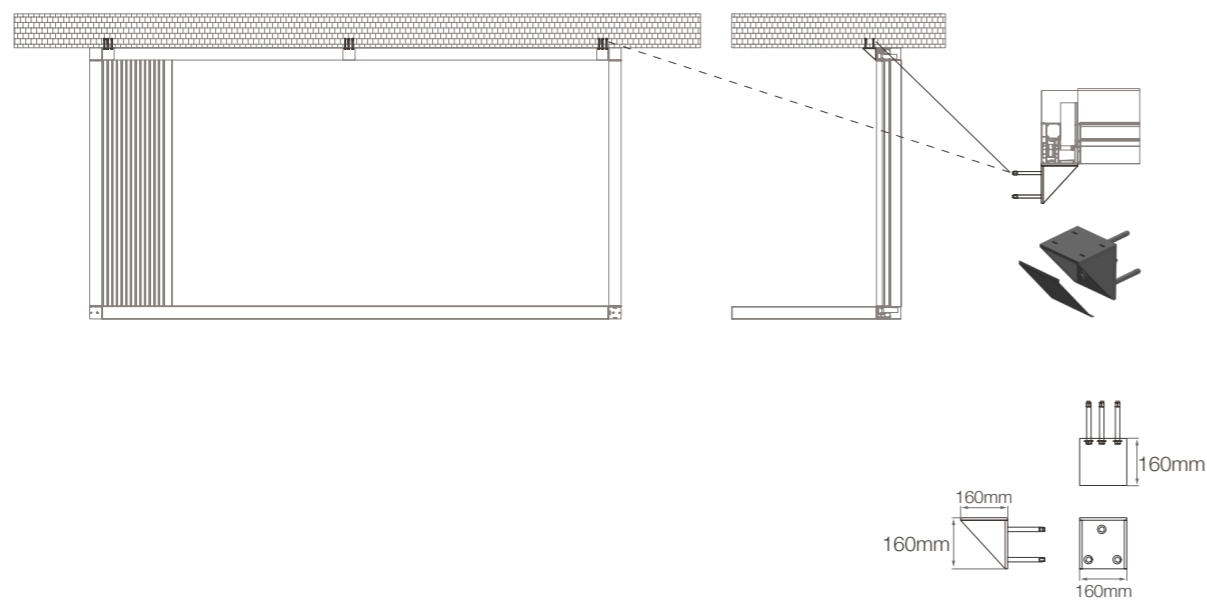
Easy wall mounting by screwing inox bolts through gutter profile. Any additional brackets are not required.

Two Sections

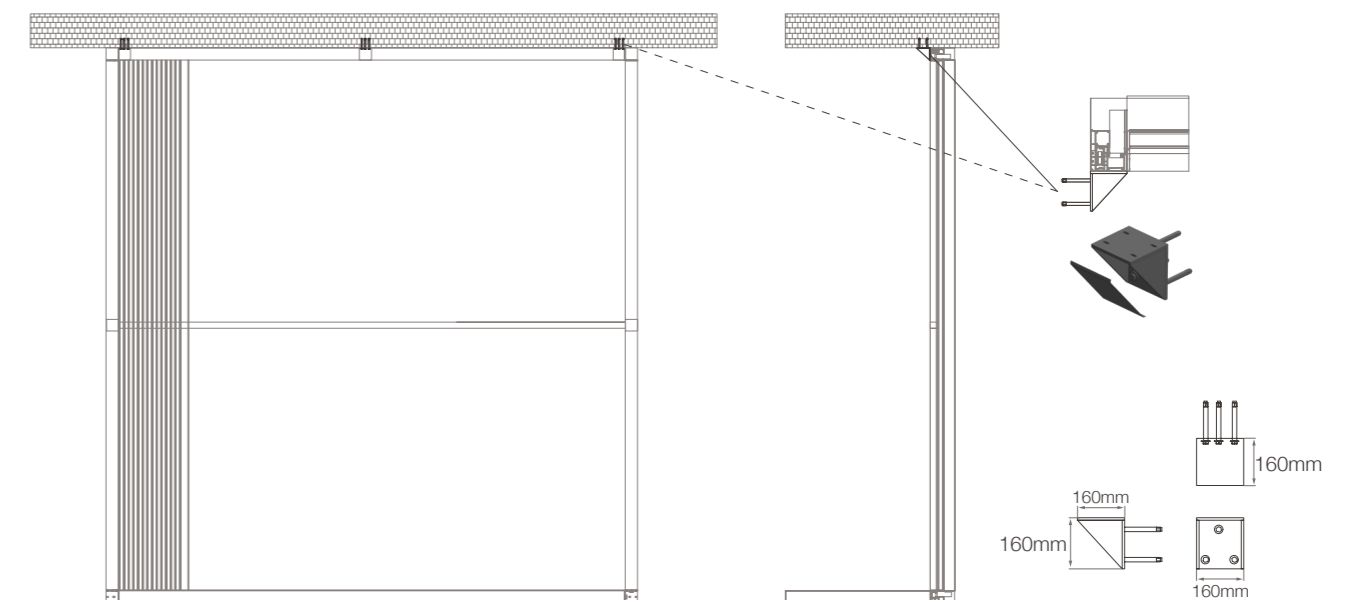


Easy wall mounting by screwing inox bolts through gutter profile. Any additional brackets are not required.

Vertical Mounting Outer Wall Bracket (Inox) With Optional Cover Cap

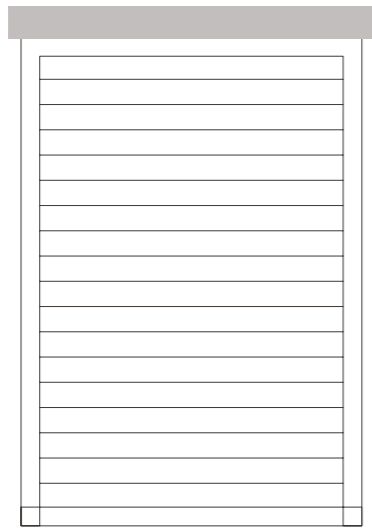


Vertical Mounting Outer Wall Bracket (Inox) With Optional Cover Cap

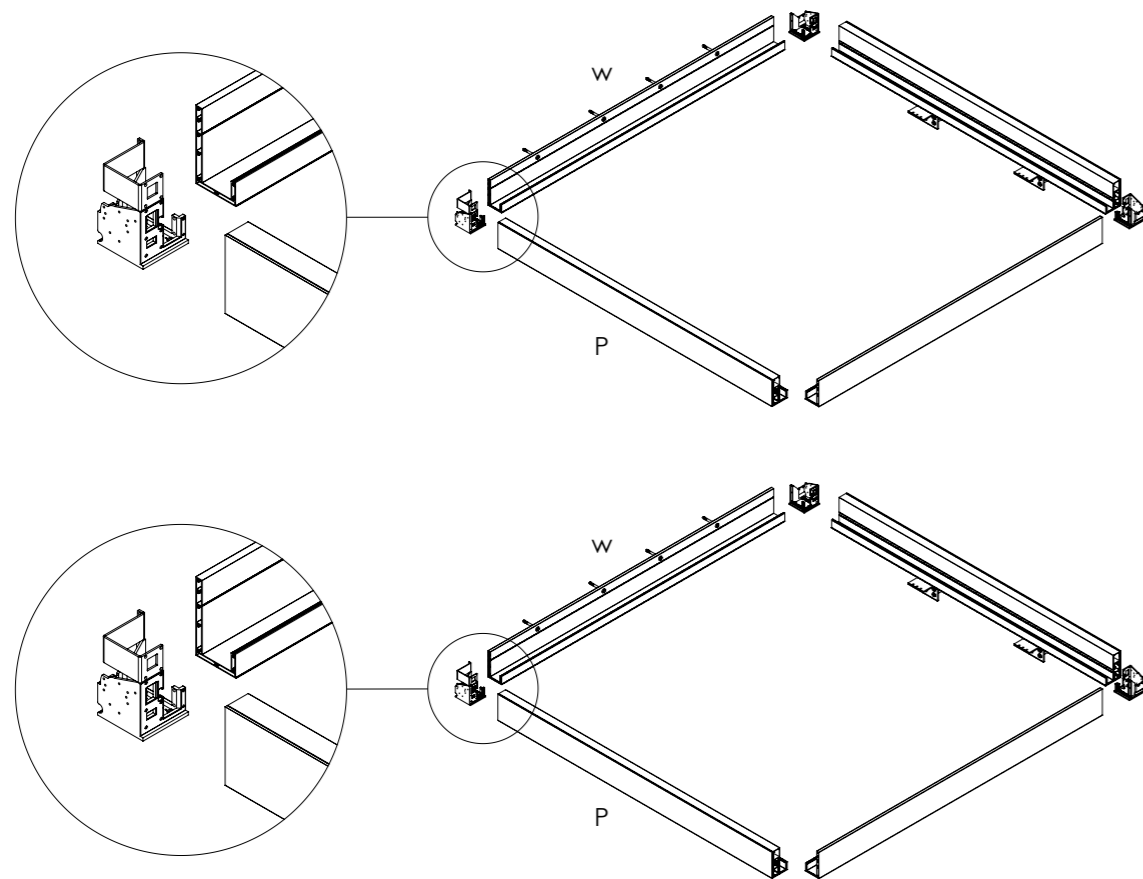
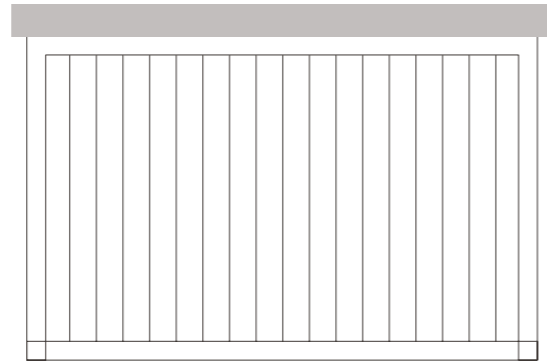


Wall Installation Louvre Positions

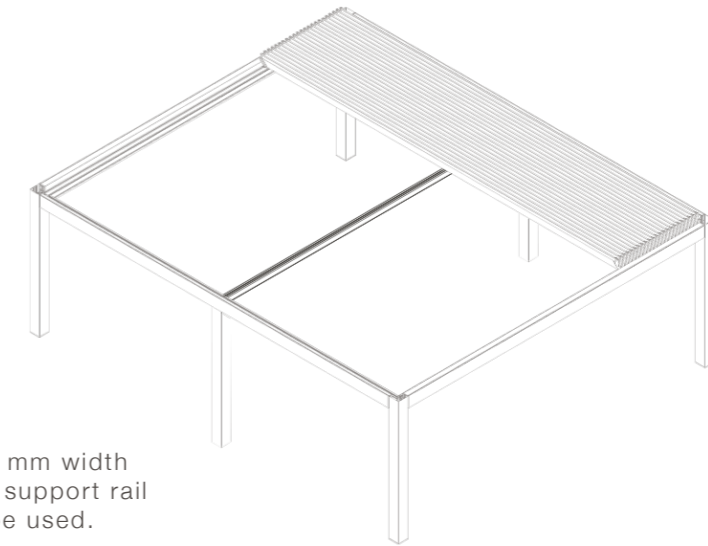
Parallel To Wall



Vertical To Wall

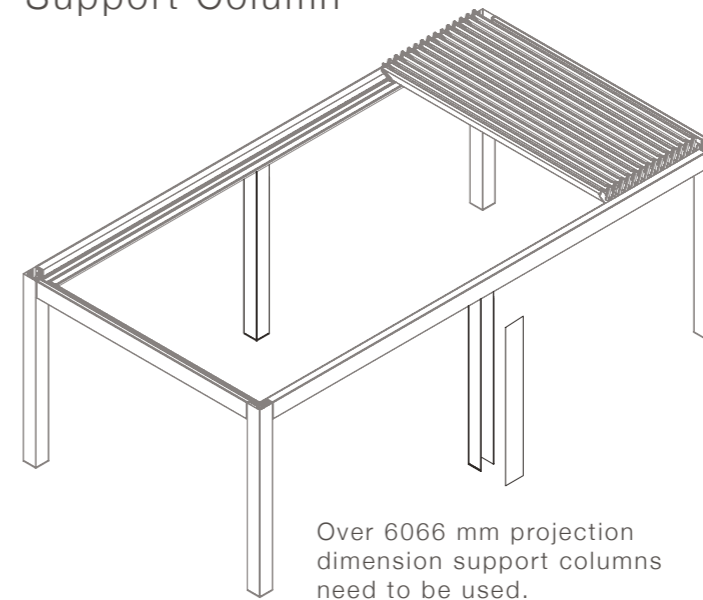


Support Rail

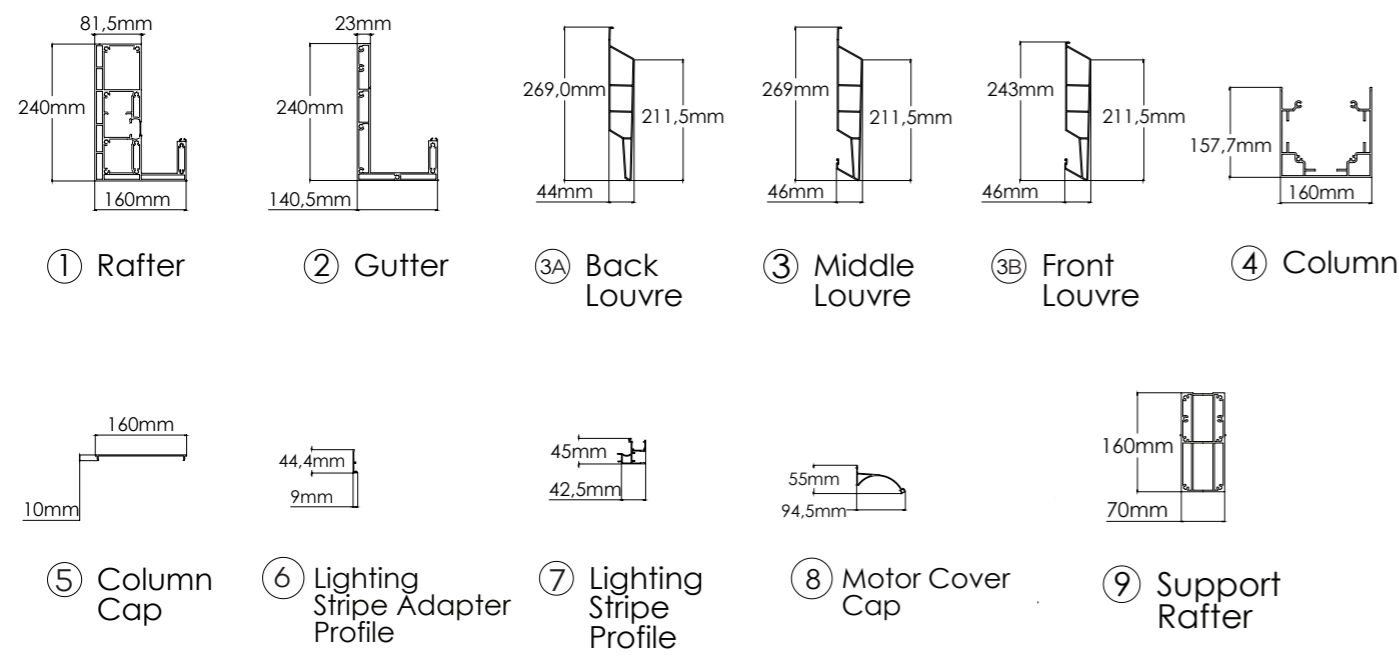
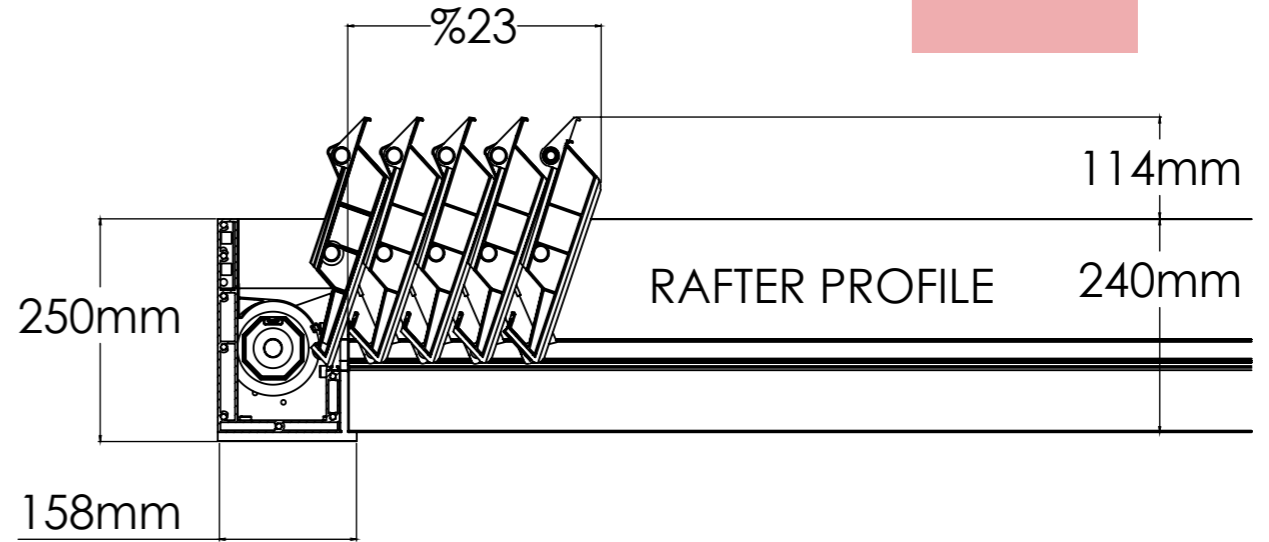
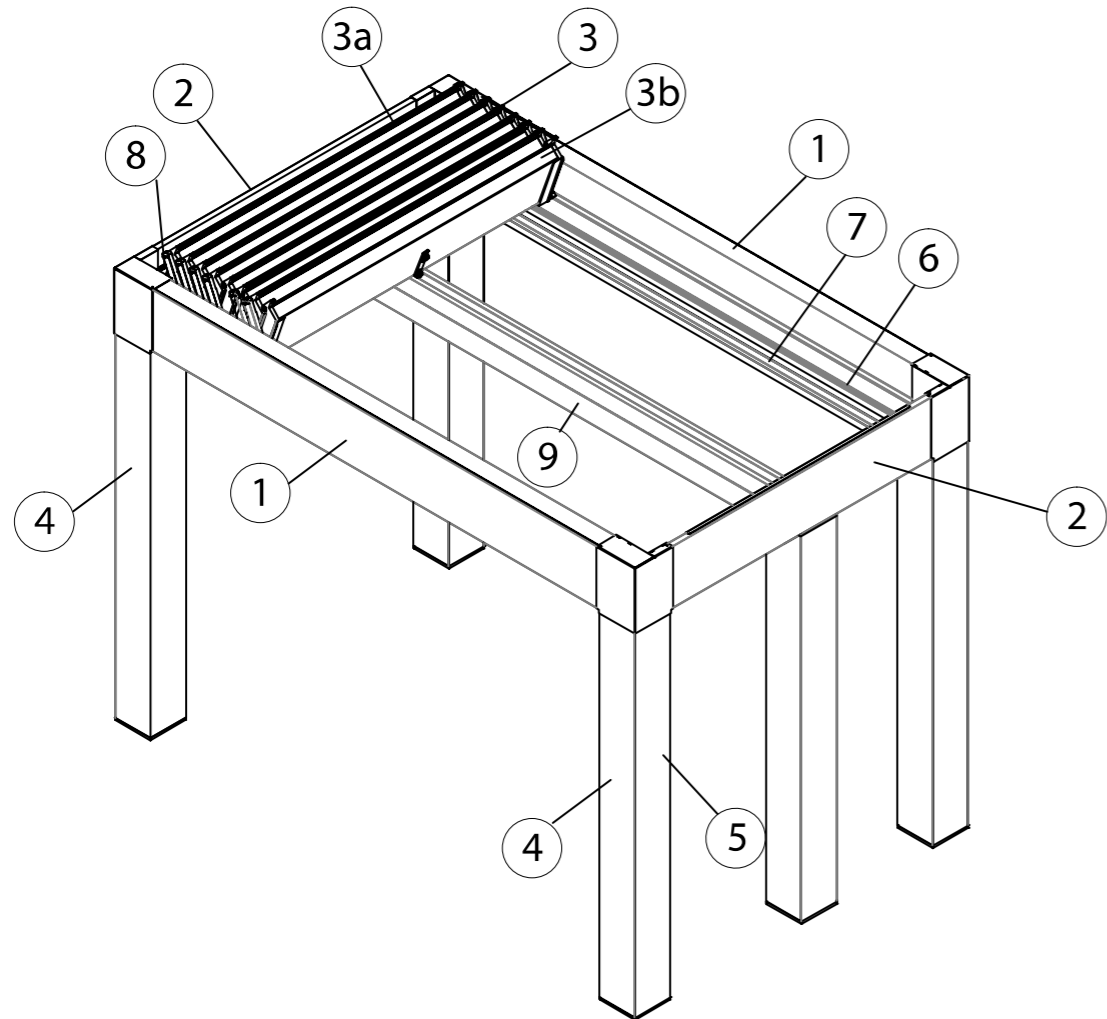


Over 4500 mm width dimension support rail needs to be used.

Support Column



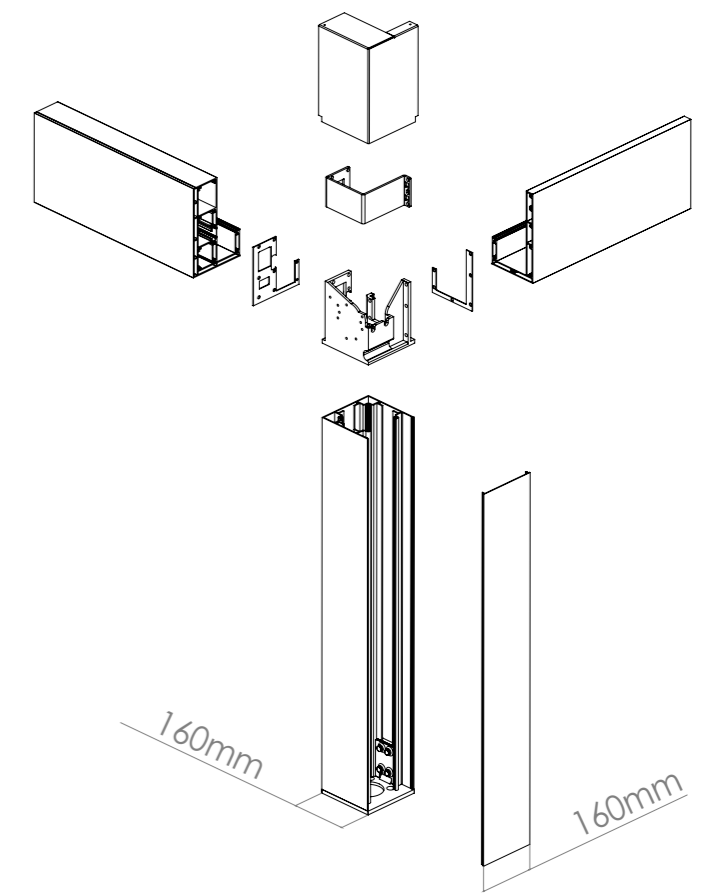
Over 6066 mm projection dimension support columns need to be used.



Column Connection

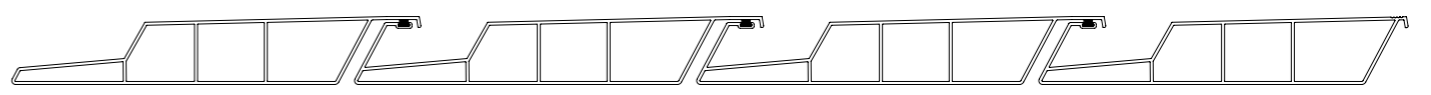
Thanks to ease of column base assembly each column can be installed practically through a series of simple operations that guarantee installation quality and speed to reduce number of staff required.

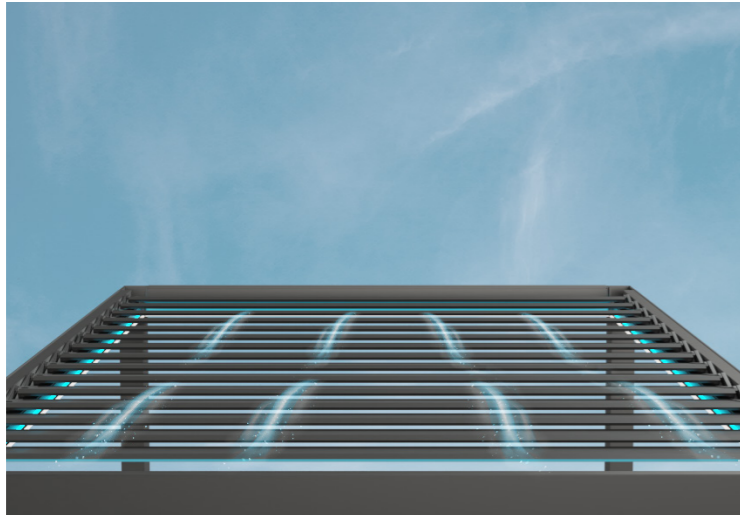
The front column cap can be pulled out simply and inner column cavity conceals the wiring cables of heater, speaker and automation to provide clean appearance.



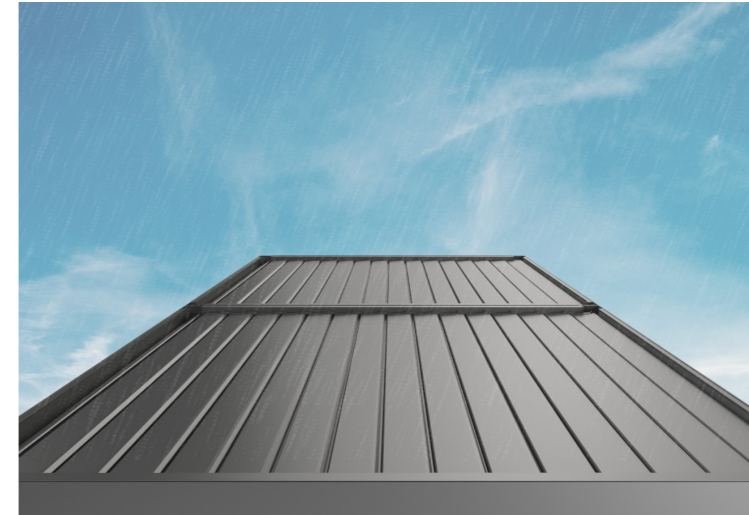
Louvre Stormguard Seal

Sealing solution stops water dripping over louvre gutter channel by providing a soft cushioning barrier between point of louvre junction.

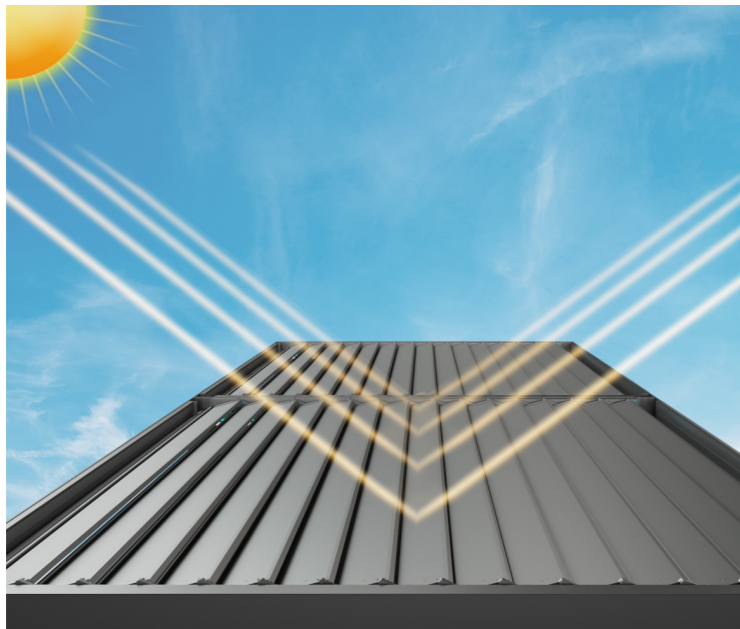




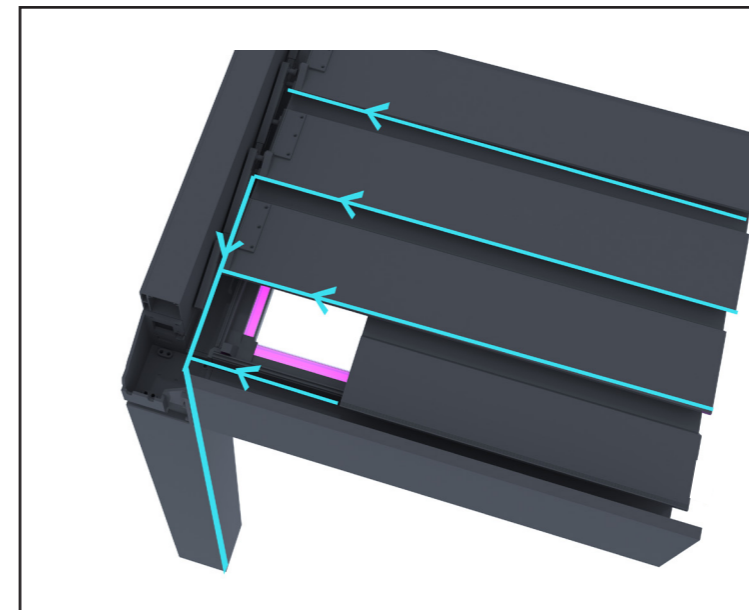
Slightly opening of louvres creates natural air flow for application areas.



Ensuring waterproof coverage when louvres are in fully closed position.



Protecting from sun exposure while ensuring air ventilation under the system .



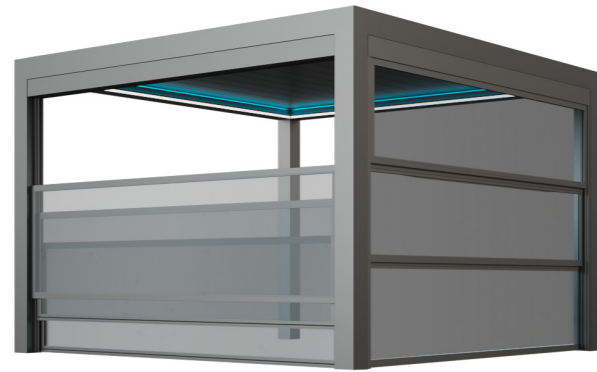
Each channel on louvres drain the water through four sided gutters connected with columns.



Functional seal entegrated on louvre channels provides maximum protection from water dripping.



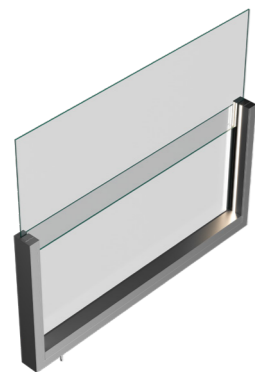
Closures



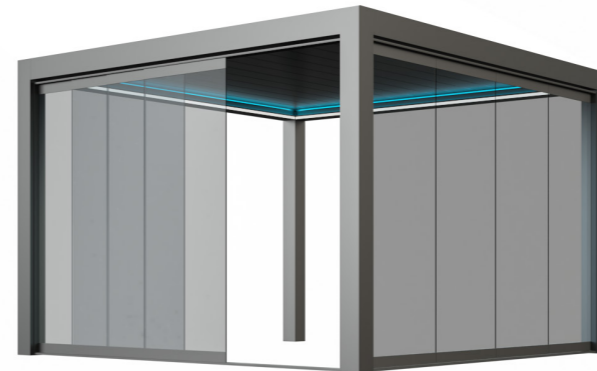
Sapphire/Cycle Guillotine Glass System
System can be adapted to Exxen system and offers a maximum clear span that provides unobstructed view & minimalistic style. The system is operated by just the touch of button.



Framee Sliding Glass System
Minimal line of Framee system is perfectly matching with modern architectural Exxen system by insulated fine-framed sliding glass panels. System offers a comfortable sliding with easy individual movement.



Swind-Motorised Windbreaker System
Swind can be combined with also Exxen system and offers adequate wind breaking with the option of total transparency by incorporating the function of balustrade. Thanks to led stripe dimmer lighting integrated side frame the fixed panel assigns distinctive appeal. The system is modular and completely flexible as there are no limits in the horizontal direction that can be used to surround spaces of all types and sizes.



Slidia Sliding Glass System
The combination of the sliding glass system with Exxen ensures efficacious protection from wind and rain. The aluminium frames which cover each glass panel provide maximum safety standards and practicality with elegance details.



Violet Glass Balustrade System
The adaptability of Violet fixed balustrade glass with Exxen creates a stunning visual transparency without lacking of obstruction to lines of sight. The stylish lighting solution that is integrated underneath the glass highlights attractive aspect of the design by amplifying overall aesthetic of outdoors. Thanks to flexible and multiple modular implementations, system can be used to cover comprehensive areas without limitation in the horizontal direction.



Vertex Zip Screen System
The minimalist, slimlane, contemporary design of the zip system provides comfortable shade and protects against the UV rays. The system includes motorised aluminium structure, entirely powder-coated with stainless steel bolts and screws.

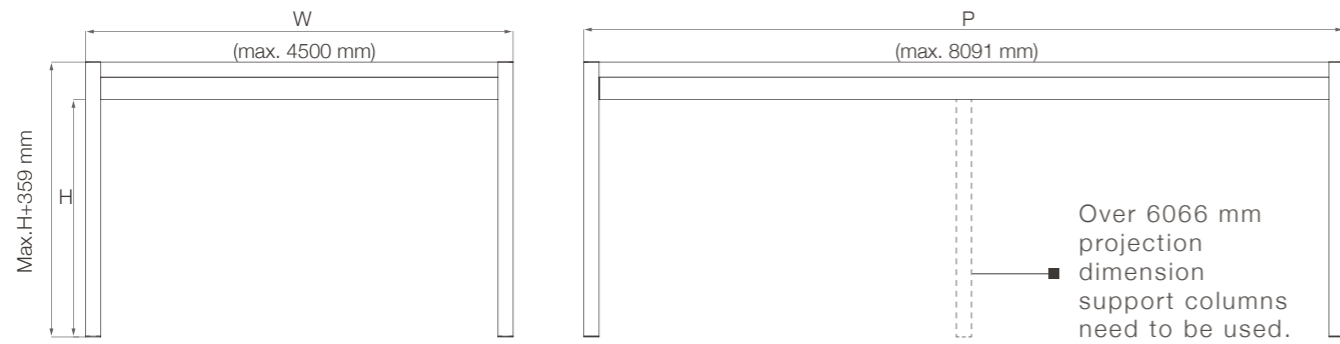


Wallfix Fixed Side Enclosure
The unique designed privacy of Wallfix side enclosure can be combined with Exxen system to optimise outdoor living areas visually.



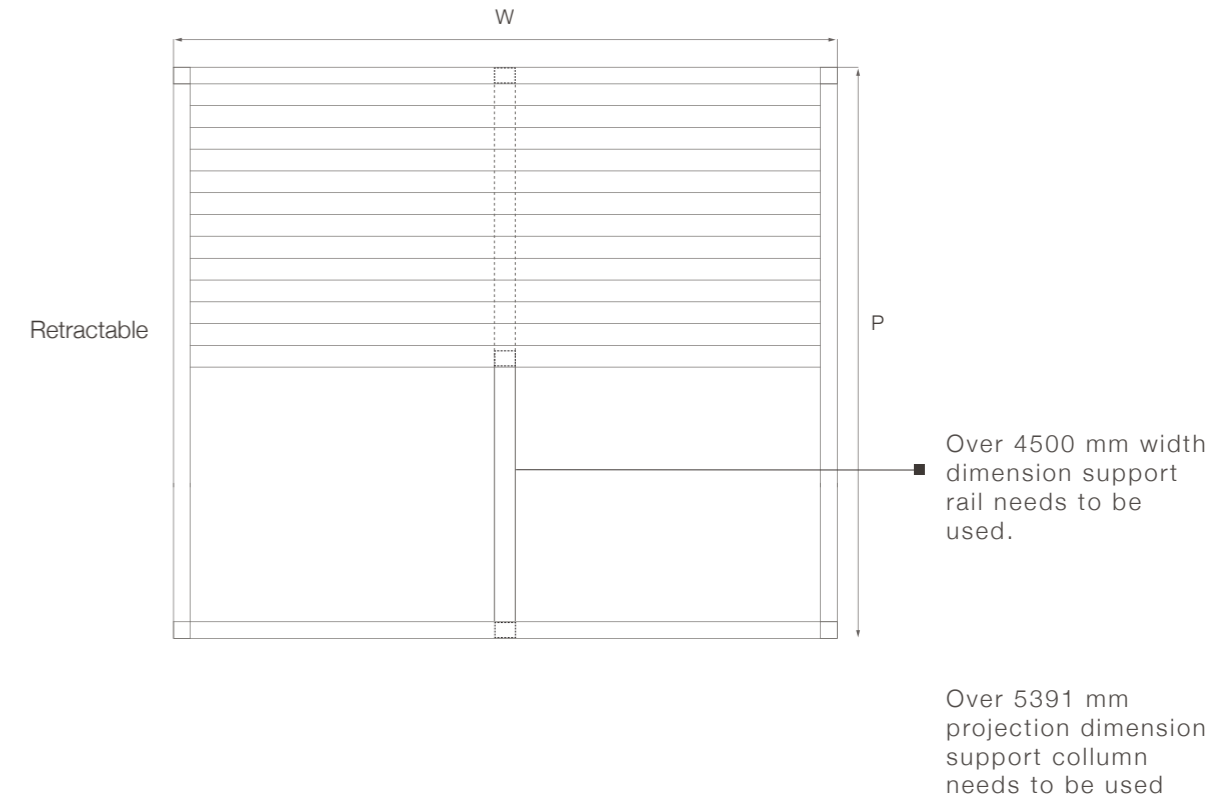
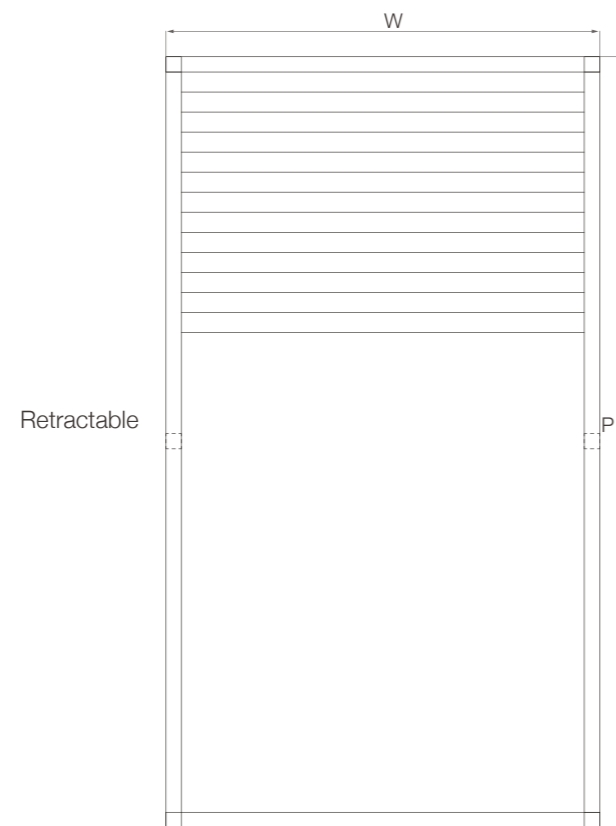
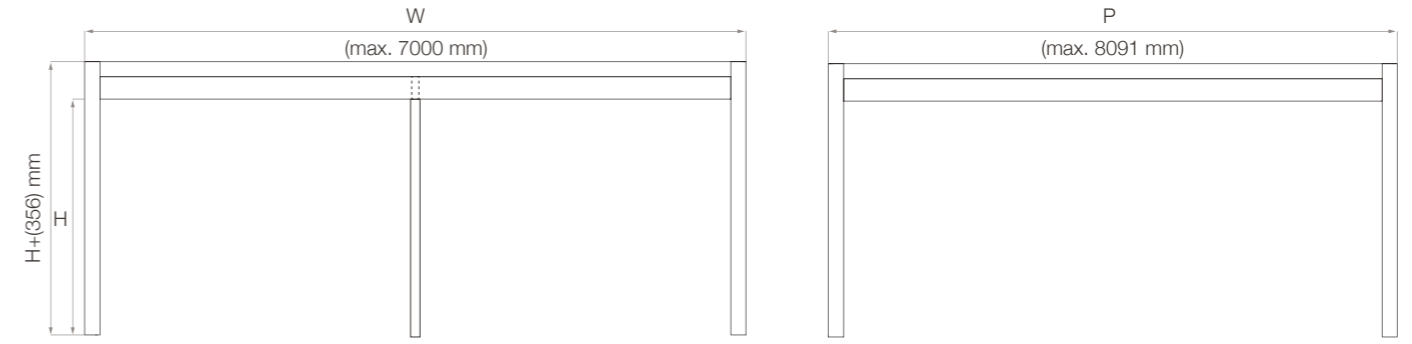
Single Module
One Section

W: 1200 mm < 4500 mm
P: 1566 mm < 8091mm



Single Module
Two Sections

W: 4501 mm < 7000 mm
P: 1566 mm < 8091 mm





Order Form



EXXEN

Company Name:
Order Reference:

Order Date:

INSTALLATION TYPES

- Self Standing
- Wall Mounting
 - Louvres Parallel to Wall
 - Louvres Vertical to Wall

QUANTITY: pc

If modules are multiple and each module is in different width or projection, please provide details for single module max.:

DIMENSIONS

W - Total Width..... mm
 P - Projection mm
 H - Post Height..... mm
 Total Number of Posts Required pc

- Type 1
- Type 2
- W1 mm P1 mm
- W2 mm P2 mm

POWDER-COAT COLORS

Structure

- | Exclusive colors | Texture colors | |
|--------------------------------|---------------------------------|------------------------------------|
| <input type="checkbox"/> OGN35 | <input type="checkbox"/> ST9010 | <input type="checkbox"/> Other ... |
| <input type="checkbox"/> OS561 | <input type="checkbox"/> ST9001 | |
| <input type="checkbox"/> OY395 | <input type="checkbox"/> ST1013 | |
| <input type="checkbox"/> OGN39 | <input type="checkbox"/> ST7039 | |
| <input type="checkbox"/> ON617 | <input type="checkbox"/> ST7016 | |
| <input type="checkbox"/> ON611 | <input type="checkbox"/> ST8019 | |

Louvres

- | Exclusive colors | Texture colors | |
|--------------------------------|---------------------------------|------------------------------------|
| <input type="checkbox"/> OGN35 | <input type="checkbox"/> ST9010 | <input type="checkbox"/> Other ... |
| <input type="checkbox"/> OS561 | <input type="checkbox"/> ST9001 | |
| <input type="checkbox"/> OY395 | <input type="checkbox"/> ST1013 | |
| <input type="checkbox"/> OGN39 | <input type="checkbox"/> ST7039 | |
| <input type="checkbox"/> ON617 | <input type="checkbox"/> ST7016 | |
| <input type="checkbox"/> ON611 | <input type="checkbox"/> ST8019 | |

LED LIGHTS

- Led Stripe Dimmer Lighting
 - Cool White
 - Day Light
 - RGB Led - Hidden Stripe Lighting
 - Cycle Mode
 - Single Cycle (Standard)
 - Multiple Cycle
- *Cycle mode should be selected for multiple systems.

SENSORS

- Rain Sensor
- Wind Sensor
- Sun Sensor
- Wind&Sun Sensor

OPTIONALS

- Additional Supporting Post
- Insulation Foam

COLUMN BASE OPTIONS

- Hidden (Standard)
- Flange
- Flange With Cover Cap

FLANGE POSITIONS

- Type A
- Type B
- Type C

DRAINAGE TYPES

- Type I
- Type II
- Type III
- Type IV

PACKAGING

- Standard
- Wooden Crate
Extra cost

ADDITIONAL NOTES & DRAWINGS ATTACHED

Technical Details

Technical Details



Max. width for single module	4500 mm (One Section) / 7000 mm (Two Sections)
Max. projection single module	8091 mm (One Section) / 8091 mm (Two Sections)
Rafter profile dimension	160x240 mm
Gutter profile dimension	140x240 mm
Post dimension	160x160 mm
Louvre dimension	268 mm
Louvre quantity in max. size	35 pcs
Louvre can be tilted up to	70°
Louvres parking area	%27
Automation	included
Control unit	included
Led Stripe Dimmer lighting	optional
RGB Led - Hidden Stripe lighting	optional
Insulation foam	optional
Edge Cover	optional
Flange	optional
Rain Sensor	optional
Wind Sensor	optional
Sun Sensor	optional
Wind&Sun Sensor	optional

Technical Specifications Exxen

Spacious Retractable Scissors Roof System

Description

Exxen is a bioclimatic covering solution that ensures comfort and relief with its retraction and large span.

Dimensions

One module

One Section

Width 1200 mm < 4500 mm

Projection 1566 mm < 8091 mm

Column Height 3000 mm

Two Sections

Width 4501 mm < 7000 mm

Projection 1566 mm < 8091 mm

- Blocked assembly for customized modules with a wide range of flexible combinations.

Technical Characteristics

- Extruded aluminium frame, blades & gutters - clean edges.
- Electrostatic powder-coated frame.
- High-quality aluminum extrusion profiles (Aluminium Alloy 6063-T6).
- Concealed screws to offer clean finish.
- High grade stainless steel connection components.
- High strength timing belt for balanced movement inside rafters.
- Large span with 7000mm dimension.
- Projection availability up to 8091mm dimension.
- Remote control for operation of mechanism and lighting.
- Double-walled aerofoil louvres with superior strength and durability.
- Adjustable louvres for any position.
- Extended open sky when roof retracted.
- Dimmer option to adjust lux intensity.
- Antibacterial insulation foam which can be integrated into the louvre to provide sound and heat insulation.
- Air and water insulation between joining axis of multiple applications is provided by U profile.



- Applicability of guillotine, sliding / sliding frame / folding glass and zip systems.
- Fully waterproof coverage when louvres are in fully closed position.
- Functional seal integration on louvre channel to prevent water leaking and provide extra insulation.
- Seal integration along structure for water insulation and temperature resistance.
- The water is flowed down to the main gutters by special drainage channels along the louvres and drained through columns.
- Optional edge cover profile which complete smooth design.
- Hidden direct drive double shaft motorbox with Somfy® motor operates retracting motion.
- Production in compliance with CE, ISO 9001, ISO 1400 and NVA standarts.
- In addition to standart RAL colors, Exclusive and Texture range aluminium.

II | Profile Section Dimensions

Rafter	: 160 mm x 240 mm x 3 mm
Gutter	: 140 mm x 240 mm x 3 mm
Column	: 160 mm x 160 mm x 3 mm
Louvre	: 268mm x 45 mm x 2 mm

III | Installation Methods

- Individual modules can be customised according to specified finish up to 4500mm width and 8091mm projection (one section) or finish up to 7000mm width and 8091mm projection (two sections) with flexible installation methods such as integration into existing frameworks, wall mounting and free standing for larger outdoor areas.
- System can be assembled as single or multiple modules.

IV | Columns

- Dimensions: 160 x 160 mm x 3 mm
- Simple column assembly.
- 3 different column base options: Hidden, Flange, Flange With Cover Cap.

V | Weather Resistance

Wind Resistance

- Wind rating up to Beaufort number 10 (up to 102km/h).

Water Drainage

- The four sided gutter for completely ensured waterproofness.
- Water drainage with an intensity of 155 L/h/sqm that last up to 2 minutes maximum.

VI | Additional Equipments

- Heater, speaker or other automations can be integrated into the system.
- Rain and wind sensor can be adapted.
 - Rain sensor closes the blades automatically when it rains.
 - The blades should be closed when wind speed reaches to 102 km/hour to save under warranty terms.

VII | LED Lighting

Integrated RGB-Led Hidden Stripe and Led Stripe Dimmer Lighting on sides within the structure.

- Led Stripe Dimmer Lighting

Cool White, 120 LEDs/m | +6000-6500K | 1130 lumens/m

Day Light, 120 LEDs/m | +3000-3500K | 1094 lumens/m

- RGB Led-Hidden Stripe Lighting

96 LEDs/m

VIII | Sensors

Rain, wind, sun and wind & sun sensor can be adapted for an optimum level of comfort. These smart sensors are designed to respond fully automatic based on weather conditions in a specific situation. It functions as a protection against unexpected weather conditions. Sensors will activate an automated system that close/retract the roof and protect the furniture & underneath of covered area even if you are not able to control the system.

Wind sensor

Wind sensor monitors the gust of wind then retract your outdoor product to protect it against unexpected strong winds and offers constant protection.

The wind speed value required to do this is set directly at the sensor. If the wind picks up significantly wind sensor will retract the roof depending on a pre-set wind speed. Thanks to ease of installation and minimal cabling it can be setup simply.

Sun sensor

Sun sensor provides automatic control of your outdoor coverings based on sunlight levels. It is used to respond to the intensity of the sun by controlling your pergola system accordingly.

It will adjust your roof position based on the sunlight intensity allowing you to control the sun light entering your house.

The sensor will close the roof when sunlight exceeds the set threshold automatically to create a comfortable outdoor living area by increasing energy efficiency and protecting furnishings from UV damage.

The sun sensor will activate and close the roof according to amount of light decreases.



Rain sensor

Rain sensor will automatically detect the rain and close your roof to prevent raindrops falling through open roof systems even if you are not able to control the system.

If rain is detected the pergola will be closed and the remote control will be needed to open it back.

Wind & Sun Sensor

Wind & Sun Sensor can be used together. Once the sun is above the sensitivity level the roof will close automatically to offer maximum convenience. If the wind picks up significantly wind sensor will retract the roof depending on a pre-set wind speed.

IX | Closures

Systems can be completely enclosed with Sapphire automatic vertical glass system, Swind windbreaker system, Violet, Framee, Slidia or motorised Vertex zip for further protection from the elements.

Sapphire

Sapphire is an automatic vertical guillotine glass system enriched with patented worm shaft technology.

- Systems can incorporate framed tempered 8 mm and 10 mm single or 4mm+12mm+4mm / 5mm+10mm+5mm double insulated glazing.
- Optional 2 or 3 panels configurations are available up to 4 meters width and 3 meters height or 3 meters width and 3,5 meters height.
- Electrostatic powder-coated frame.
- Operation is motorised.
- Upwards or downwards parking position options.
- Fixed panels can be used as balustrades.
- The position of movable panels can be adjusted according to desired height.
- Thanks to strengthened counterweight movement mechanism motor provides balanced&silent up/down operation.
- Fully hidden motor drive.
- Switch, remote or smart home control availability.
- Fine frames with thermal and sound insulated rubber seals.
- Wide open view with up to 4 meters width vertical glass panels.

Cycle

Cycle is an automatic vertical guillotine glass system with strengthened chain mechanism.

- Systems can incorporate framed tempered 4mm+9mm+4mm double insulated glazing.
- Optional 2 or 3 panels configurations are available up to 4 meters width and 3 meters height or 3 meters width and 3,5 meters height.
- Electrostatic powder-coated frame.
- Motorised operation with switch, remote or smart home control availability.

- Upwards or downwards parking position options.
- Balustrade usage ability with the handrail design that covers the glass panels.
- The position of movable panels can be adjusted according to desired height.
- Thanks to strengthened counterweight movement mechanism motor provides balanced&silent up/down operation.
- Fully hidden motor drive.
- Protected usage with safety sensor.
- Fine frames with thermal and sound insulated rubber seals.
- Easy assembly & disassembly with compact guide profile consisting of four parts.
- Wide open view with up to 4 meters width vertical glass panels.

Swind

Swind is an automatic vertical up-down glass panel.

- Electrostatic powder-coated frame.
- Extruded aluminium fix panel frame.
- Concealed screws to offer clean finish.
- Horizontal counterweight for smooth motion.
- High strength belt mechanism for balanced movement.
- 10mm fixed and 8mm up-down automatic moveable tempered glass panels.
- Frameless moveable glass panel for unobstructed view.
- Led stripe dimmer lighting integrated side frame / invisible electrical cables.
- Remote control for operation of mechanism and lighting.
- Fast opening-closing cycle.
- Fully hidden compact direct drive motor system.
- Ease of installation with single or multiple modules.
- Portability with optional wheel integration.
- Availability of usage as balustrade in closed position.
- Transparent panels in standards besides Smoked, Green, Blue and Bronze color options.

Violet

Violet glass balustrade system.

- Concealed screws to offer clean finish.
- Glass fixed pane is 8+1.52 pvb+8mm.
- Led stripe dimmer lighting integrated underneath the glass / invisible electrical cables.
- Remote control for operation of lighting.
- Ease of installation with single or multiple modules.



- Availability of usage as Hand Rail (Optional).
- Compact & Easy Assembly.
- Transparent panels in standards besides Smoked, Green, Blue and Bronze color options.

Framee

Framee, sliding glass system with fine-framed double glazed panels.

- Double insulated glass (6+12+6mm).
- Transparent sliding glass panels in standard besides of Blue, Green, Smoked and Bronze glass color options.
- Electrostatic powder-coated frame.
- Handle with Click Lock on first panel and Handle with Hidden Lock on the last panel on internal side of sliding panels for security measures.
- Combination availability with Vertex Zip System for sun protection.
- Available with 2,3 or 4 rails up to maximum 8 panels combined with side or central openings.
- Natural, stainless steel and black anodise color options.

Slidia

Slidia is a sliding glass system with individual parallel glass panels.

- Electrostatic powder-coated frame.
- Features slim aluminum glass profiles.
- Individual panels can be moved horizontally with single or double slide options.
- Bottom wheel carriages with double rollers ensure optimum and smooth running even with wide glass panels.
- Successive panels can be moved by the grap mechanism.
- Height adjustable wheel carriages up to 5mm.
- Sloped rail design for efficient drainage.
- Anodised bottom rail for easy and smooth movement.
- Rain and wind resistance by double sided transparent gaskets (standard), transparent gaskets with brush or aluminum slats with brush.
- Brush and rubber cord for high frame insulation.
- Anti-slip rubber ensures safety passage and also offers ease of rail surface cleaning.
- Transparent sliding glass panels in standard besides of Blue, Green, Smoked and Bronze glass color options.
- Internal or external locking of the sliding panels by optional key lock for security measures.
- Flush Circle and Push & Pull Bar handle types and Allen&Key lock.
- Combination availability with Vertex Zip System for sun protection.
- Available with 3 or 5 rails up to maximum 10 panels, combined with side or central openings.

Vertex Zip System

Vertex is a motorised external blind system.

- It provides comfortable shade and protects against the UV rays.
- The system includes motorised aluminium structure.
- Each screen has a pair of identical side channels.
- Entirely powder-coated with stainless steel components.
- Maximum protection against solar radiation and penetration of heat while preserving the optimal level of natural light in the interior and contact with environment.
- The production technology of fabrics ensures a high resistance to external influences such as wind or changes in temperature and humidity.

Wallfix

Wallfix is an aluminum louvered fixed wall system.

- Electrostatic powder-coated frame.
- High-quality aluminum extrusion profiles (Aluminium Alloy 6063-T6).
- Compact & Easy Assembly with click louvre connection.
- Clean finishes with hidden joining details.
- Extruded aluminium fine line fixing frame.
- Concealed screws to offer clean finish.
- Large span with 6000mm dimension.
- Sound and heat insulation with double layered louvre (panel) design.
- Maximum safety with block assembly.

Doors

Glass door

- Frameless hinged and frameless hydraulic glass doors are available.
- Single tempered glass (10mm).
- Available with single panel and double panels (each panel in maximum 1000mm).
- Flush Circle and Push & Pull Bar handle types and Allen&Key lock.
- Transparent panels in standards besides Smoked, Green, Blue and Bronze color options.
- Handle position height can be adjusted as desired (Standard height value is 110cm).
- Allen&Key lock for security.

Framed glass door

- Hinged and hydraulic framed glass doors are available.



- Electrostatic powder-coated frame.
- Available with double insulated single panel and double panels (each panel in maximum 1000mm).
- Double insulated glass (4+11+4mm).
- Transparent panels in standards besides Smoked, Green, Blue and Bronze color options.
- Handle position height can be adjusted as desired (Standard height value is 110cm).
- Internal or external locking of the sliding panels by optional key lock for security measures.
- Push & Pull Bar handle types.
- Pull Handle/ Lock.

Photocell Door

- Aluminum framed automatic glass door.
- Electronic lock.
- Possibility of manuel usage in emergency situations.
- Electrostatic powder-coated frame.
- Available in Laminated glass (4+4mm).
- Single panel and double panel options (each panel in maximum 1000mm).
- Fast opening-closing cycle and insulation materials for preserving heat balance between indoor and outdoor.
- Transparent panels in standards besides Smoked, Green, Blue and Bronze color options.
- One side button or double side button and double sided transition control types.

X | Structure Color Options / Finishes

- The products are available with a wide range of colour options in standard or architectural textured coatings.
- In addition to standard RAL colors, Exclusive and Texture range aluminium colors can be offered.
- QualiMarine and Qualanod finishes are also available beside of Qualicoat finishes.

XI | Warranty

	Exxen	Sapphire	Cycle	Swind	Violet	Framee	Slidia	Vertex	Wallfix
Structure& Coating	5 years	5 years	5 years	5 years	5 years	5 years	5 years	5 years	5 years
Mechanics	2 years	2 years	2 years	2 years	N/A	2 years	2 years	2 years	N/A
Motor&Control Units	2 years	2 years	2 years	2 years	N/A	N/A	N/A	2 years	N/A
Lighting& Control Units	2 years	N/A	N/A	2 years	2 years	N/A	N/A	N/A	N/A

*End user and installation defects are not covered.

Overview

Operations

⇌ Retractable



Lighting Options

Led Stripe Dimmer Lighting

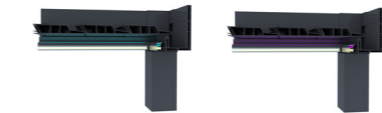
Cool White



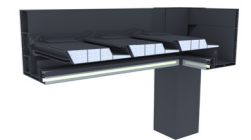
Day Light



RGB Led-Hidden Stripe Lighting



Optional Insulation Foam



Installation Types

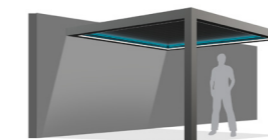
Self Standing Single Module



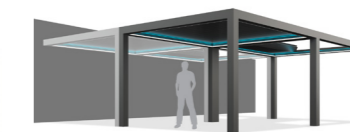
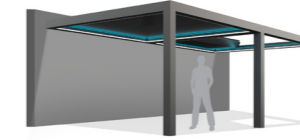
Self Standing Multiple Modules



Wall Mounting Single Module



Wall Mounting Multiple Modules



Sensors

Rain Sensor

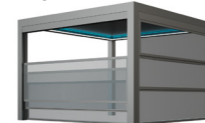
Wind Sensor

Sun Sensor

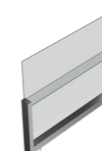
Wind&Sun Sensor

Closures

Sapphire& Cycle



Swind



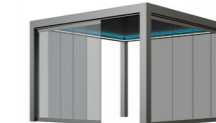
Violet



Framee



Slidia



Vertex



Wallfix

